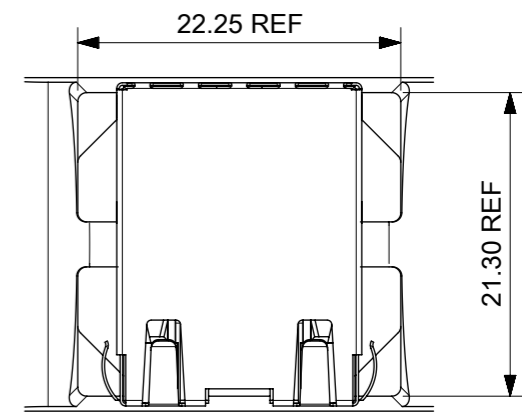
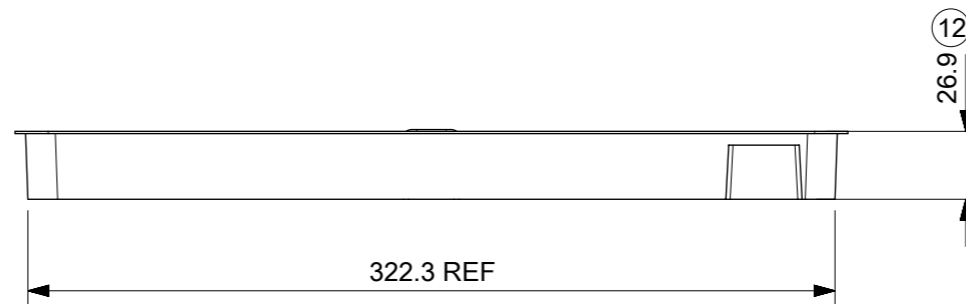
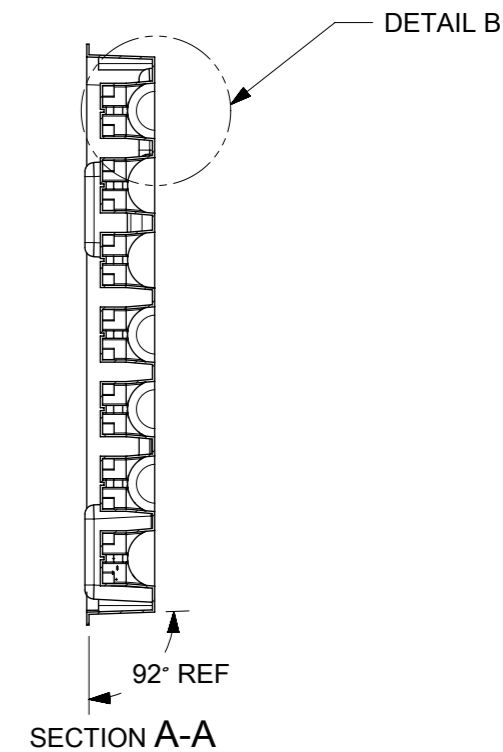
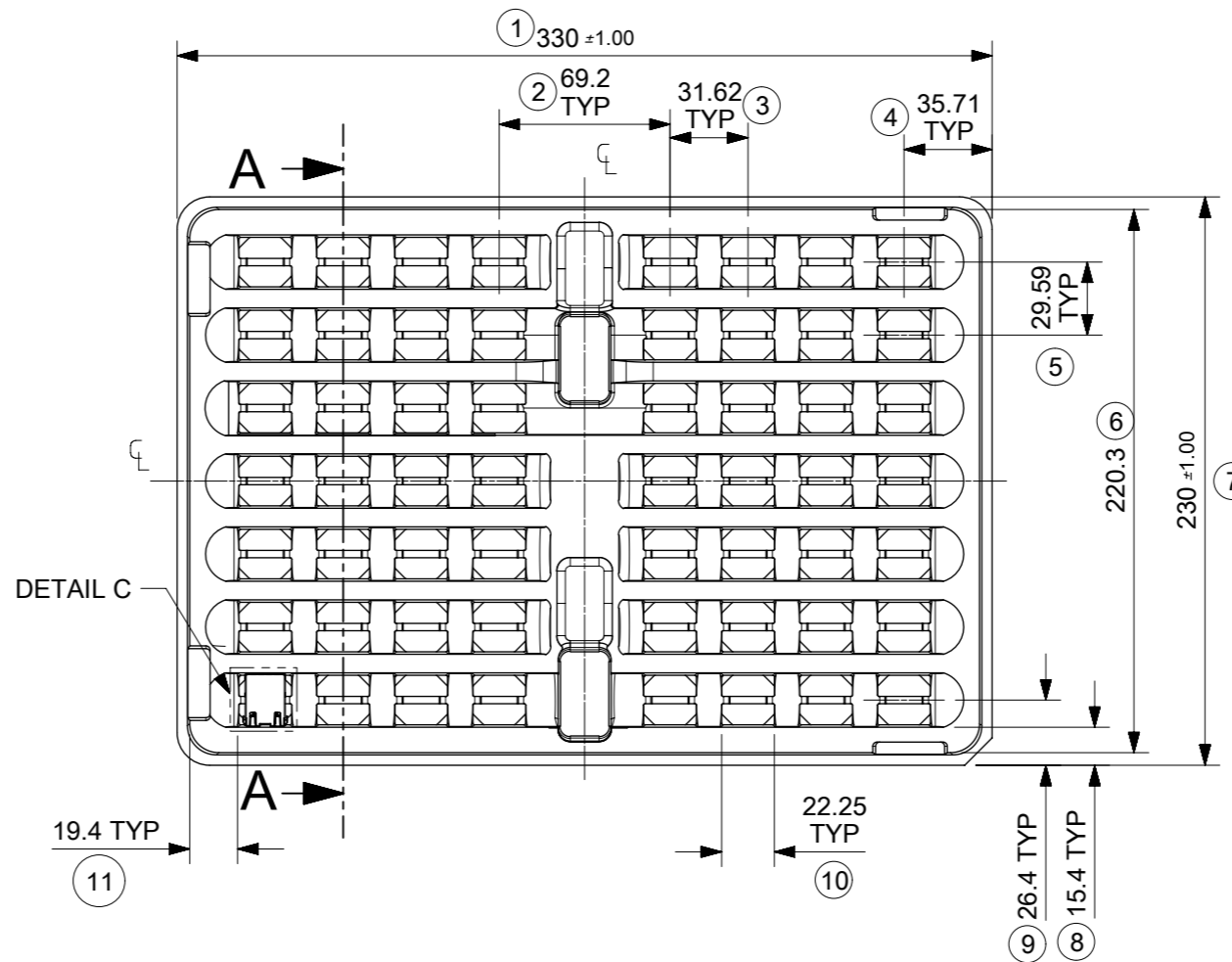


DETAIL B



DETAIL C
SCALE 2:1

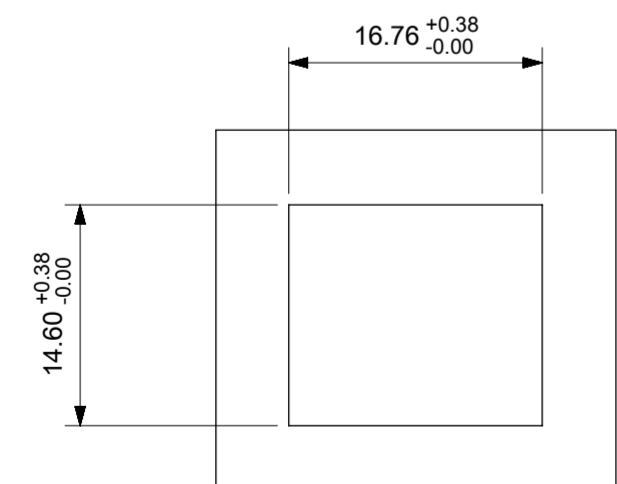
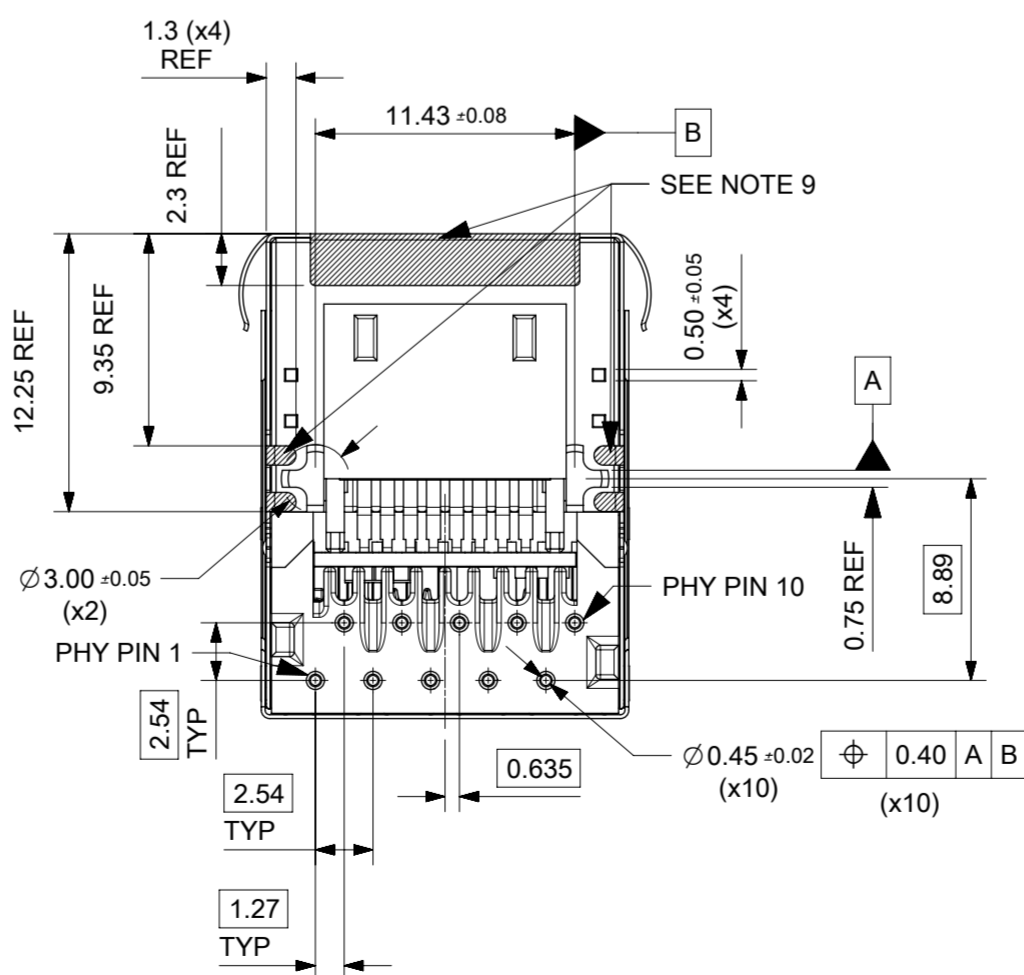
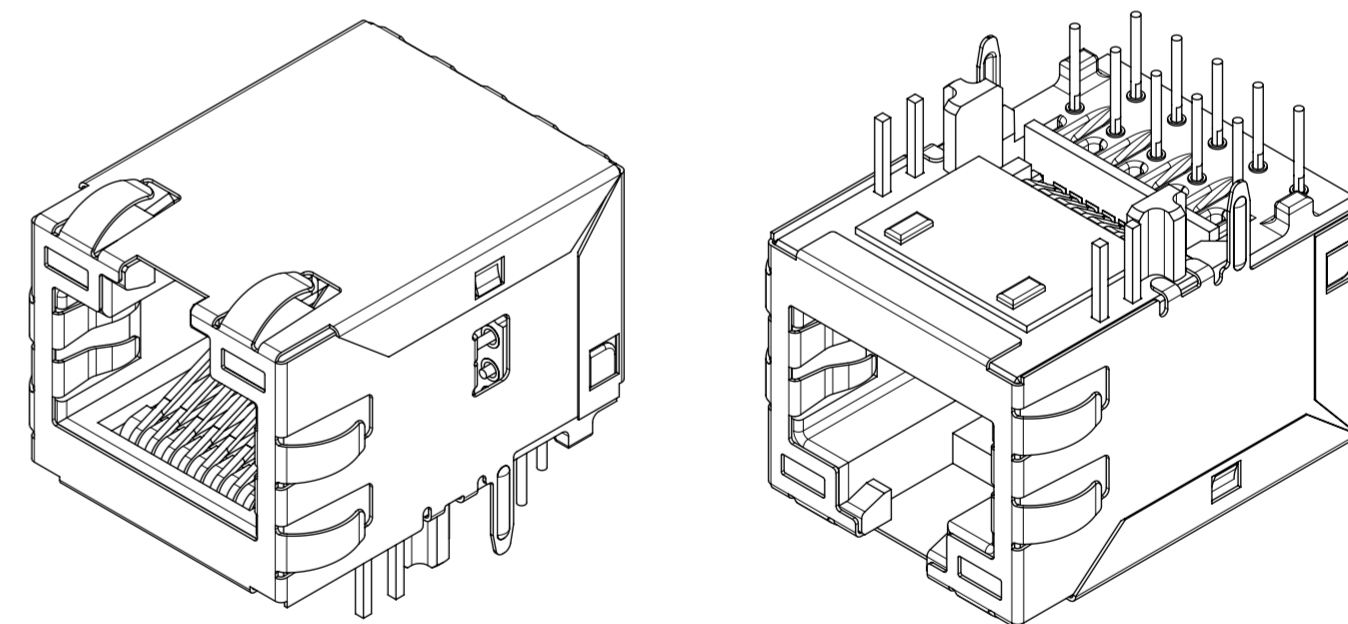
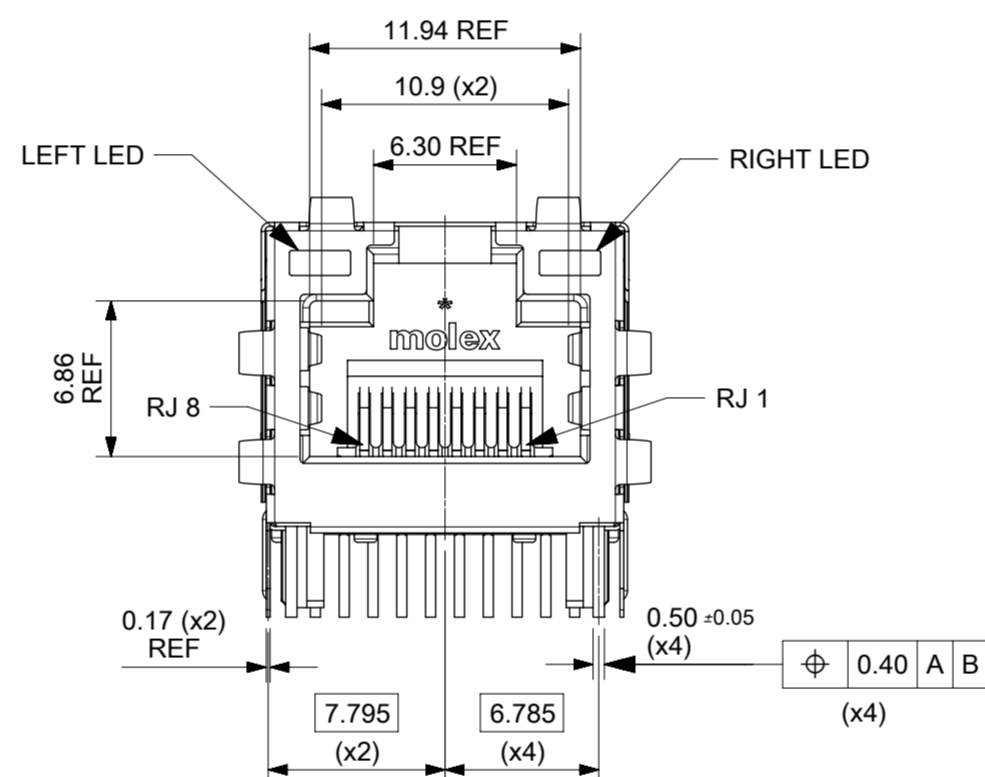
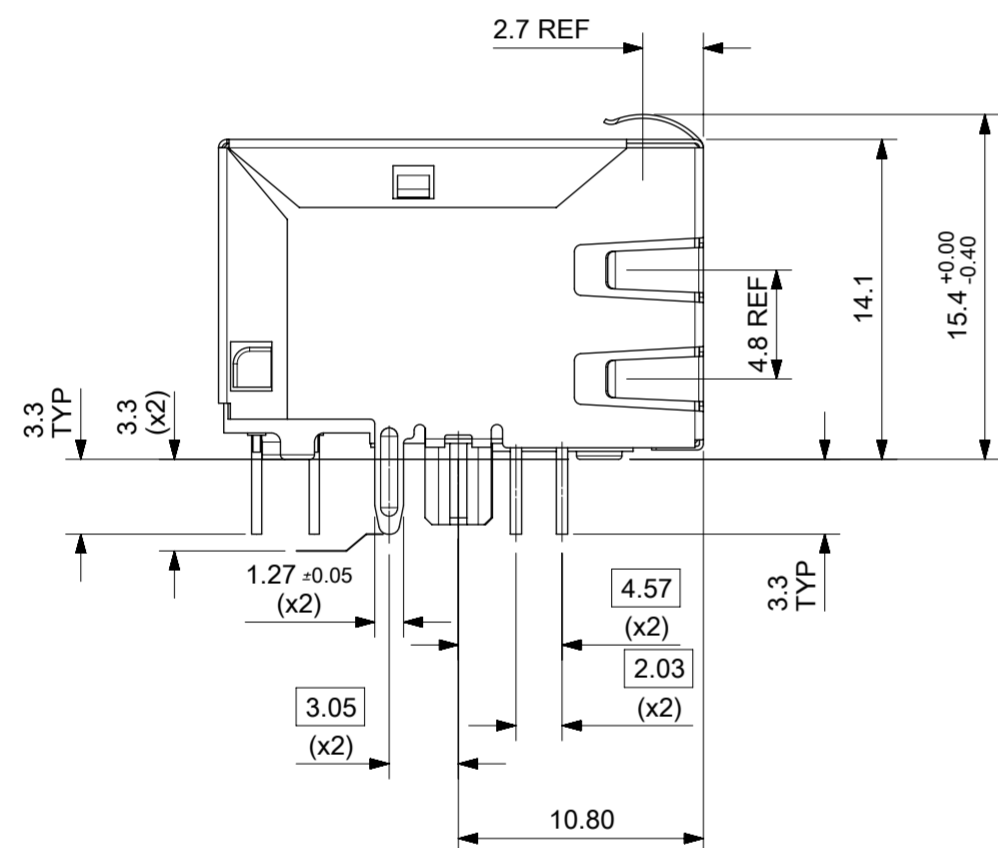
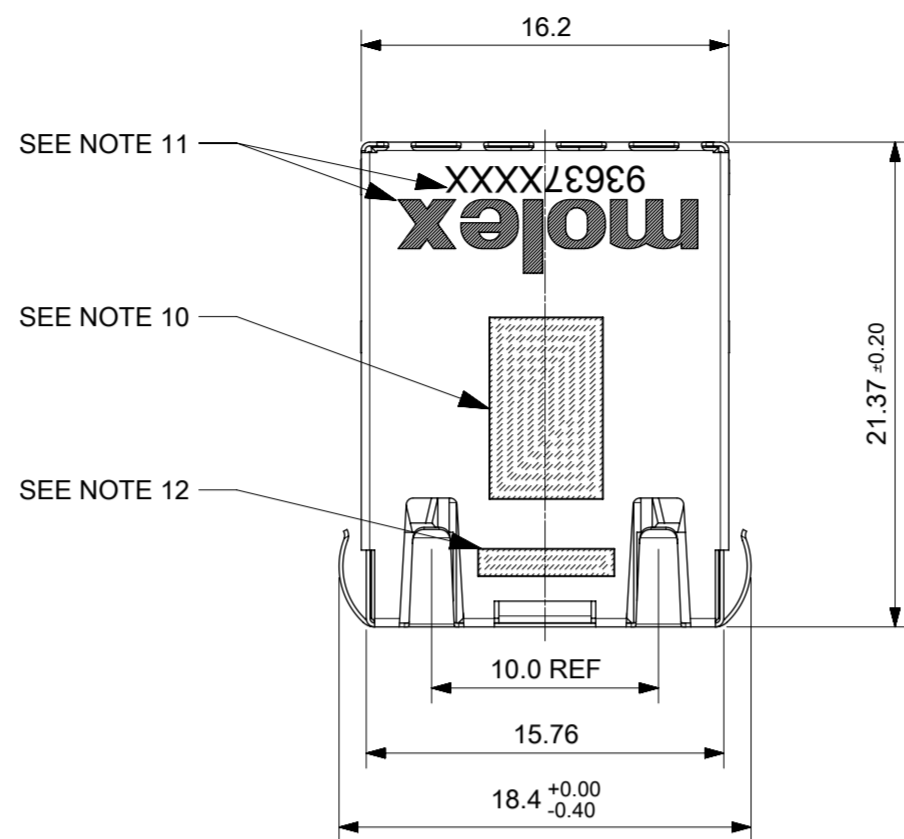


- NOTES:
1. MATERIAL: PETA ANTISTATIC
 2. THICKNESS: 0.9 mm ± 0.05 mm
 3. COLOUR: CLEAR
 4. BOW 2 mm MAXIMUM PER 330 mm
 5. TWIST 2 mm MAXIMUM PER 330 mm
 6. TRAY PART NO. AND RECYCLE LOGO TO BE CLEARLY MARKED ON TRAY
RECYCLE LOGO SHOULD BE APPROPRIATE TO MATERIAL USED
 7. WHERE RELEVANT, DIMENSIONS SHOULD BE SYMMETRICAL ABOUT THE CENTRELINE
 8. GENERAL PROFILE TOLERANCE $\frac{\text{M}}{0.40}$ ON NON DIMENSIONED FEATURES

LAST INSPECTION NUMBER USED: 12

THIS DRAWING CONTAINS INFORMATION THAT IS PROPRIETARY TO MOLEX ELECTRONIC TECHNOLOGIES, LLC AND SHOULD NOT BE USED WITHOUT WRITTEN PERMISSION									
DIMENSION UNITS		SCALE		CURRENT REV DESC: REMOVED REFERENCE TO QUANTITY OF TRAYS PER STACK				molex	
mm		1:3							
GENERAL TOLERANCES (UNLESS SPECIFIED)				EC NO: 602124				MXMAG STANDARD AND INVERTED TRAY	
ANGULAR TOL ± 1.0°				DRWN: DSHEA		2018/09/07			
4 PLACES ±				CHK'D: DBYRNES		2019/01/25			
3 PLACES ±				APPR: DBYRNES		2019/01/25			
2 PLACES ± 0.2				INITIAL REVISION:				PRODUCT CUSTOMER DRAWING	
1 PLACE ± 0.5				DRWN: KREILLY		2016/05/06		DOCUMENT NUMBER	
0 PLACES ±				APPR: STGRIFFIN		2016/12/07		934620003	
DRAFT WHERE APPLICABLE MUST REMAIN WITHIN DIMENSIONS		THIRD ANGLE PROJECTION		DRAWING		SERIES		MATERIAL NUMBER	
		A3-SIZE		93462		990250150		CUSTOMER	
						GENERAL MARKET		SHEET NUMBER	
								1 OF 1	

INVERTED PROFILE MAGNETIC JACK
GIGABIT ETHERNET W/LED
AND W/SHIELD TABS

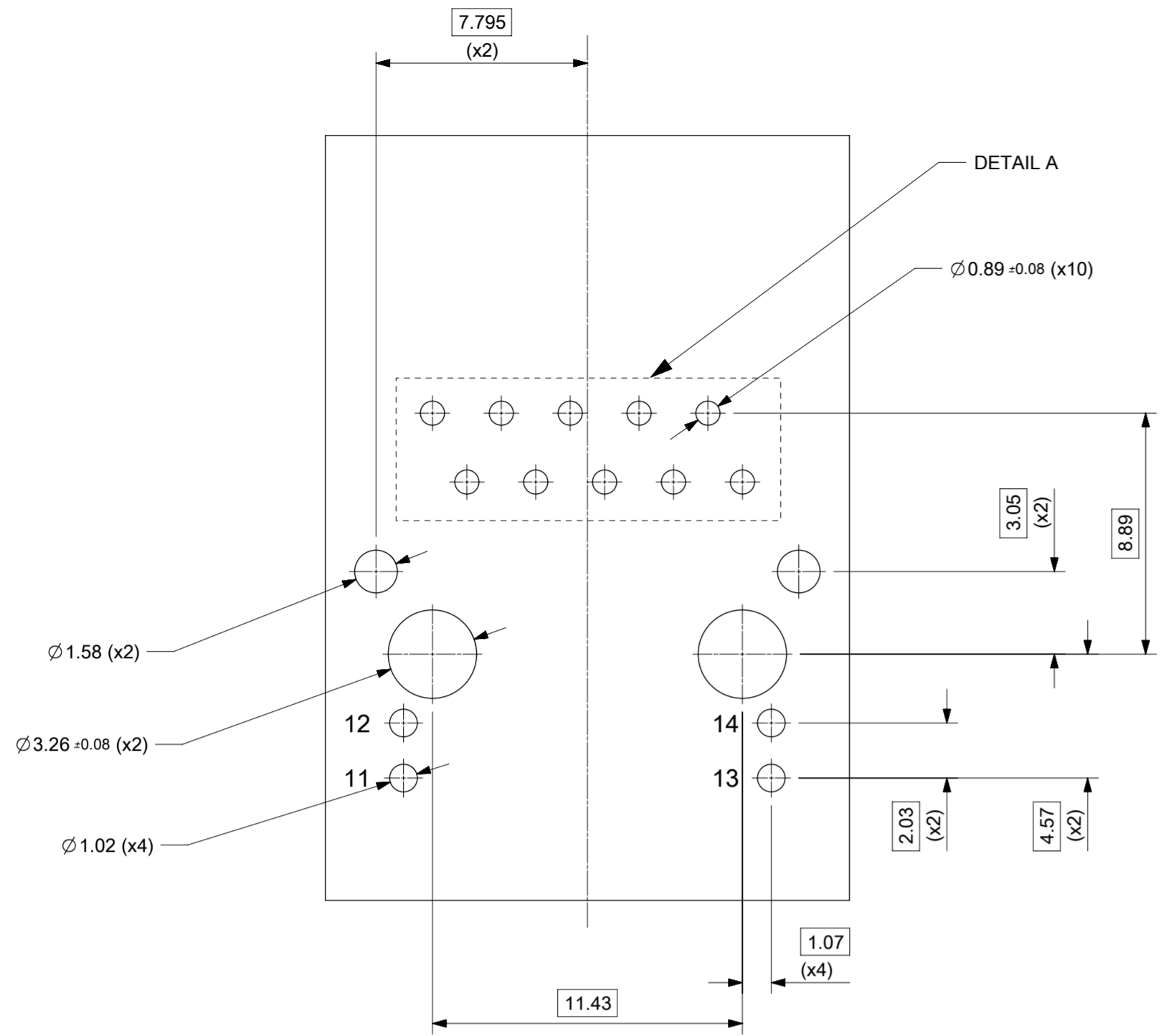


SUGGESTED PANEL CUT-OUT

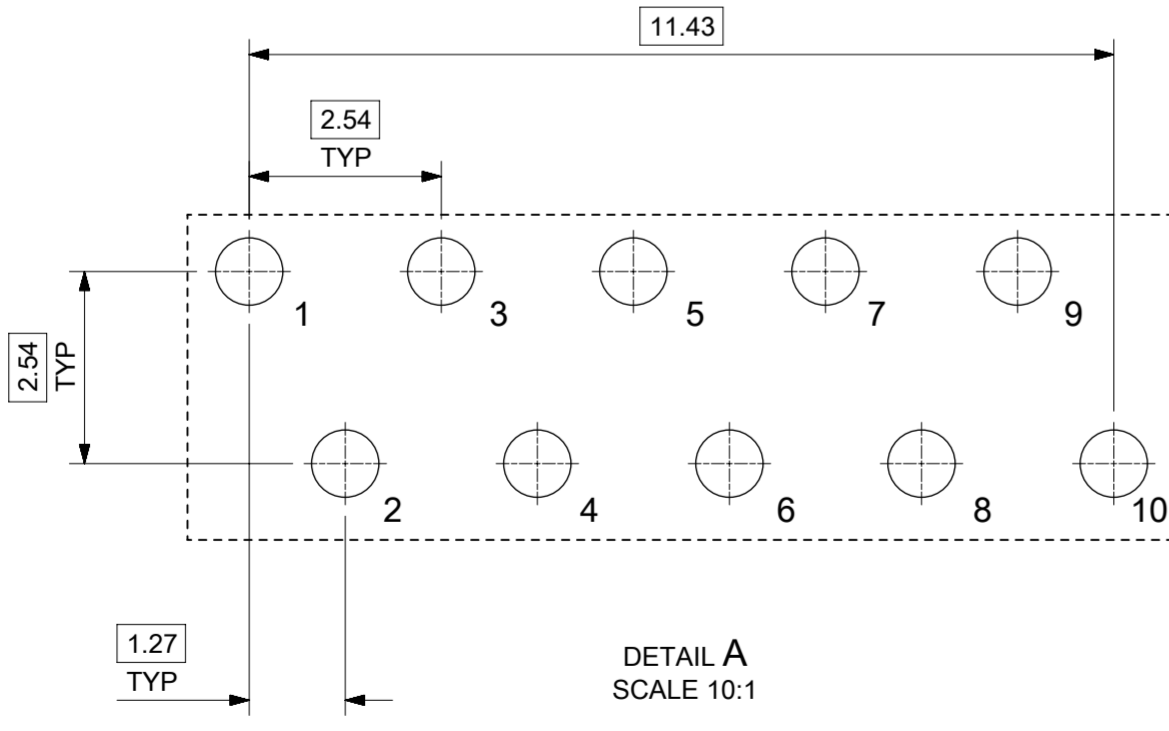
- NOTES:
- SHIELD MATERIAL: 0.17 mm THICK BRASS PRE-PLATED WITH NICKEL SOLDER TABS POST DIPPED WITH MIN 1.27 μm TIN
 - HOUSING MATERIAL: LCP, BLACK, UL 94V-0
 - TERMINALS MATERIAL: PHOSPHOR BRONZE
RJ45 CONTACTS PLATING: BASE NICKEL PLATED WITH GOLD FLASH OVER PALLADIUM NICKEL. REFER TO 934620001 PSP PHY SOLDER TAILS: COPPER ALLOY
 - MATING INTERFACE ACCORDING TO IEC 60603-7 & TIA-1096-A
 - PRODUCT SPECIFICATION: 934620001 PSP
 - PACKAGING SPECIFICATION: 934620001 PSK TRAY
 - STAND OFF TO SYSTEM BOARD 0.30 mm MIN
 - RECOMMENDED PCB THICKNESS: 1.57 mm
 - SHIELD: AVOID ROUTING ANY TRACES OR PLACING ANY VIAS BELOW THESE AREAS
 - AREA FOR PICK AND PLACE: 5.0 mm X 8.0 mm
 - INSCRIPTION MARKED BY LASER:
1st : MOLEX
2nd : P/N (SEE BOM)
 - INSCRIPTION MARKED BY LASER:
DATE CODE(DAY/WEEK/YEAR)
 - MATERIAL COMPLIANT TO RoHS DIRECTIVE 2002/95/EC

THIS DRAWING CONTAINS INFORMATION THAT IS PROPRIETARY TO MOLEX ELECTRONIC TECHNOLOGIES, LLC AND SHOULD NOT BE USED WITHOUT WRITTEN PERMISSION

REVISED EC NO: 116686 DRWN: KREILLY CHKD: DSHEA APPR: DBYRNES	2017/05/09	GENERAL TOLERANCES (UNLESS SPECIFIED)	DIMENSION UNITS	SCALE			
	2017/09/12	ANGULAR TOL ± 2.0 °	mm	3:1			
	2017/09/26	4 PLACES ±	DRWN BY	DATE		INV MX-MAG 12 CORE GIG W/LEDS W/SHIELDS	
		3 PLACES ±	KREILLY	2015/09/29			
		2 PLACES ± 0.1	CHK'D BY	DATE		PRODUCT CUSTOMER DRAWING	
	1 PLACE ± 0.2	DBYRNES	2017/02/22				
	0 PLACES ±	APPR BY	DATE	SERIES	MATERIAL NUMBER	CUSTOMER	
	DRAFT WHERE APPLICABLE MUST REMAIN WITHIN DIMENSIONS	STGRIFFIN	2015/11/19	93637	SEE TABLE ON SHEET 2	GENERAL MARKET	
		DRAWING SIZE	THIRD ANGLE PROJECTION	DOCUMENT NUMBER	DOC TYPE	DOC PART	SHEET NUMBER
		A2		936370003	PSD	000	1 OF 3



SUGGESTED BOARD LAYOUT
GIGABIT VERSION
COMPONENT SIDE
ALL DIMS REFERENC DIMS



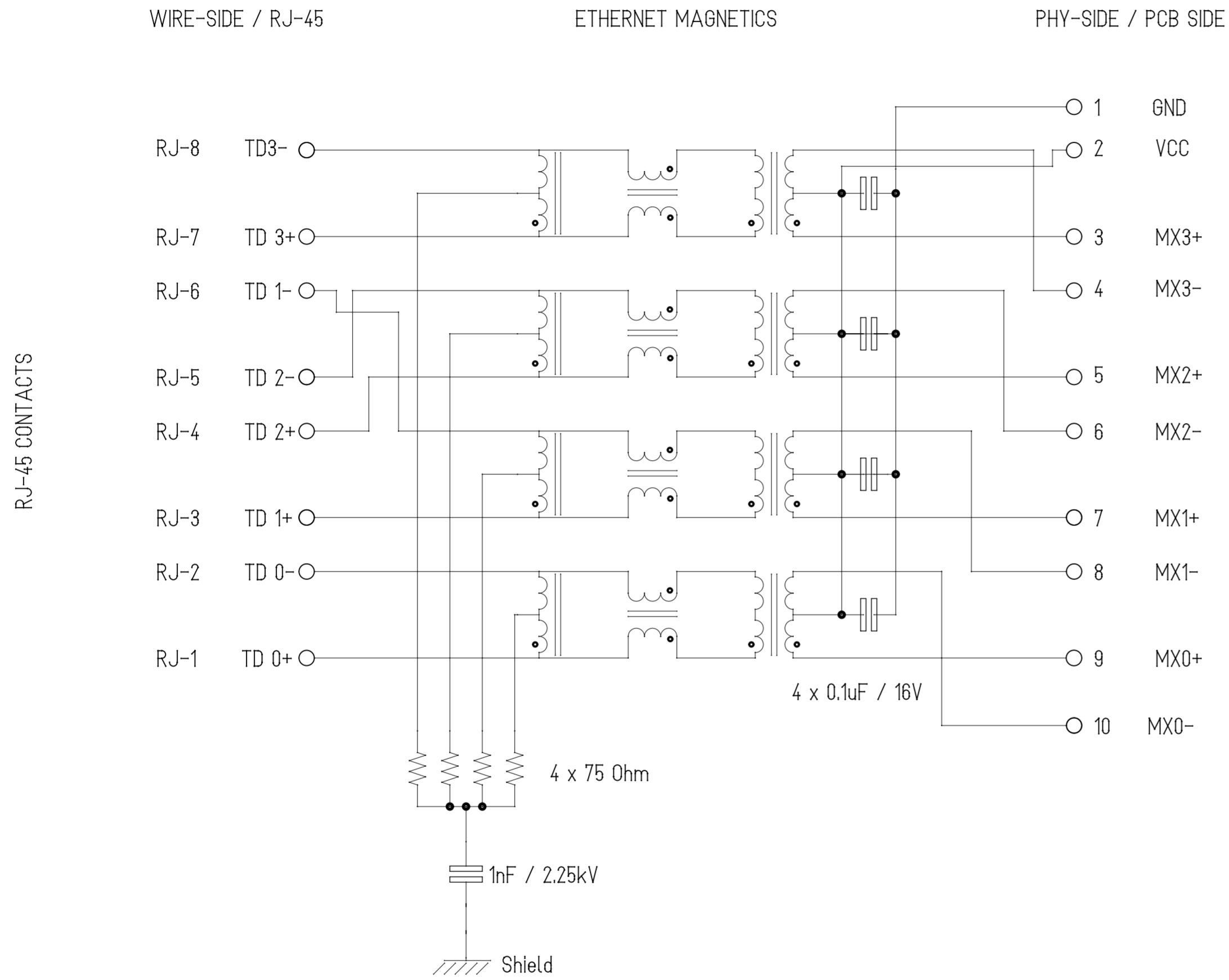
DETAIL A
SCALE 10:1

PIN CONFIGURATION
FOR GIGABIT VERSION

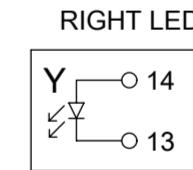
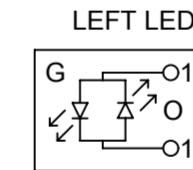
PART NUMBER	LEFT LED	RIGHT LED
93637-8617	GREEN/ORANGE	YELLOW

THIS DRAWING CONTAINS INFORMATION THAT IS PROPRIETARY TO MOLEX ELECTRONIC TECHNOLOGIES, LLC AND SHOULD NOT BE USED WITHOUT WRITTEN PERMISSION											
REVISED EC NO: 116686 DRWN: KREILLY CHKD: DSHEA REV APPR: DBYRNES	2017/05/09	2017/09/12	2017/09/26	GENERAL TOLERANCES (UNLESS SPECIFIED)	DIMENSION UNITS	SCALE	molex INV MX-MAG 12 CORE GIG W/LEDS W/SHIELDS				
				mm	5:1						
	ANGULAR TOL ± 2.0 °				DRWN BY	DATE	PRODUCT CUSTOMER DRAWING				
	4 PLACES ±				KREILLY	2015/09/29					
	3 PLACES ±				CHK'D BY	DATE	SERIES MATERIAL NUMBER CUSTOMER 93637 SEE TABLE GENERAL MARKET				
	2 PLACES ± 0.1				DBYRNES	2017/02/22					
1 PLACE ± 0.2				APPR BY	DATE	DRAWING SIZE THIRD ANGLE PROJECTION A2					
0 PLACES ±				STGRIFFIN	2015/11/19						
DRAFT WHERE APPLICABLE MUST REMAIN WITHIN DIMENSIONS								DOCUMENT NUMBER		DOC TYPE	DOC PART SHEET NUMBER
C				936370003		PSD		000		2 OF 3	

Description	Value	
OCL @100 kHz, 0.1 V 8 mA DC bias (-40°C to +85°C)	350 µH min.	
Turns ratio	1CT:1CT	
Transmission characteristics @ 25°C, all four pairs		
Insertion Loss		
Frequency f, (MHz)	Limits (dB max.)	Typical Values (dB max.)
1.0-9.9	0.4+0.1*log(f)	0.5 @ 10 MHz
10-49.9	0.5+0.3*log(f/10)	0.7 @ 50 MHz
50-79.9	1+1.4*log(f/80)	1.0 @ 80 MHz
80-100	1.3+3*log(f/100)	1.3 @ 100 MHz
Return Loss		
Frequency f, (MHz)	Limits (dB min.)	Typical Values (dB min.)
1.0-39.9	18	18 @ 40 MHz
40-100	12-20*log(f/80)	10 @ 100 MHz
CMR		
Frequency f, (MHz)	Limits (dB min.)	Typical Values (dB min.)
1.0-100	30	30 @ 100 MHz
Next		
Frequency f, (MHz)	Limits (dB min.)	Typical Values (dB min.)
1.0-39.9	35	35 @ 40 MHz
40-100	33-20*log(f/50)	27 @ 100 MHz
Isolation PHY to wire side	2.25 kVDC/60sec	



ETHERNET TERMINALS



THIS DRAWING CONTAINS INFORMATION THAT IS PROPRIETARY TO MOLEX ELECTRONIC TECHNOLOGIES, LLC AND SHOULD NOT BE USED WITHOUT WRITTEN PERMISSION

EC NO: 116686 DRWN: KREILLY CHK'D: DSHEA REV APPR: DBYRNES	2017/05/09	2017/09/12	2017/09/26	GENERAL TOLERANCES (UNLESS SPECIFIED) mm ANGULAR TOL ± 2.0 ° 4 PLACES ± 3 PLACES ± 2 PLACES ± 0.1 1 PLACE ± 0.2 0 PLACES ± DRAFT WHERE APPLICABLE MUST REMAIN WITHIN DIMENSIONS	DIMENSION UNITS	SCALE		
	DRWN BY DATE				KREILLY 2015/09/29	mm		1:1
	CHK'D BY DATE				DBYRNES 2017/02/22			
	APPR BY DATE				STGRIFFIN 2015/11/19			
	DRAWING SIZE				THIRD ANGLE PROJECTION			
C	A2					PRODUCT CUSTOMER DRAWING SERIES: 93637 MATERIAL NUMBER: SEE TABLE ON SHEET 2 CUSTOMER: GENERAL MARKET DOCUMENT NUMBER: 936370003 DOC TYPE: PSD DOC PART: 000 SHEET NUMBER: 3 OF 3		