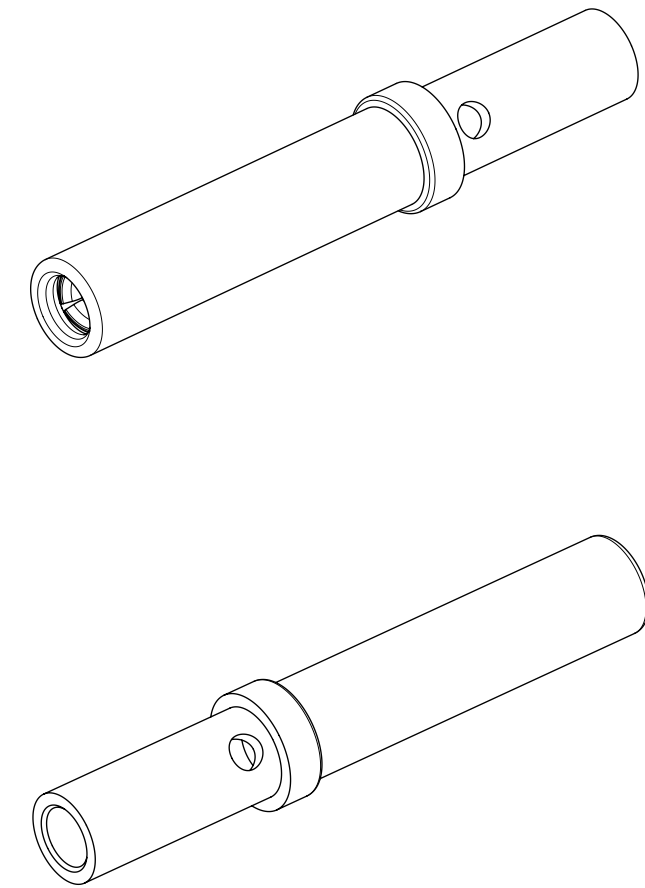
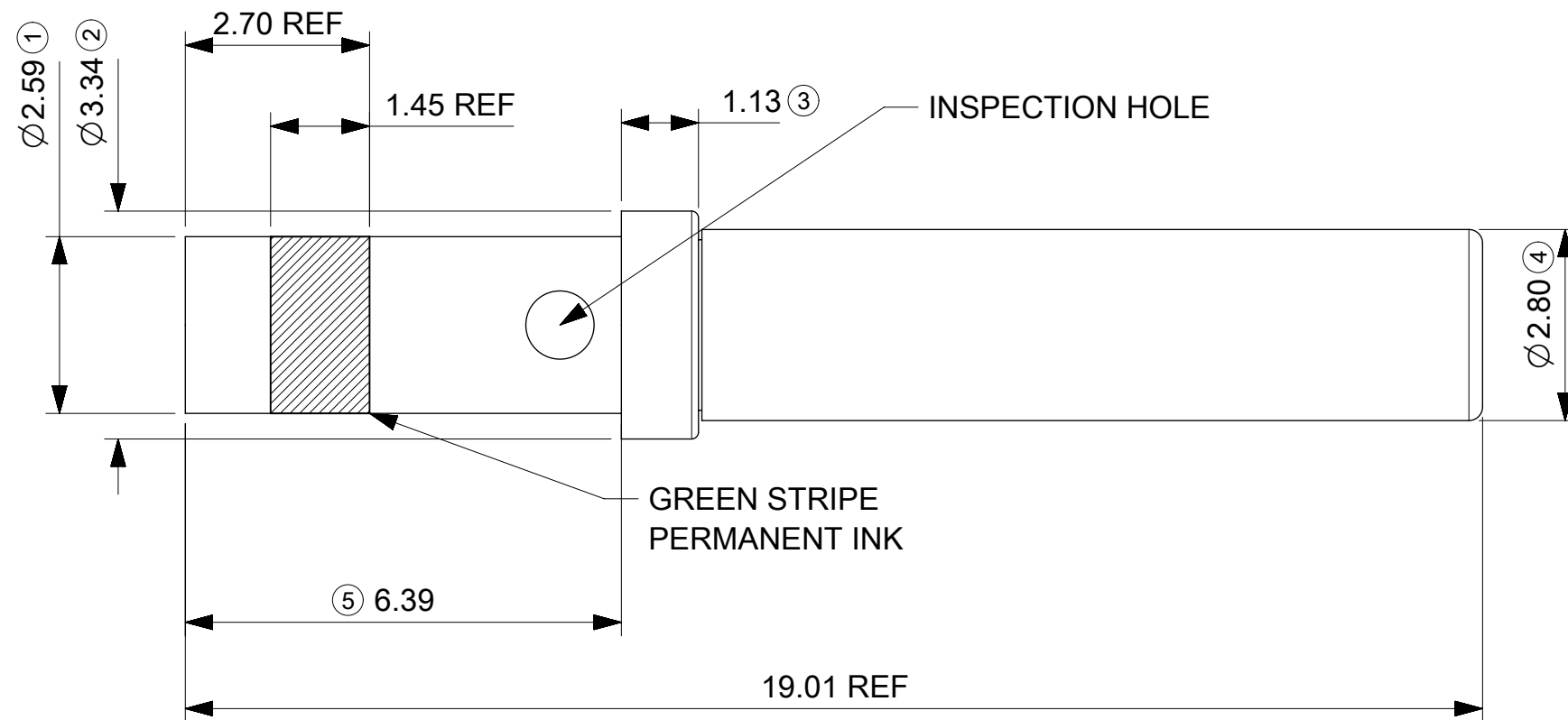


PART NUMBER	DESCRIPTION	GREEN STRIPE	PLATING OPTION
936410022	14AWG	YES	1
936410024	14AWG	YES	2
936410012	16-20AWG	NO	1
936410014	16-20AWG	NO	2



- NOTES:
- MATERIAL
COPPER ALLOY TERMINAL
STAINLESS STEEL HOOD
 - FINISH
OPTION 1: NICKEL ALLOVER
OPTION 2: GOLD OVER NICKEL ALLOVER
 - REFER TO 936400010 PSK FOR PACKAGING INFORMATION.
 - REFER TO 936400010 PSP FOR PRODUCT SPECIFICATION.
 - CRIMP TOOL DATA:
PLEASE CONTACT MOLEX PERSONNEL.
 - REFER TO 934430010 PSA FOR CRIMPING INFORMATION.
 - TERMINALS ARE RoHS & REACH COMPLIANT.
 - LAST INSPECTION No. 5

SYMBOLS	THIS DRAWING CONTAINS INFORMATION THAT IS PROPRIETARY TO MOLEX ELECTRONIC TECHNOLOGIES, LLC AND SHOULD NOT BE USED WITHOUT WRITTEN PERMISSION	
DIMENSION UNITS	SCALE	CURRENT REV DESC: SEE LONG TEXT
$\nabla = 0$	mm	5:1
$\nabla = 0$	GENERAL TOLERANCES (UNLESS SPECIFIED)	
$\nabla = 0$	ANGULAR TOL	± °
$\nabla = 0$	4 PLACES	±
$\nabla = 0$	3 PLACES	±
$\nabla = 0$	2 PLACES	± 0.1
$\nabla = 0$	1 PLACE	± 0.2
$\nabla = 0$	0 PLACES	±
$\nabla = 0$	DRAFT WHERE APPLICABLE MUST REMAIN WITHIN DIMENSIONS	THIRD ANGLE PROJECTION
		DRAWING
		SERIES
		MATERIAL NUMBER
		CUSTOMER
		SHEET NUMBER
		EC NO: 172329
		DRWN: JFLETCHER 2018/02/20
		CHK'D: JDWALLACE 2018/03/02
		APPR: IOCONNELL 2018/03/09
		INITIAL REVISION:
		DRWN: FDUGGAN 2017/02/16
		APPR: JDWALLACE 2017/08/25
		DOCUMENT NUMBER
		DOC TYPE
		DOC PART
		REVISION
		936400020
		PSD
		000
		A1
		SEE CHART
		GENERAL MARKET
		1 OF 1