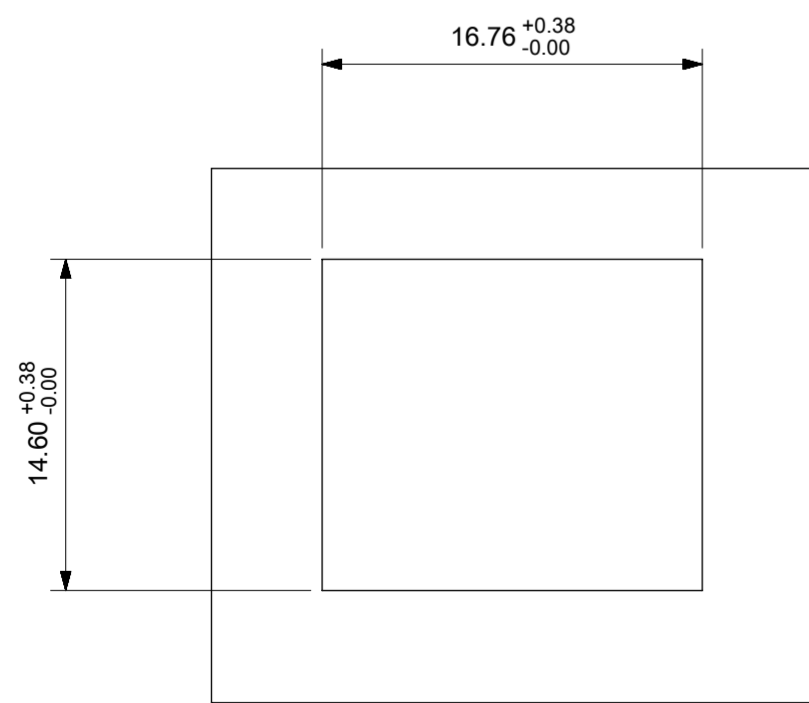
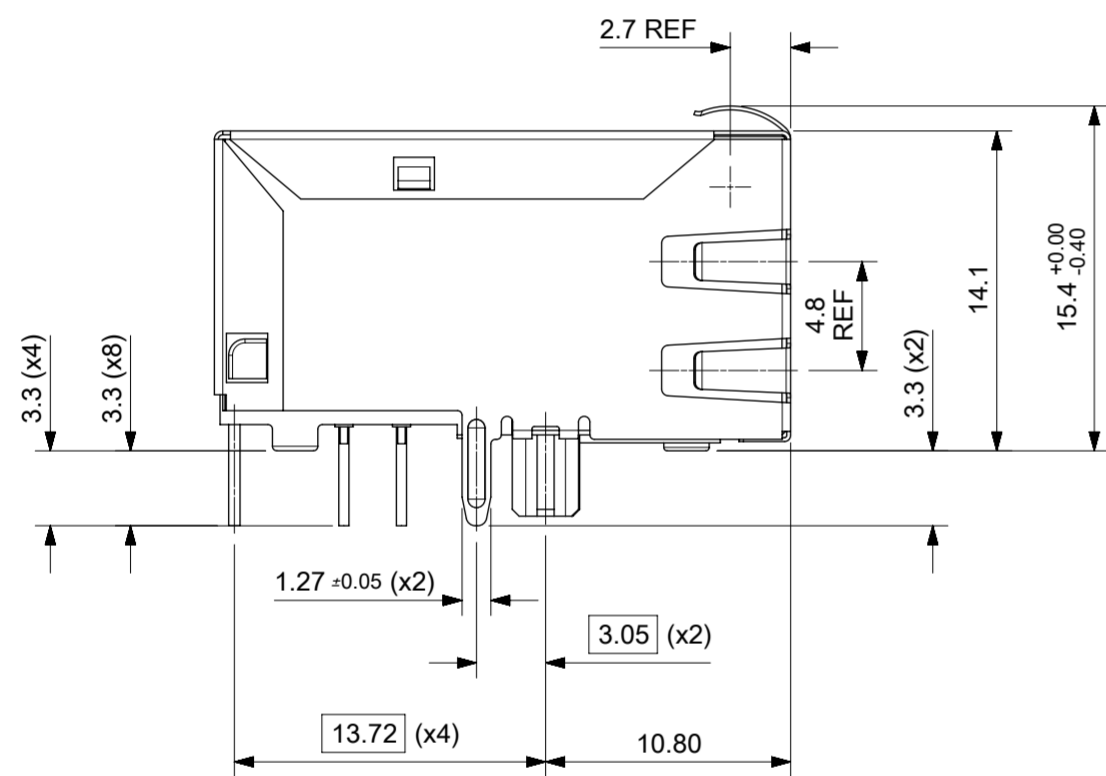
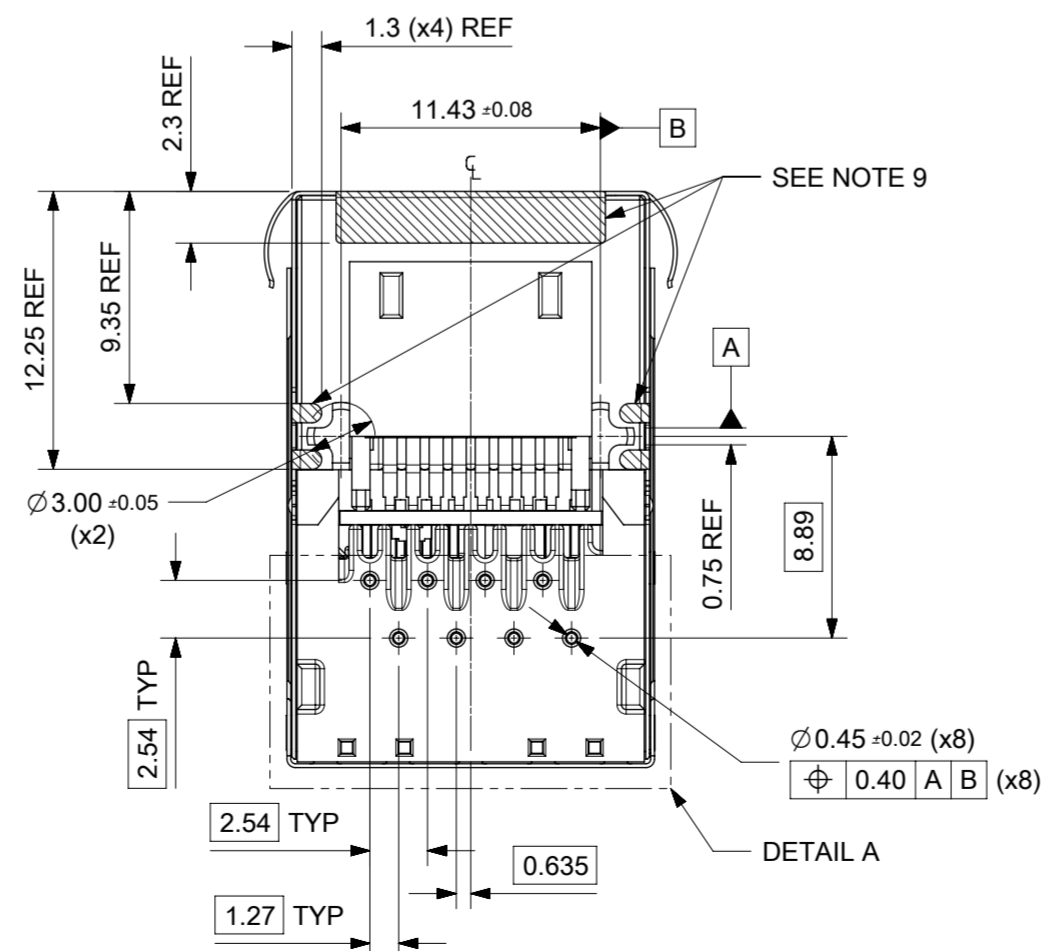
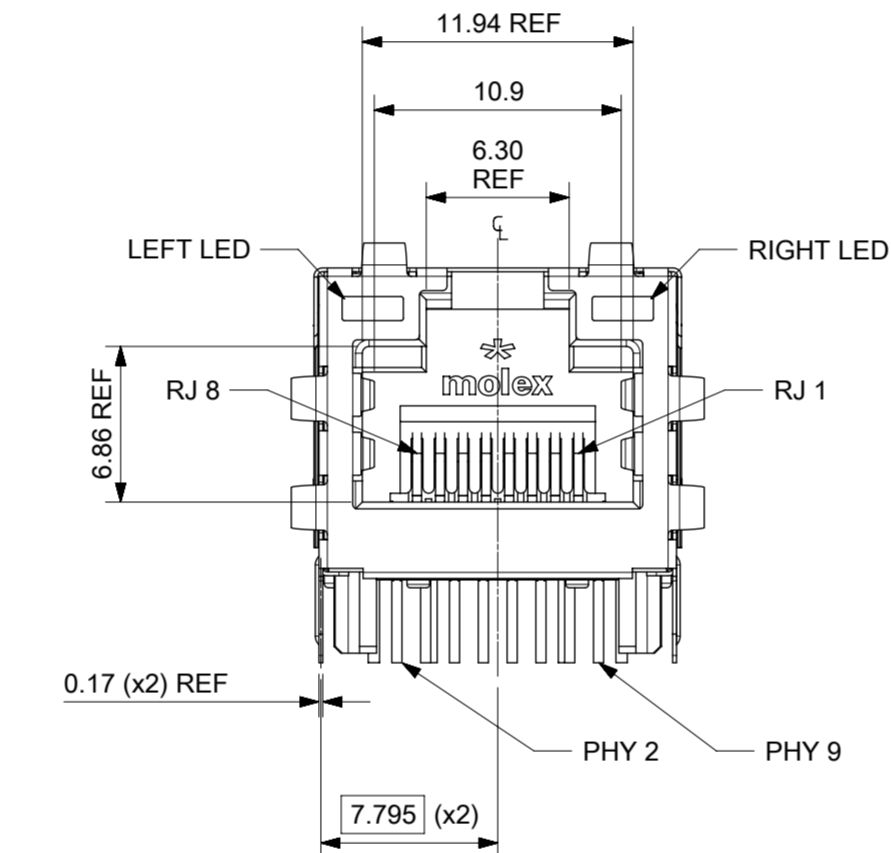
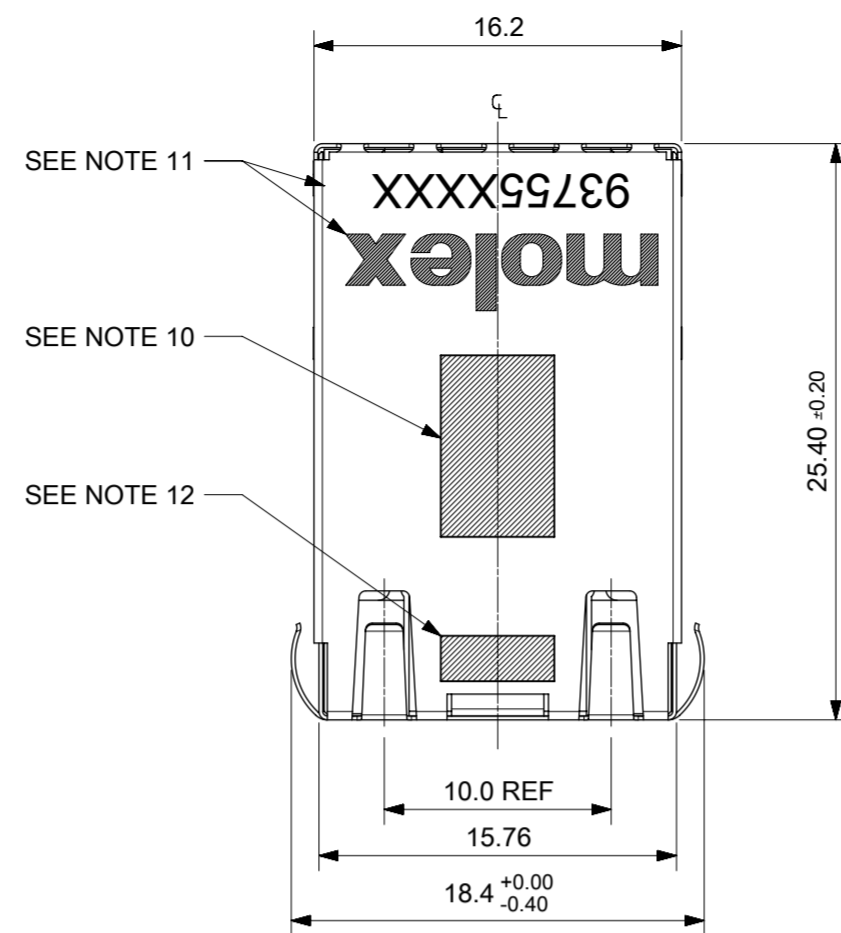


DETAIL A
SCALE 5:1

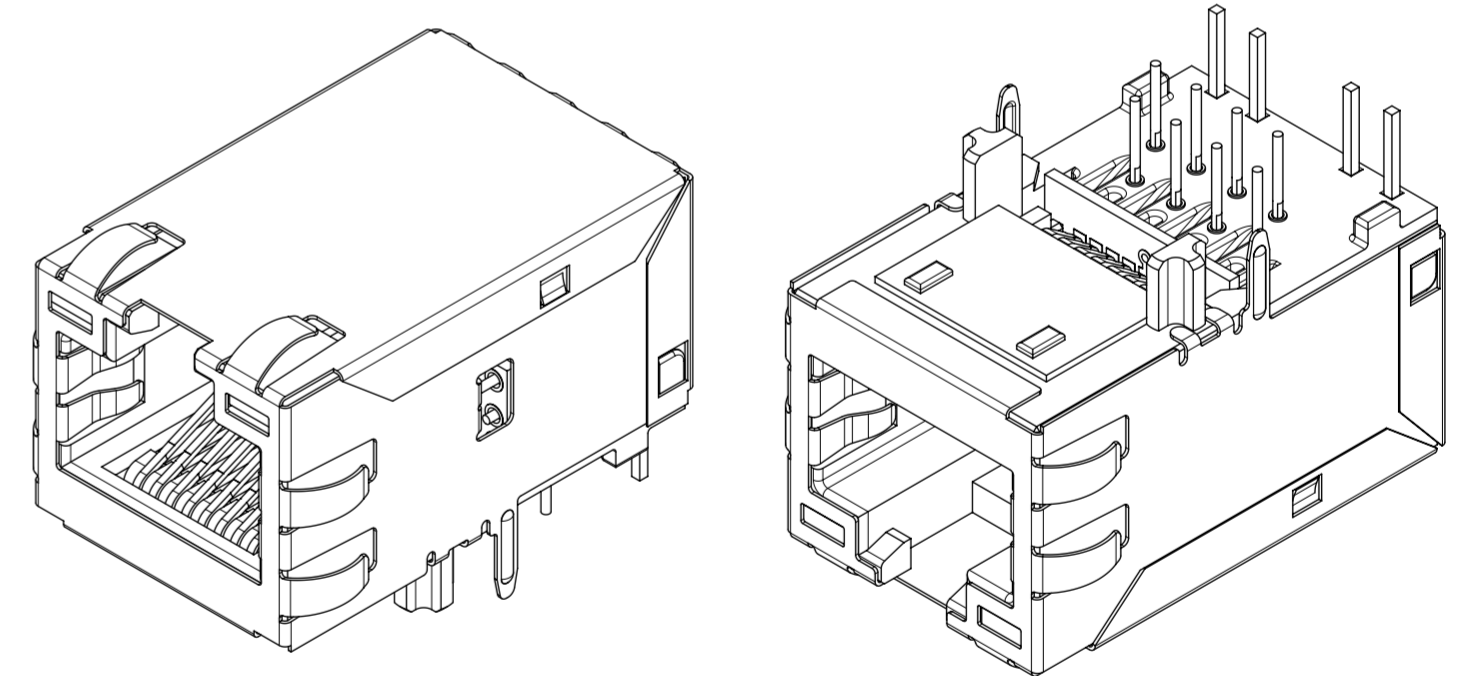


SUGGESTED PANEL CUT OUT

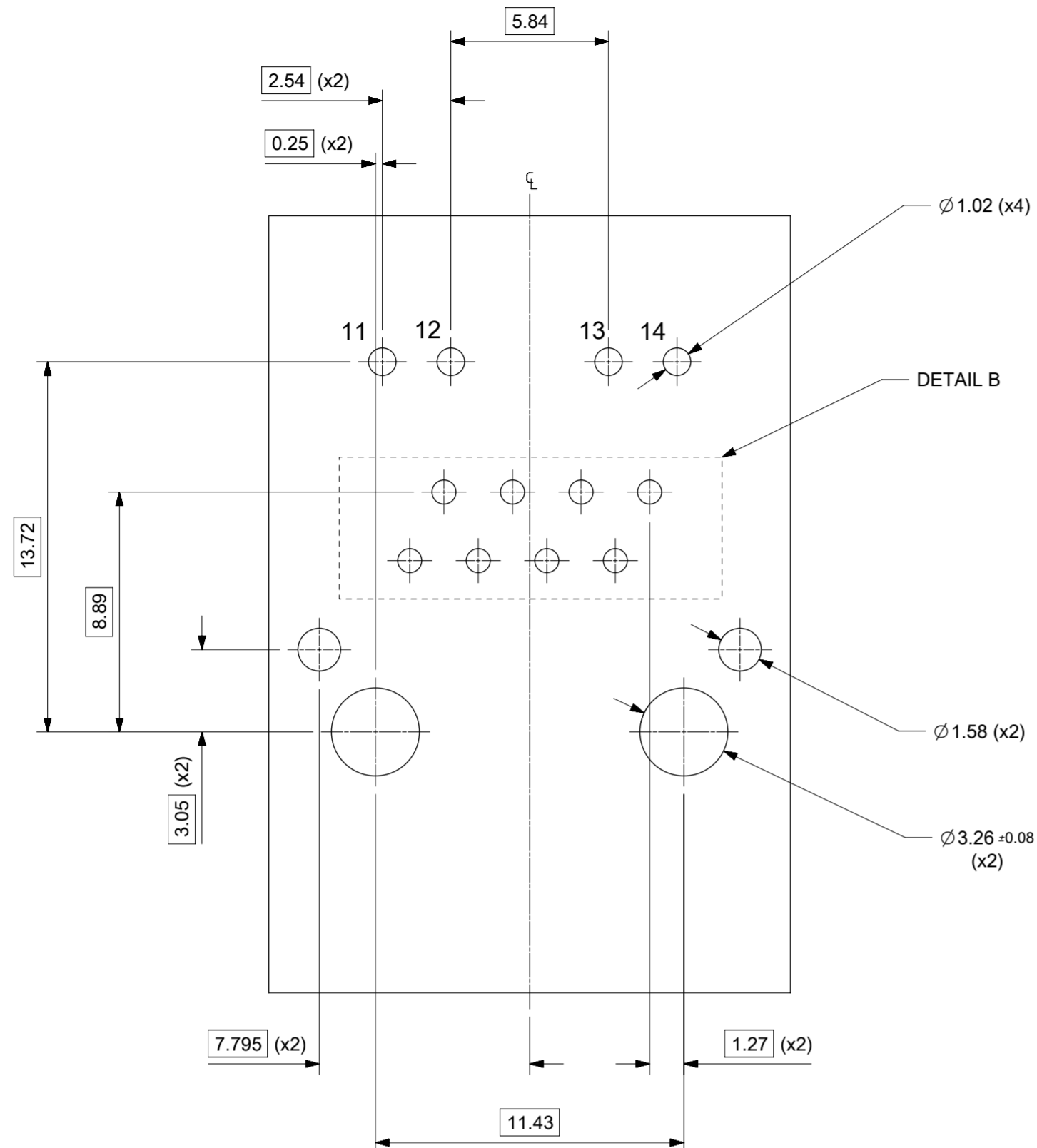


NOTES:

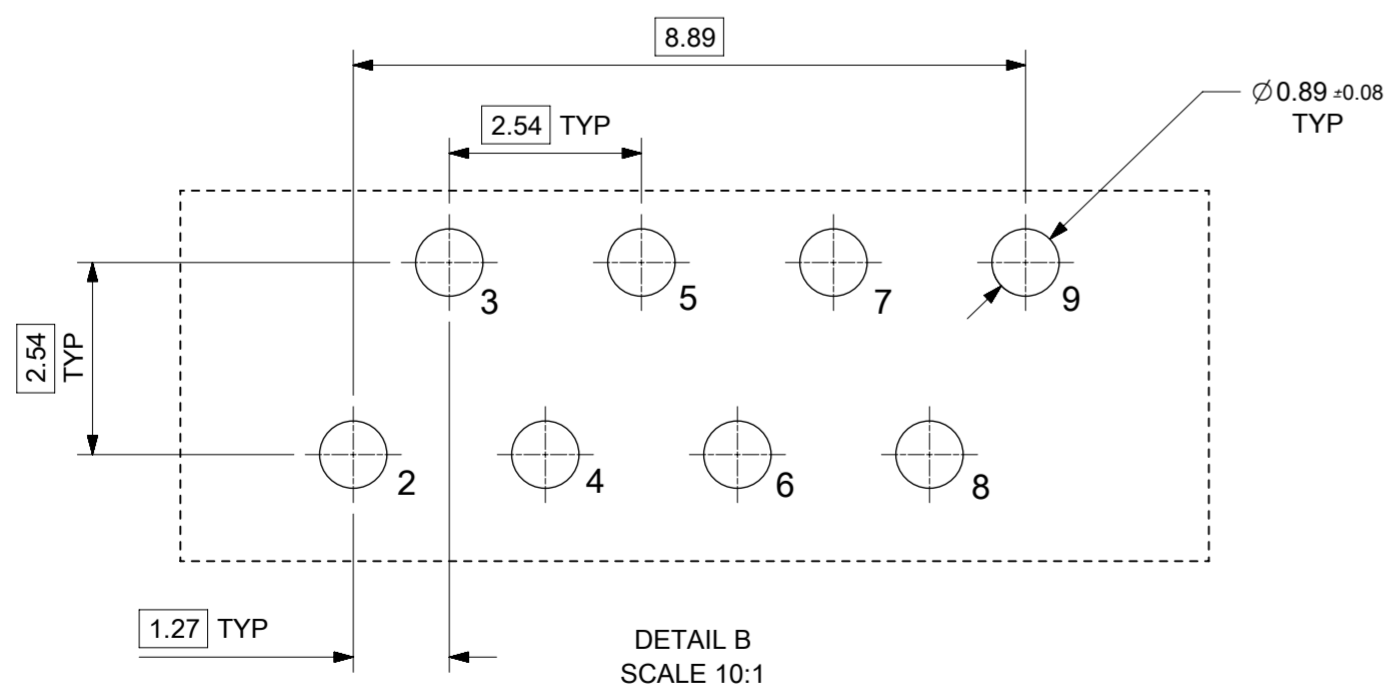
- SHIELD MATERIAL: 0.17 mm THICK BRASS PRE-PLATED WITH NICKEL.
SOLDER TABS POST DIPPED WITH MIN. 1.27 μm TIN
- HOUSING MATERIAL: LCP, BLACK, UL 94V-0.
- TERMINALS MATERIAL: PHOSPHOR BRONZE.
RJ45 CONTACT PLATING: BASE NICKEL, GOLD FLASH OVER PALLADIUM NICKEL.
PHY SOLDER TAILS: COPPER ALLOY.
- MATING INTERFACE ACCORDING TO IEC 60603-7 & TIA-1096-A.
- PRODUCT SPECIFICATION: 934620001 PSP.
- PACKAGING SPECIFICATION: 934620002 PSK TAPE AND REEL.
- STAND OFF TO SYSTEM BOARD 0.30 mm MIN.
- RECOMMENDED PCB THICKNESS: 1.57 mm REF.
- SHIELD: AVOID ROUTING TRACES OR PLACING ANY VIAS BELOW THESE AREAS.
- AREA FOR PICK AND PLACE: 5.0 mm x 8.0 mm
- INSCRIPTION MARKED BY LASER:
1st : MOLEX
2nd : P/N (SEE BOM)
- INSCRIPTION MARKED BY LASER:
DATE CODE(DAY/WEEK/YEAR)
- MATERIAL COMPLIANT TO RoHS DIRECTIVE 2002/95/EC



THIS DRAWING CONTAINS INFORMATION THAT IS PROPRIETARY TO MOLEX ELECTRONIC TECHNOLOGIES, LLC AND SHOULD NOT BE USED WITHOUT WRITTEN PERMISSION											
UPDATED MAGBOX + 2KV EC NO: 117810 DRWN: SBRENNAN CHKD: DBYRNES APPR: STGRIFFIN	GENERAL TOLERANCES (UNLESS SPECIFIED)			DIMENSION UNITS		SCALE					
	ANGULAR TOL ± 2.0 °			MM		3:1					
	4 PLACES ±			DRWN BY		DATE		1" MXMAG 4 CORE FE IND			
	3 PLACES ±			DBYRNES		2015/11/20					
	2 PLACES ± 0.1			CHK'D BY		DATE		PRODUCT CUSTOMER DRAWING			
1 PLACE ± 0.2			DBYRNES		2016/09/19						
0 PLACES ±			APPR BY		DATE		SERIES: 93755 MATERIAL NUMBER: SEE TABLE ON SHEET 2 CUSTOMER: GENERAL MARKET				
DRAFT WHERE APPLICABLE MUST REMAIN WITHIN DIMENSIONS			STGRIFFIN		2016/09/23						
DRAWING SIZE		THIRD ANGLE PROJECTION		DOCUMENT NUMBER		DOC TYPE		DOC PART		SHEET NUMBER	
A2				937550002		PSD		000		1 OF 3	



SUGGESTED BOARD LAYOUT
FAST ETHERNET
VIEW FROM COMPONENT SIDE
ALL DIMS ARE REFERENCE



DETAIL B
SCALE 10:1

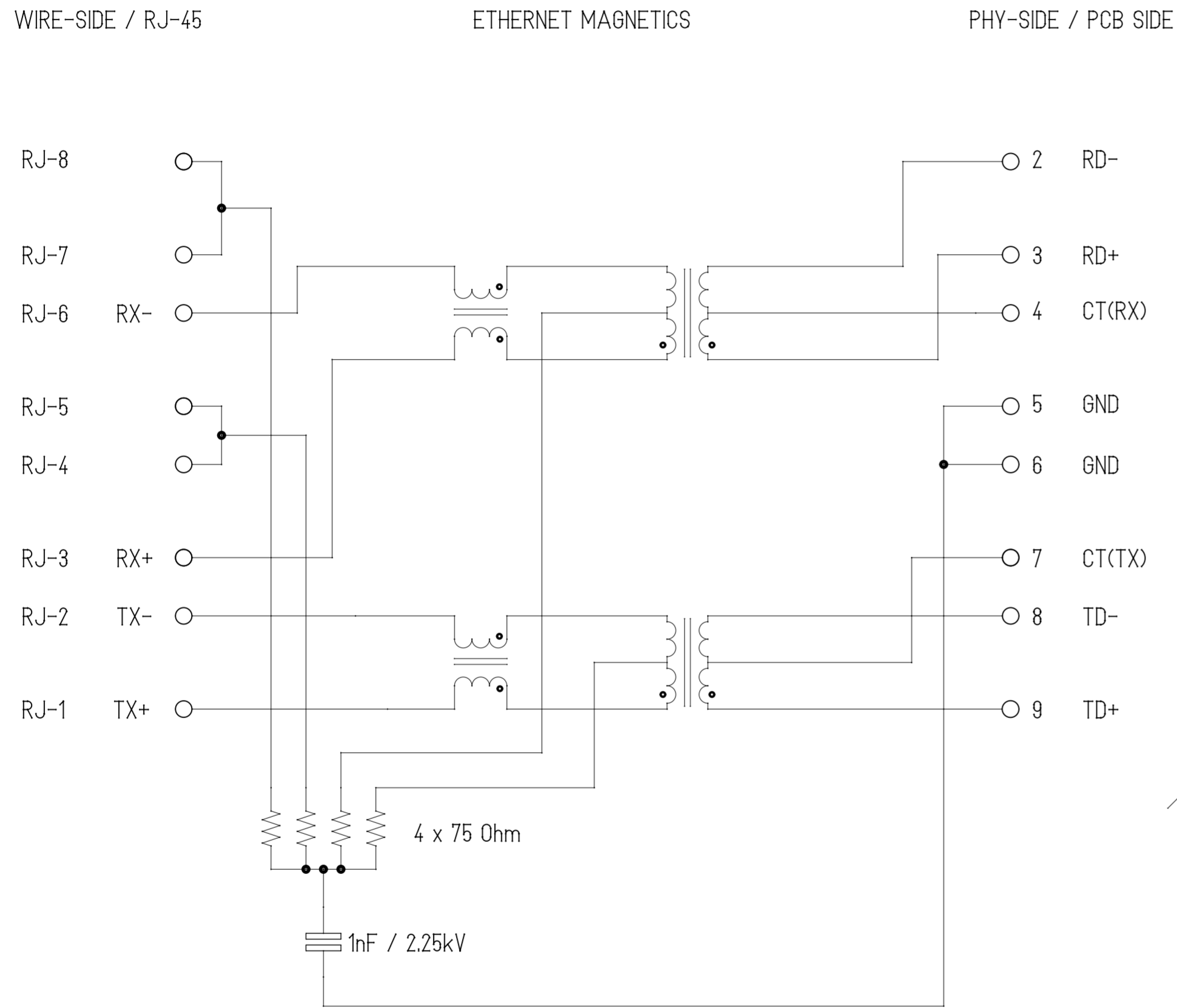
PIN CONFIGURATION
FOR FAST ETHERNET

PART NUMBER	LEFT LED	RIGHT LED
937555226	GREEN	YELLOW
937555225	GREEN	GREEN/YELLOW

THIS DRAWING CONTAINS INFORMATION THAT IS PROPRIETARY TO MOLEX ELECTRONIC TECHNOLOGIES, LLC AND SHOULD NOT BE USED WITHOUT WRITTEN PERMISSION

UPDATED MAGBOX + 2KV EC NO: 117810 DRWN: SBRENNAN CHKD: DBYRNES APPR: STGRIFFIN	2017/06/06	2017/06/12	2017/06/12	GENERAL TOLERANCES (UNLESS SPECIFIED)	DIMENSION UNITS	SCALE		
				ANGULAR TOL ± 2.0 °	MM	5:1		
	4 PLACES	±		DRWN BY	DATE			1" MXMAG 4 CORE FE IND
	3 PLACES	±		DBYRNES	2015/11/20			
	2 PLACES	±	0.1	CHK'D BY	DATE			
1 PLACE	±	0.2	DBYRNES	2016/09/19				
0 PLACES	±		APPR BY	DATE			PRODUCT CUSTOMER DRAWING	
				DRAFT WHERE APPLICABLE MUST REMAIN WITHIN DIMENSIONS	DRAWING SIZE	THIRD ANGLE PROJECTION	SERIES	
					A2		93755	
							MATERIAL NUMBER	
							SEE TABLE ON SHEET 2	
							CUSTOMER	
							GENERAL MARKET	
							DOCUMENT NUMBER	
							937550002	
							DOC TYPE	
							PSD	
							DOC PART	
							000	
							SHEET NUMBER	
							2 OF 3	

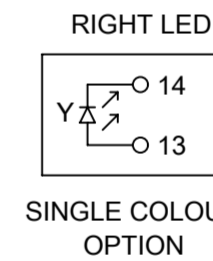
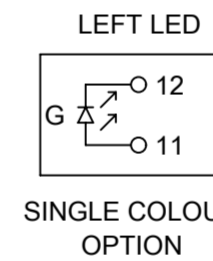
RJ-45 CONTACTS



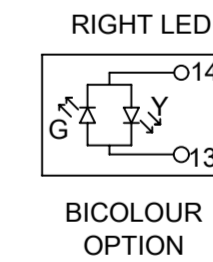
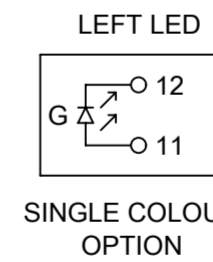
Description	Value	
OCL @100 kHz, 0.1 V, 8 mA DC bias (-40°C to +85°C)	350 μH min.	
OCL @100 kHz, 0.1 V, 8 mA DC bias (25°C)		
Turns ratio	1CT:1CT	
Transmission characteristics @ 25°C, all four pairs		
Insertion Loss		
Frequency (MHz)	Limits (dB max.)	Typical Values (dB max.)
1.0-9.9 MHz	0.4+0.1*log(F)	0.5 @ 10 MHz
10-49.9 MHz	0.5+0.3*log(F/10)	0.7 @ 50 MHz
50-79.9 MHz	1+1.4*log(F/80)	1.0 @ 80 MHz
80-100 MHz	1.3+3*log(F/100)	1.3 @ 100 MHz
Return Loss		
Frequency (MHz)	Limits (dB min.)	Typical Values (dB min.)
1.0-39.9 MHz	18	18 @ 40 MHz
40-100 MHz	12-20*log(F/80)	10 @ 100 MHz
CMR		
Frequency (MHz)	Limits (dB min.)	Typical Values (dB min.)
1.0-100 MHz	30	30 @ 100 MHz
Next		
Frequency (MHz)	Limits (dB min.)	Typical Values (dB min.)
1.0-39.9 MHz	35	35 @ 40 MHz
40-100 MHz	33-20*log(F/50)	27 @ 100 MHz
Isolation PHY to wire side	2.25 kVDC / 60 s	

ETHERNET TERMINALS

937555226

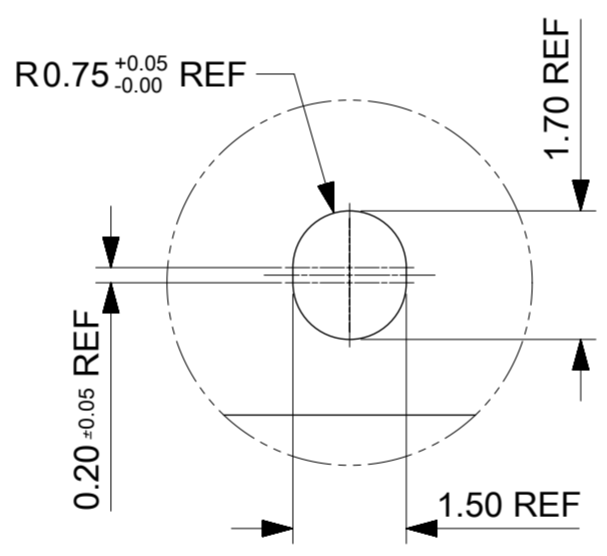
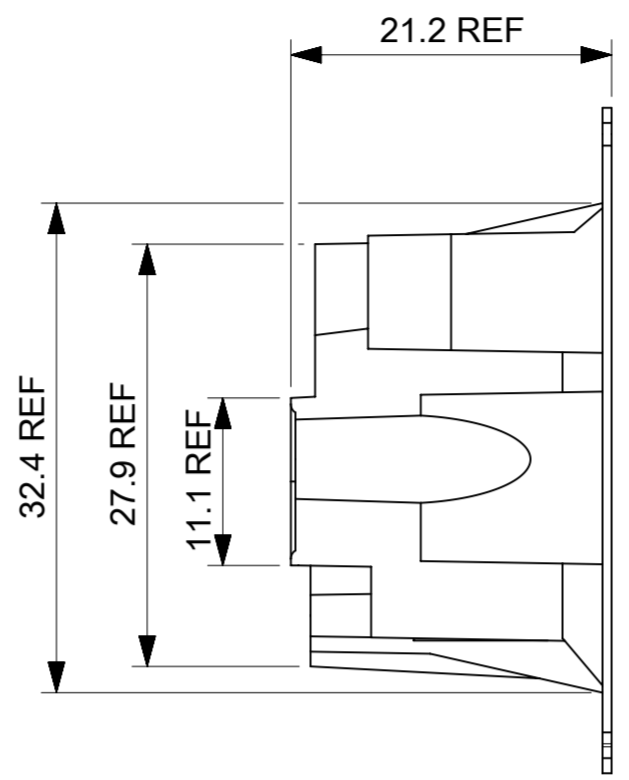
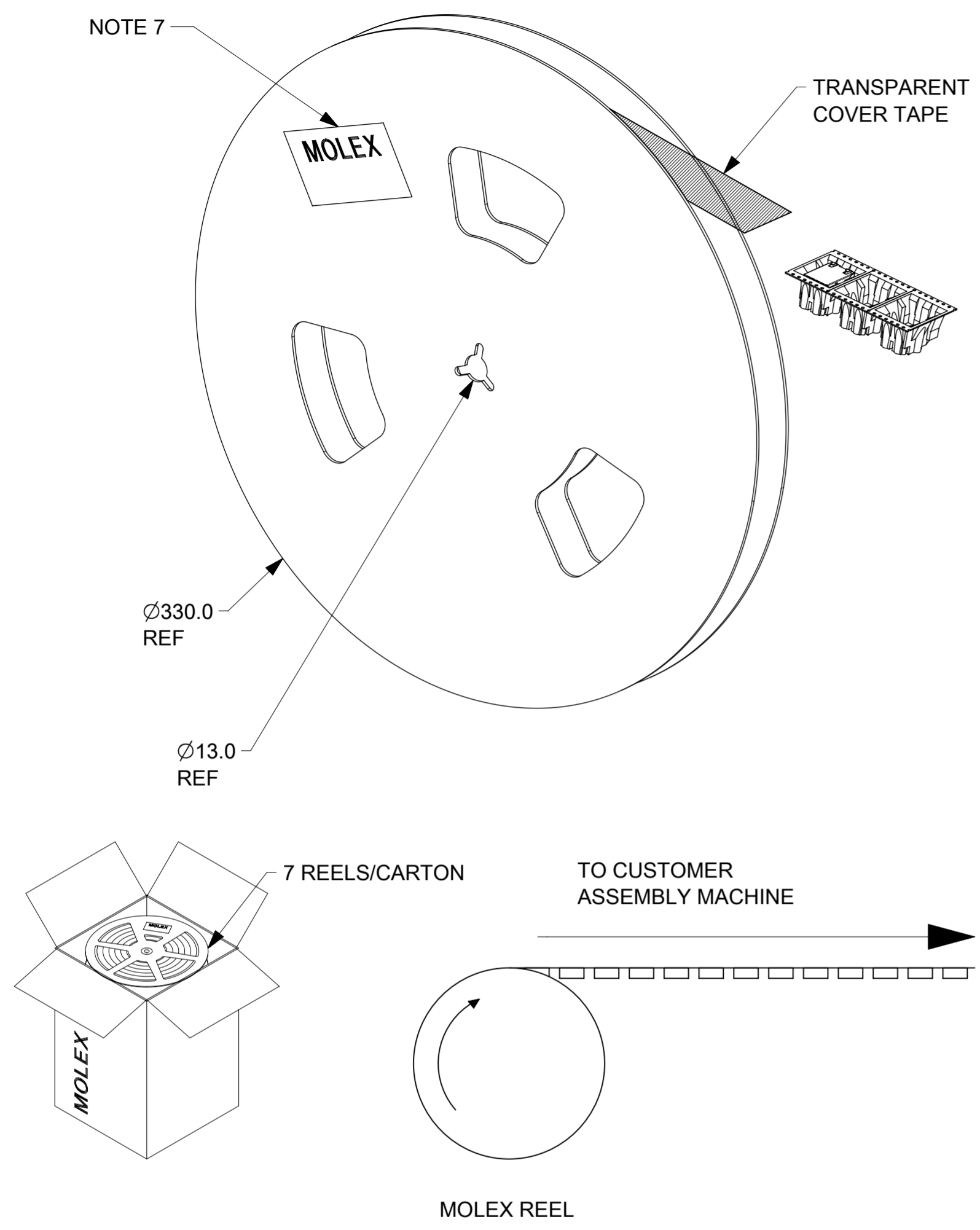


937555225

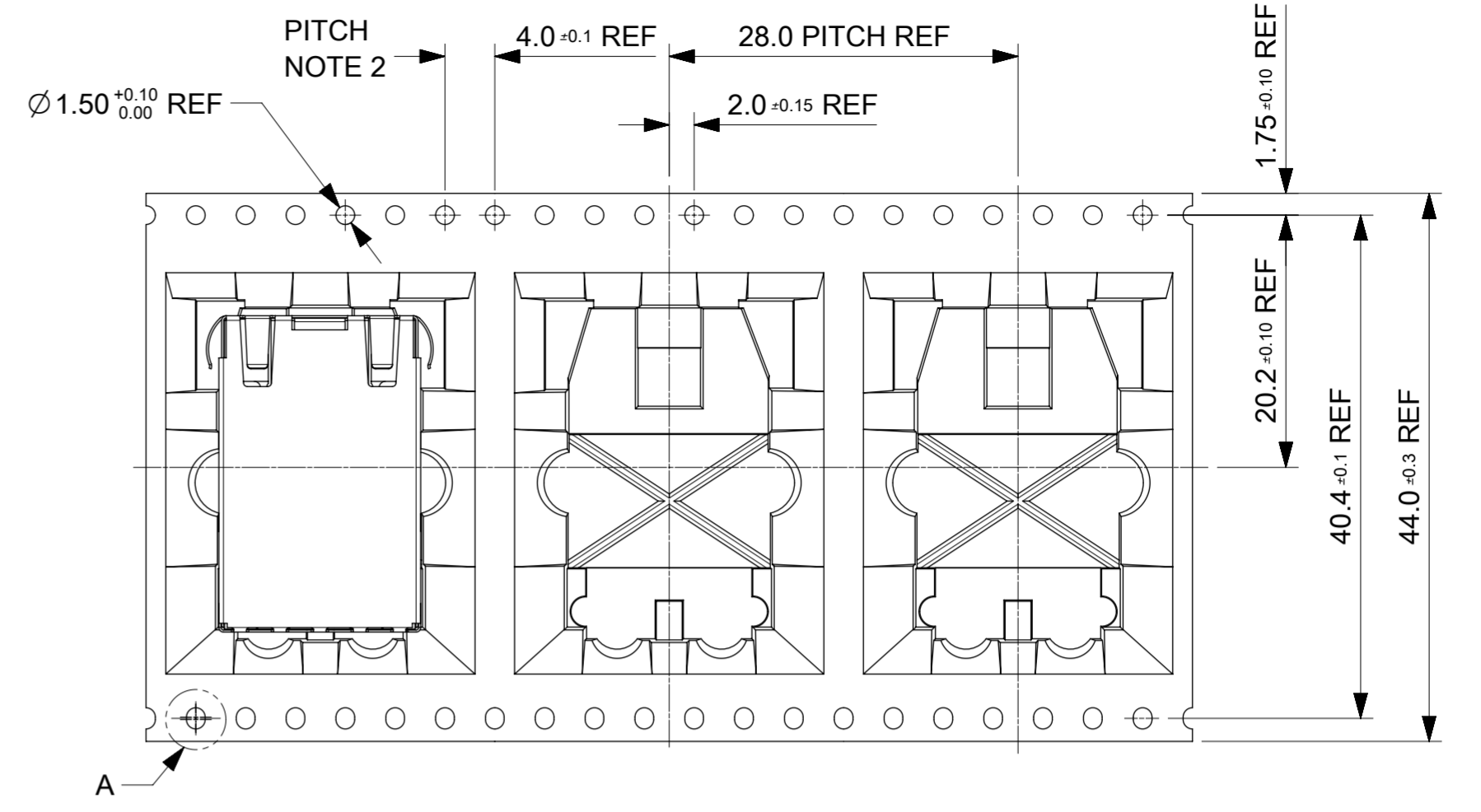


THIS DRAWING CONTAINS INFORMATION THAT IS PROPRIETARY TO MOLEX ELECTRONIC TECHNOLOGIES, LLC AND SHOULD NOT BE USED WITHOUT WRITTEN PERMISSION

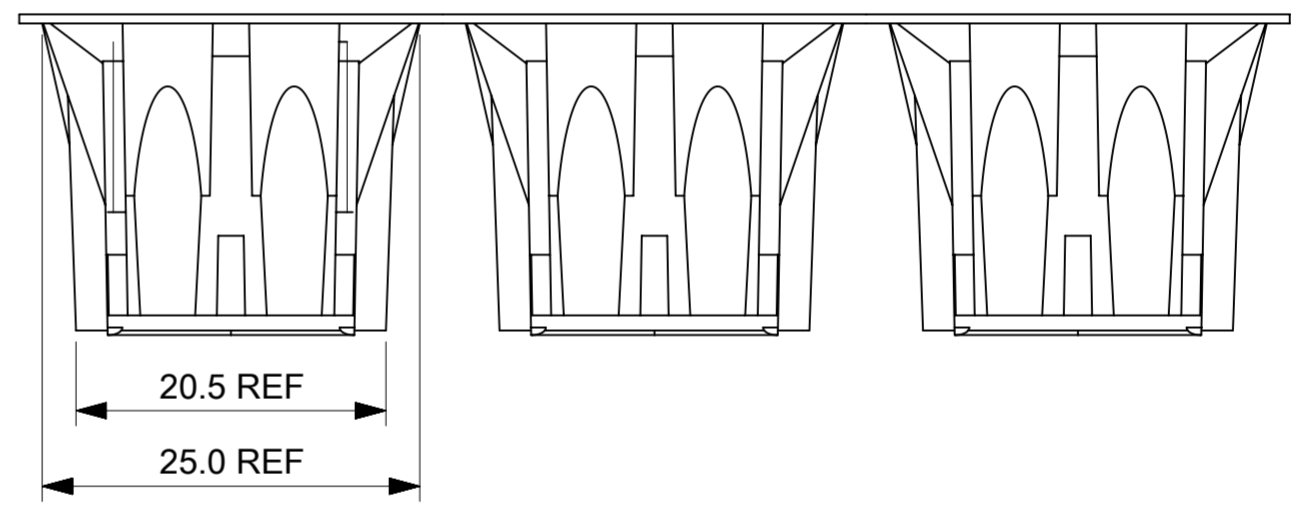
UPDATED MAGBOX + 2kV EC NO: 117810 DRWN: SBRENNAN CHKD: DBYRNES APPR: STGRIFFIN	2017/06/06	2017/06/12	2017/06/12	GENERAL TOLERANCES (UNLESS SPECIFIED) DIMENSION UNITS: MM SCALE: 1:1 DRWN BY: DBYRNES DATE: 2015/11/20 CHK'D BY: DBYRNES DATE: 2016/09/19 APPR BY: STGRIFFIN DATE: 2016/09/23		1" MXMAG 4 CORE FE IND			
	ANGULAR TOL ± 2.0 ° 4 PLACES ± 3 PLACES ± 2 PLACES ± 0.1 1 PLACE ± 0.2 0 PLACES ±						DRAFT WHERE APPLICABLE MUST REMAIN WITHIN DIMENSIONS	DRAWING SIZE: A2 THIRD ANGLE PROJECTION	PRODUCT CUSTOMER DRAWING
	DRAFT WHERE APPLICABLE MUST REMAIN WITHIN DIMENSIONS						DRAWING SIZE: A2 THIRD ANGLE PROJECTION	SERIES: 93755 MATERIAL NUMBER: SEE TABLE ON SHEET 2 CUSTOMER: GENERAL MARKET	
	DRAFT WHERE APPLICABLE MUST REMAIN WITHIN DIMENSIONS						DRAWING SIZE: A2 THIRD ANGLE PROJECTION	DOCUMENT NUMBER: 937550002 DOC TYPE: PSD DOC PART: 000 SHEET NUMBER: 3 OF 3	



DETAIL A
SCALE 10:1



DIRECTION OF UNREELING →



BLISTER TAPE PART NO	PIECES/REEL	PIECES/CARTON	REELS/CARTON
990449058	107	749	7

- NOTES:
- MATERIAL:
CARRIER TAPE: VOLUME CONDUCTIVE POLYSTYRENE, 0.60 mm REF THICK, BLACK.
COVER TAPE: COLD SEAL POLYESTER, 0.06 mm REF THICK TRANSPARENT.
 - PITCH TOLERANCE OVER ANY 10 PITCHES ± 0.2 mm
 - PEEL FORCE OF COVER TAPE IS 0.1 N TO 1.3 N
AT A MAXIMUM SPEED OF 300 mm/min ± 10 mm/min
 - PACKAGING SPECIFICATION: 934620002 PSK.
 - REFERENCE TO IEC 60286-3 EXCEPT WHERE NOTED
 - LABELS SHALL BE PLACED ON THE EACH REEL AND ON THE CARTON
 - THE LABEL ON THE REEL SHALL BE PLACED ON THE OUTSIDE OF THE FLANGE
OPPOSITE THE ROUND SPROCKET HOLES
 - ALL DIMENSIONS ARE REFERENCE ONLY

THIS DRAWING CONTAINS INFORMATION THAT IS PROPRIETARY TO MOLEX ELECTRONIC TECHNOLOGIES, LLC AND SHOULD NOT BE USED WITHOUT WRITTEN PERMISSION

DIMENSION UNITS mm	SCALE 1:2	CURRENT REV DESC: ORIGINAL RELEASE		molex		
GENERAL TOLERANCES (UNLESS SPECIFIED)		EC NO: 624501				
ANGULAR TOL ± 2.0°	4 PLACES ±	DRWN: DSHEA	2019/09/19	PRODUCT CUSTOMER DRAWING		
3 PLACES ±	2 PLACES ± 0.1	CHK'D: DBYRNES	2019/09/26	DOCUMENT NUMBER		
1 PLACE ± 0.2	0 PLACES ±	APPR: DBYRNES	2019/09/26	990449058		
DRAFT WHERE APPLICABLE MUST REMAIN WITHIN DIMENSIONS	THIRD ANGLE PROJECTION	INITIAL REVISION: DRWN: DSHEA APPR: DBYRNES	2019/09/19 2019/09/26	MATERIAL NUMBER 990449058	CUSTOMER GENERAL MARKET	DOC TYPE PSD
		DRAWING A2-SIZE	SERIES 99044	DOC PART K	REVISION A	SHEET NUMBER 1 OF 1

DOCUMENT STATUS	P1	RELEASE DATE	2019/09/26	09:14:35
-----------------	----	--------------	------------	----------