

PLEASE CHECK WWW.MOLEX.COM FOR LATEST PART INFORMATION

Part Number: [94030-4930](#)
Status: **Active**
Description: Quick Disconnect, Female for (0.50-1.50mm²) 16-24 AWG Wire, Accepts 2.79 x 0.81mm Tab, Unplated

Documents:

[Drawing \(PDF\)](#) [RoHS Certificate of Compliance \(PDF\)](#)

General

Product Family	Quick Disconnects
Series	94030
Crimp Quality Equipment	Yes
Product Name	N/A
Type	Quick Disconnect
UPC	800753536555

Physical

Barrel Type	Open
Gender	Female
Glow-Wire Compliant	No
Insulation	None
Lock to Mating Part	No
Material - Metal	Brass
Material - Plating Mating	Unplated
Material - Plating Termination	Tin
Net Weight	0.293/g
Orientation	Straight
Packaging Type	Reel
Plating min - Mating	2.032µm
Plating min - Termination	2.032µm
Polarized to Mating Part	Yes
Tab Thickness	0.81mm
Tab Width	2.79mm
Temperature Range - Operating	-40°C to +80°C
Termination Interface: Style	Crimp or Compression
Wire Insulation Diameter	2.00-4.30mm
Wire Size AWG	16, 18, 20, 22, 24
Wire Size mm ²	0.50 - 1.50

Electrical

Voltage - Maximum	250V
-------------------	------

Material Info

Reference - Drawing Numbers

Sales Drawing	SD-94030-493X_M
---------------	-----------------

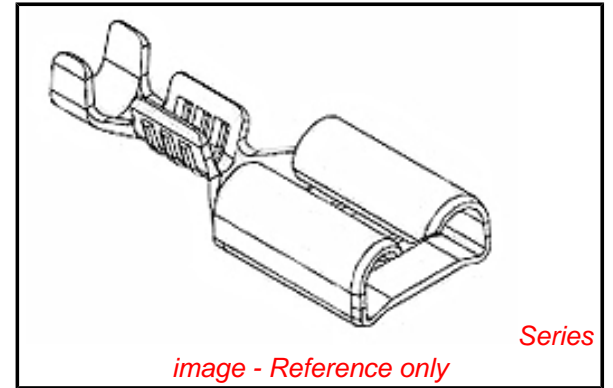


image - Reference only

EU RoHS

**ELV and RoHS
Compliant**

REACH SVHC

Not Reviewed

Low-Halogen Status

Not Reviewed

China RoHS



**Need more information on product
environmental compliance?**

Email productcompliance@molex.com
 For a multiple part number RoHS Certificate of Compliance, [click here](#)

Please visit the [Contact Us](#) section for any non-product compliance questions.

Search Parts in this Series

94030Series

Application Tooling | FAQ

Tooling specifications and manuals are found by selecting the products below. Crimp Height Specifications are then contained in the Application Tooling Specification document.

Global

Description	Product #
Hand Crimp Tool for Quick Disconnect Female Crimp Terminals	0638257200