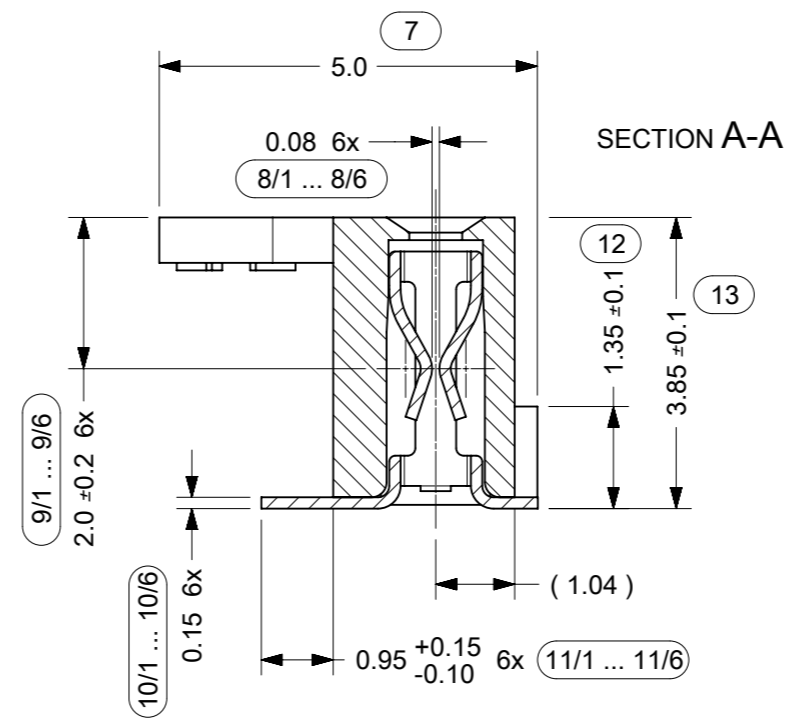
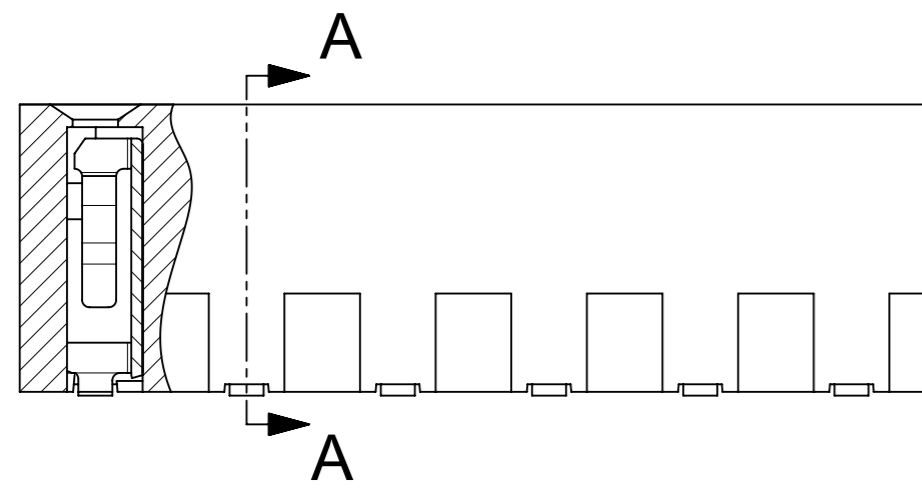
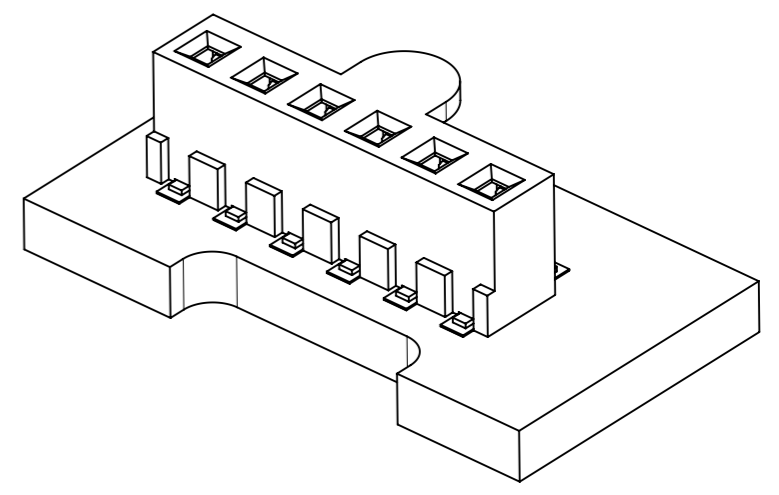
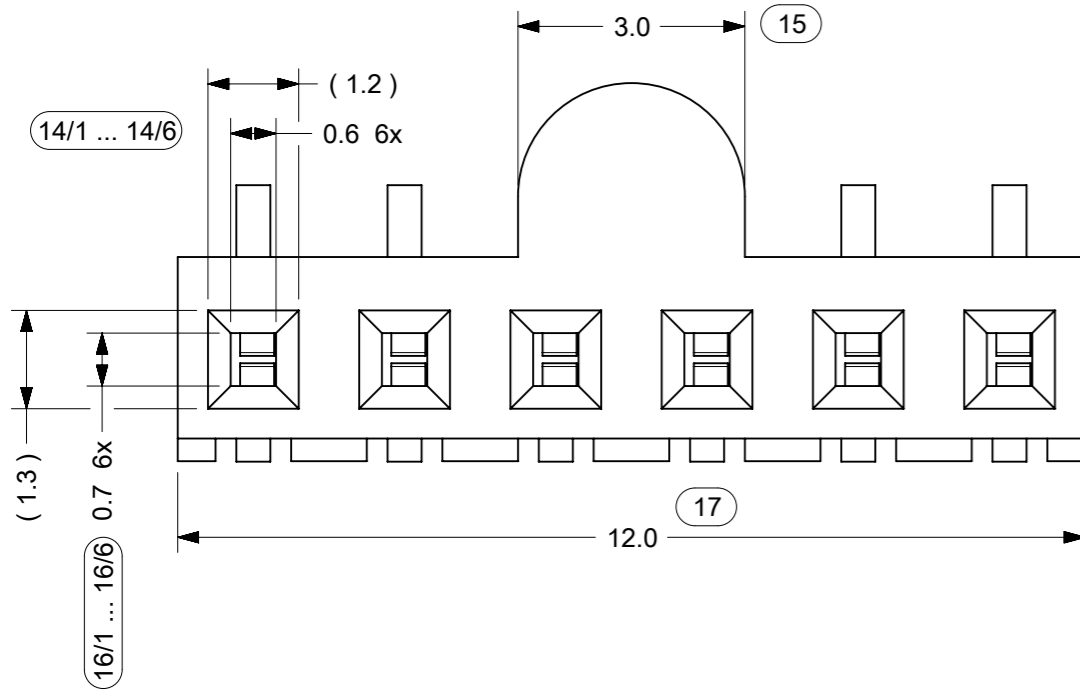


RECOMMENDED PCB LAYOUT
(VIEW FROM COMPONENT SIDE)
SCALE 5:1



NOTES

- 1) MATERIALS:
 - HOUSING: BLACK PA 46, 30 % GF, UL 94 V0
 - TERMINALS: 4 um PRETINNED C52100
- 2) SMT LEADS COPLANARITY: 0.15 mm MAX
- 3) PACKAGING: IN TAPE & REEL AS PER RPK-94103-001
- 4) (16800 pcs/BOX (2400 pcs/REEL - 7 REELS/BOX)
- 5) PRODUCT CHARACTERISTICS: ACCORDING TO PS 94103-005



| | | | | | |
|---------|---|---------|---------------------|------------------|----------------|
| SYMBOLS | THIS DRAWING CONTAINS INFORMATION THAT IS PROPRIETARY TO MOLEX ELECTRONIC TECHNOLOGIES, LLC AND SHOULD NOT BE USED WITHOUT WRITTEN PERMISSION | | | | |
| | DIMENSION UNITS | SCALE | | | |
| ▽ = 0 | mm | 10:1 | 626401 | DRAWING MIGRATED | |
| ▽ = 0 | GENERAL TOLERANCES (UNLESS SPECIFIED) | | DRWN: SBARBIERI | 2019/10/24 | |
| ▽ = 0 | ANGULAR TOL ± 2.0° | | CHK'D: PZANGIROLAMI | 2019/10/30 | |
| ▽ = 0 | 4 PLACES | ± | APPR: PZANGIROLAMI | 2019/10/30 | |
| ▽ = 0 | 3 PLACES | ± | INITIAL REVISION: | | |
| ▽ = 0 | 2 PLACES | ± 0.05 | DRWN: RFC_PLMIMP | 2018/05/17 | |
| ▽ = 0 | 1 PLACE | ± 0.1 | APPR: RMARTUCC | 2000/07/17 | |
| ▽ = 0 | 0 PLACES | ± | DOCUMENT NUMBER | | |
| ■ = 0 | DRAFT WHERE APPLICABLE MUST REMAIN WITHIN DIMENSIONS | | SD-94103-004 | | PSD 001 B1 |
| ▽ = 0 | FIRST ANGLE PROJECTION | DRAWING | SERIES | MATERIAL NUMBER | CUSTOMER |
| | | A3-SIZE | 94103 | 94103-5006 | GENERAL MARKET |
| | | | | | SHEET NUMBER |
| | | | | | 1 OF 1 |