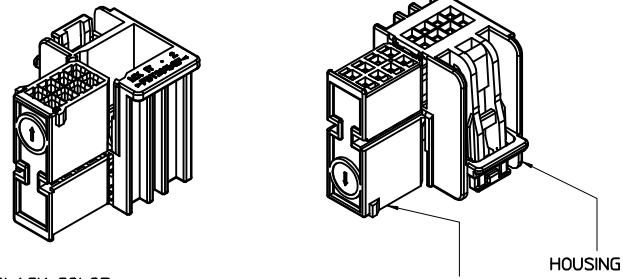


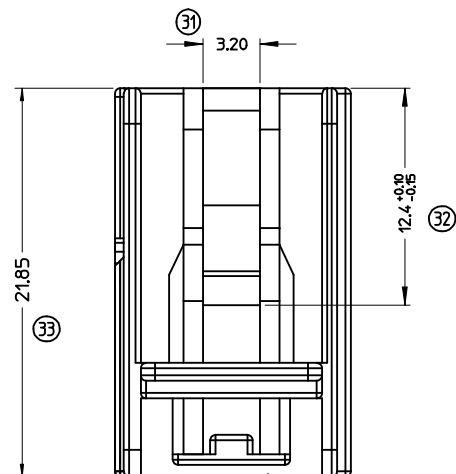
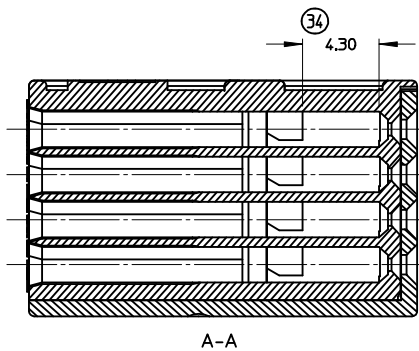
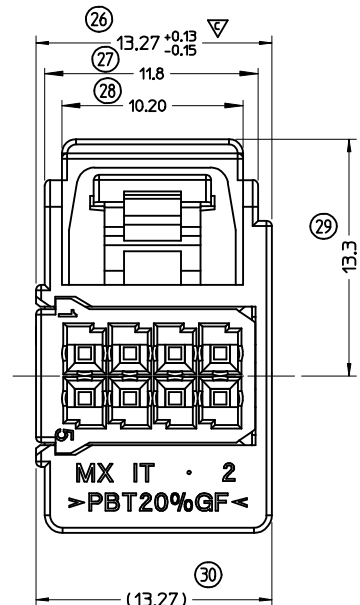
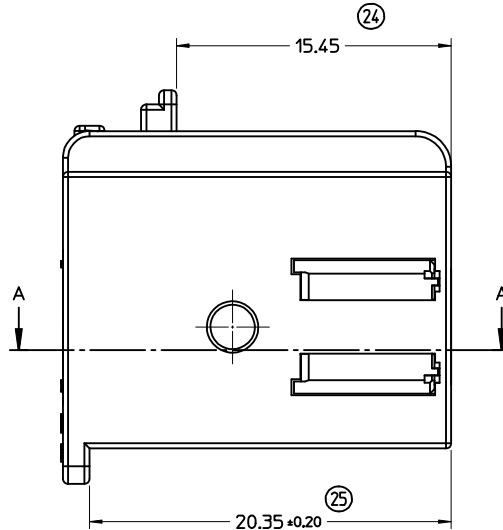
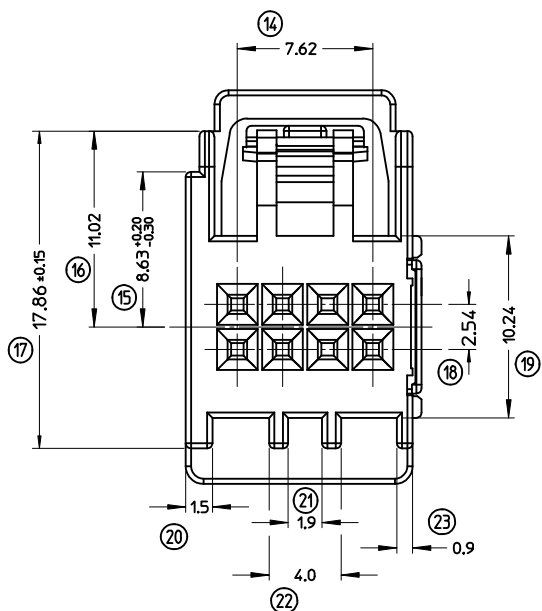
DELIVERY CONFIGURATION



- 1) MATERIAL: GLASS FILLED PBT, BLACK COLOR
- 2) USED WITH 98658 SERIES TERMINALS
- 3) MATES WITH 31341-2641 SERIES USCAR HEADERS
- 4) PACKAGING: IN CARTON BOXES (SEE DRAWING PK-94552-001 FOR DETAILS)
- 5) SPQ: 15840 pcs
- 6) IN THE EVENT OF PARTIAL OR TOTAL SEPARATION, PARTS DO NOT LOOSE THEIR FUNCTIONALITY

STD. DESCR: RECEPTACLE FOR MOX TERM, 8 CKT

EC NO: Z2014-0081 DRWN: SBARBIER 2014/01/09 CHKD: LSANTESSO 2014/01/10 APPR: FBISELLO 2014/01/10	QUALITY SYMBOLS ▽ - 0 ▽ - 0	GENERAL TOLERANCES (UNLESS SPECIFIED)		SCALE <b>5:1</b>	DESIGN UNITS <b>METRIC</b>	FIRST ANGLE PROJECTION	REVISE ON CAD ONLY
		4 PLACES ± --- ± --- 3 PLACES ± --- ± --- 2 PLACES ± 0.13 ± --- 1 PLACE ± 0.25 ± ---	mm    INCH	DIMENSION STYLE <b>MM ONLY</b>		TITLE <b>8 CKT POL. B USCAR 0.64MM RECEPTACLE FOR 98658 SERIES TERMINAL</b>	
		DRAFT WHERE APPLICABLE MUST REMAIN WITHIN DIMENSIONS		DRAWN BY SBARBIER	DATE 2007/04/11	MOLEX INCORPORATED	
		APPROVED BY FBISELLO		DATE 2007/04/11	MATERIAL NO. 94552-9008	DOCUMENT NO. SD-94552-001	SHEET NO. 1 OF 2
THIS DRAWING CONTAINS INFORMATION THAT IS PROPRIETARY TO MOLEX INCORPORATED AND SHOULD NOT BE USED WITHOUT WRITTEN PERMISSION							

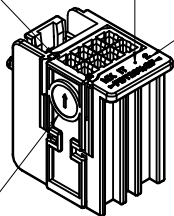


CIRCUIT # MARKING  
0.1mm ABOVE SURFACE

THE PRESENCE OF A  
DOT DENOTES PARTS  
OFF MOLD # 2

MOLEX LOGO,  
CAVITY NUMBER,  
MATERIAL DESIGNATION  
0.1mm ABOVE SURFACE

DATE INDICATOR



EC NO: Z2014-0081 DRWN: SBARBIER 2014/01/09 CHKD: LSANTESSO 2014/01/10 APPR: FBISELLO 2014/01/10	QUALITY SYMBOLS ▽ - 0 ▽ - 1	GENERAL TOLERANCES (UNLESS SPECIFIED)		SCALE <b>5:1</b>	DESIGN UNITS <b>METRIC</b>	FIRST ANGLE PROJECTION	REVISE ON CAD ONLY	
		4 PLACES ± --- ± --- 3 PLACES ± --- ± --- 2 PLACES ± 0.13 ± --- 1 PLACE ± 0.25 ± ---		DIMENSION STYLE <b>MM ONLY</b>		TITLE <b>8 CKT POL. B USCAR 0.64MM RECEPTACLE FOR 98658 SERIES TERMINAL</b>		
		ANGULAR ± 3° DRAFT WHERE APPLICABLE MUST REMAIN WITHIN DIMENSIONS		DRAWN BY SBARBIER 2007/04/11		MOLEX INCORPORATED		
				CHECKED BY LSANTESSO 2007/04/11		MATERIAL NO. <b>SEE SHT 1</b>		DOCUMENT NO. <b>SD-94552-001</b>

THIS DRAWING CONTAINS INFORMATION THAT IS PROPRIETARY TO MOLEX INCORPORATED AND SHOULD NOT BE USED WITHOUT WRITTEN PERMISSION