

**PLEASE CHECK WWW.MOLEX.COM FOR LATEST PART INFORMATION**

**Part Number:** [0009484078](#)  
**Status:** **Active**  
**Overview:** [KK® Interconnect System - Molex](#)  
**Description:** KK 396 PC Board Connector, Top Entry, Polyester Connector, 5.00µm Tin (Sn), 7 Circuits

**Documents:**

|                               |  |
|-------------------------------|--|
| <a href="#">Drawing (PDF)</a> | <a href="#">Product Specification PS-08-50-001 (PDF)</a>       |
| <a href="#">3D Model</a>      | <a href="#">Packaging Specification PK-41815-001-000 (PDF)</a> |
| <a href="#">Drawing (PDF)</a> | <a href="#">RoHS Certificate of Compliance (PDF)</a>           |

**Agency Certification**

|     |         |
|-----|---------|
| CSA | LR19980 |
| UL  | E29179  |

**General**

|                |   |
|----------------|---|
| Product Family | PCB Receptacles                                 |
| Series         | <a href="#">41815</a>                           |
| Application    | Board-to-Board, Power                           |
| Overview       | <a href="#">KK® Interconnect System - Molex</a> |
| Product Name   | KK 396  |
| UPC            | 800754247160                                    |

**Physical**

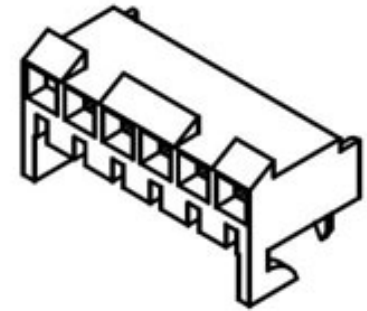
|                                |                           |
|--------------------------------|---------------------------|
| Circuits (Loaded)              | 7                         |
| Circuits (maximum)             | 7                         |
| Color - Resin                  | Natural                   |
| Flammability                   | 94V-0                     |
| Glow-Wire Capable              | No                        |
| Lock to Mating Part            | Yes                       |
| Material - Metal               | Phosphor Bronze           |
| Material - Plating Mating      | Tin                       |
| Material - Plating Termination | Tin                       |
| Material - Resin               | Polyester                 |
| Net Weight                     | 2.345/g                   |
| Number of Rows                 | 1                         |
| Orientation                    | Vertical                  |
| PC Tail Length                 | 3.05mm                    |
| PCB Locator                    | No                        |
| PCB Retention                  | None                      |
| PCB Thickness - Recommended    | 0.80mm                    |
| Packaging Type                 | Tray                      |
| Pitch - Mating Interface       | 3.96mm                    |
| Plating min - Mating           | 5.080µm                   |
| Plating min - Termination      | 5.080µm                   |
| Polarized to PCB               | No                        |
| Temperature Range - Operating  | See Product Specification |
| Termination Interface: Style   | Through Hole              |

**Electrical**

|                               |      |
|-------------------------------|------|
| Current - Maximum per Contact | 5.0A |
| Voltage - Maximum             | 250V |

**Solder Process Data**

|  |      |
|--|------|
| Duration at Max. Process Temperature (seconds) | 005  |
| Lead-free Process Capability                   | WAVE |
| Max. Cycles at Max. Process Temperature        | 001  |
| Process Temperature max. C                     | 235  |



Series image - Reference only

**EU ELV**

**Not Relevant**

**EU RoHS**

**Compliant**

**REACH SVHC**

Not Contained Per -  
ED/61/2018 (27 June  
2018)

**Halogen-Free**

**Status**

**Not Low-Halogen**

For more information, please visit [Contact US](#)

China ROHS

ELV

RoHS Phthalates

**China RoHS**

Green Image

Not Relevant

Not Contained

**Search Parts in this Series**

[41815 Series](#)

**Mates With**

KK 396 Header [41771](#) , [41772](#) , [41791](#) ,  
[41792](#) , [42491](#) , [42492](#) , [42891](#) , [41661](#) ,  
[41662](#) , [41671](#) , [41672](#) , [41681](#)

**Material Info**

Engineering Number

A-41815-0063

**Reference - Drawing Numbers**

Packaging Specification

PK-41815-001-000

Product Specification

PS-08-50-001

Sales Drawing

SDA-41815-000, SDA-41815-002

This document was generated on 11/26/2018

**PLEASE CHECK [WWW.MOLEX.COM](http://WWW.MOLEX.COM) FOR LATEST PART INFORMATION**