

FEATURES AND SPECIFICATIONS

Features and Benefits

- Optional mounting flanges
- Optional polarizing keys
- Housing accommodates terminals for 18 to 30 AWG

Reference Information

Packaging: Bag
 UL File No.: E29179
 CSA File No.: LR19980
 Use With: 4366, 4573 and 4574 terminals
 Designed In: Inches

Electrical

Voltage: 250V
 Current: 5.0A
 Contact Resistance: 20mΩ max.
 Dielectric Withstanding Voltage: 1500V AC
 Insulation Resistance: 50,000 MΩ min.

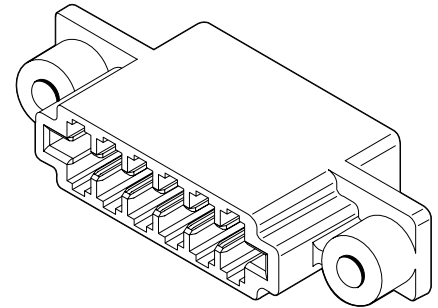
Physical

Housing: Polyester, UL 94V-0
 Temperature: 0 to +75°C
 Recommended PCB Thickness: 1.57mm (.062")

molex® 3.96mm (.156") Pitch

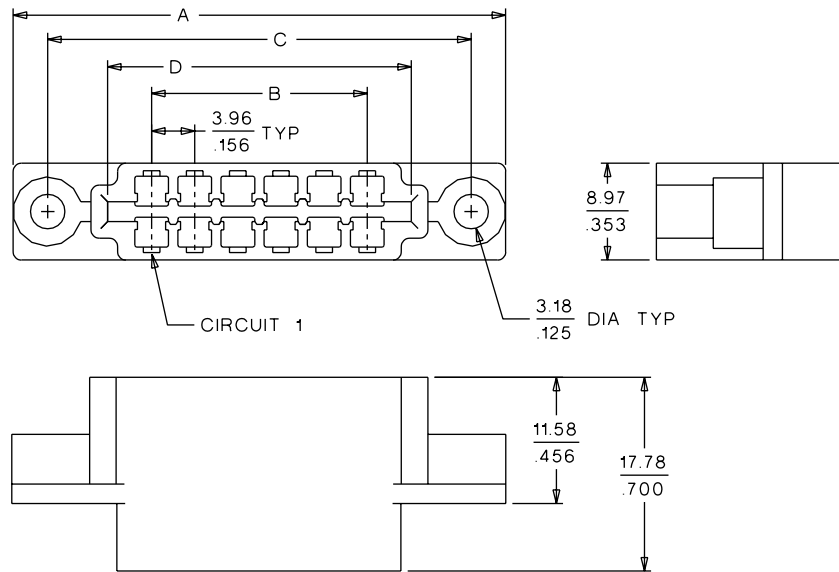
KK®
Double-Sided Edge Connector Housing

4338
Crimp Housing



Sockets and Edge Connectors

E



ORDERING INFORMATION

Dual Circuits	Order No.		Dimension			
	With Mounting Flange	Without Mounting Flange	A	B	C	D
6	• 09-50-6065	09-50-5065	45.24 (1.781)	19.81 (.780)	38.89 (1.531)	28.07 (1.105)
8	• 09-50-6085	09-50-5085	51.23 (2.017)	27.74 (1.092)	44.88 (1.767)	35.94 (1.415)
10	• 09-50-6105	09-50-5105	61.11 (2.406)	35.66 (1.404)	54.76 (2.156)	43.92 (1.729)
12	• 09-50-6125	09-50-5125	68.96 (2.715)	43.59 (1.716)	62.61 (2.465)	51.84 (2.041)
15	• 09-50-6155	09-50-5155	80.98 (3.188)	55.47 (2.184)	74.63 (2.938)	63.75 (2.510)
18	• 09-50-6185	09-50-5185	92.86 (3.656)	67.36 (2.652)	86.51 (3.406)	75.06 (2.955)
22	• 09-50-6225	09-50-5225	108.94 (4.289)	83.21 (3.276)	102.59 (4.039)	91.69 (3.610)
24	• 09-50-6245	09-50-5245	116.84 (4.600)	91.14 (3.588)	110.49 (4.350)	99.62 (3.922)
25	• 09-50-6255	09-50-5255	120.73 (4.753)	95.10 (3.744)	114.38 (4.503)	103.58 (4.078)
28	• 09-50-6285	09-50-5285	132.56 (5.219)	106.98 (4.212)	126.21 (4.969)	115.54 (4.549)

Optional Polarizing Keys	Order No.
6532 intercontact	15-04-0233
43072 on contact	15-05-1004

• US Standard Product, available through Molex franchised distributors