

Distributed by:

JAMECO[®]
ELECTRONICS

www.Jameco.com ♦ 1-800-831-4242

The content and copyrights of the attached
material are the property of its owner.

Jameco Part Number 1297871

FEATURES AND SPECIFICATIONS

Features and Benefits

- Optional mounting flanges
- Optional polarizing keys
- Housing accommodates terminals for 18 to 30 AWG

Reference Information

Packaging: Bag
 UL File No.: E29179
 CSA File No.: LR19980
 Use With: [4366](#), [4573](#) and [4574](#) terminals
 Designed In: Inches

Electrical

Voltage: 250V
 Current: 5.0A
 Contact Resistance: 20mΩ max.
 Dielectric Withstanding Voltage: 1500V AC
 Insulation Resistance: 50,000 MΩ min.

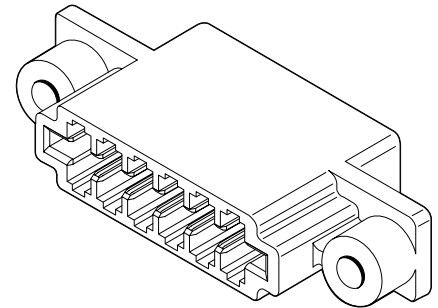
Physical

Housing: Polyester, UL 94V-0
 Operating Temperature: 0 to +75°C
 Recommended PCB Thickness: 1.57mm (.062")

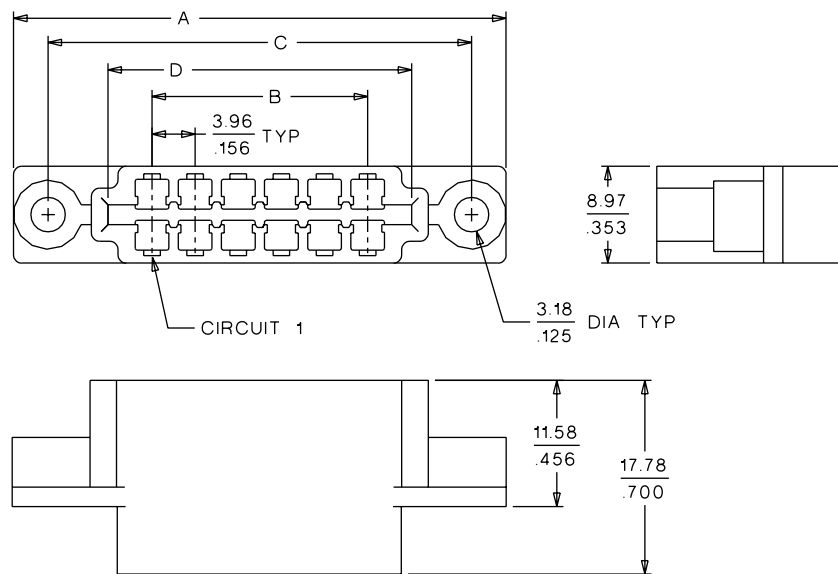


3.96mm (.156") Pitch KK® Double-Sided Edge Connector Housing

4338 Crimp Housing



CATALOG DRAWING (FOR REFERENCE ONLY)



ORDERING INFORMATION AND DIMENSIONS

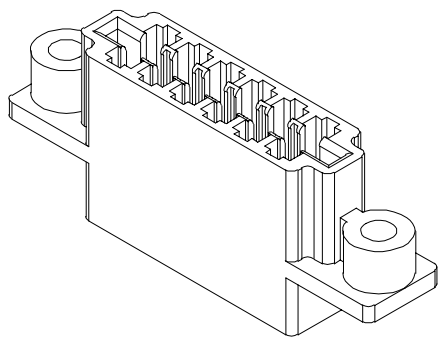
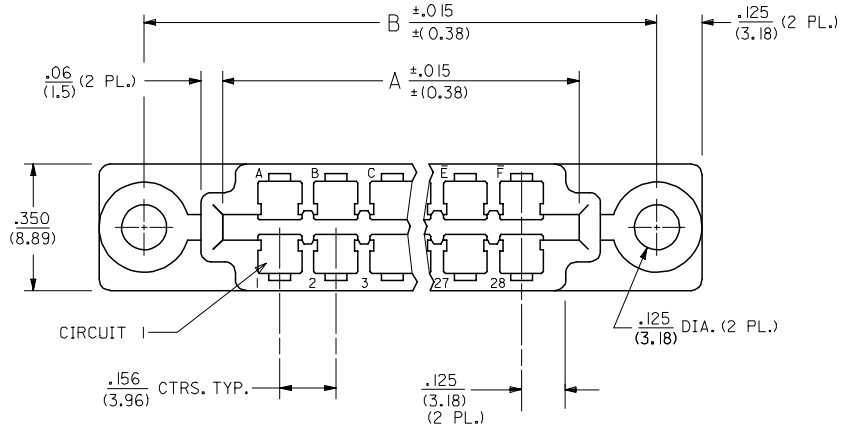
Dual Circuits	Order No.		Dimension			
	With Mounting Flange	Without Mounting Flange	A	B	C	D
6	• 09-50-6065	09-50-5065	45.24 (1.781)	19.81 (.780)	38.89 (1.531)	28.07 (1.105)
8	• 09-50-6085	09-50-5085	51.23 (2.017)	27.74 (1.092)	44.88 (1.767)	35.94 (1.415)
10	• 09-50-6105	09-50-5105	61.11 (2.406)	35.66 (1.404)	54.76 (2.156)	43.92 (1.729)
12	• 09-50-6125	09-50-5125	68.96 (2.715)	43.59 (1.716)	62.61 (2.465)	51.84 (2.041)
15	• 09-50-6155	09-50-5155	80.98 (3.188)	55.47 (2.184)	74.63 (2.938)	63.75 (2.510)
18	• 09-50-6185	09-50-5185	92.86 (3.656)	67.36 (2.652)	86.51 (3.406)	75.06 (2.955)
22	• 09-50-6225	09-50-5225	108.94 (4.289)	83.21 (3.276)	102.59 (4.039)	91.69 (3.610)
24	• 09-50-6245	09-50-5245	116.84 (4.600)	91.14 (3.588)	110.49 (4.350)	99.62 (3.922)
25	• 09-50-6255	09-50-5255	120.73 (4.753)	95.10 (3.744)	114.38 (4.503)	103.58 (4.078)
28	• 09-50-6285	09-50-5285	132.56 (5.219)	106.98 (4.212)	126.21 (4.969)	115.54 (4.549)

Optional Polarizing Keys	Order No.
6532 intercontact	15-04-0233
43072 on contact	15-05-1004

• US Standard Product, available through Molex franchised distributors

A	B	C	D	E	F	H	J	K	L	M	N	P	R	S	T	U	V	W	X	Y	Z	\bar{A}	\bar{B}	\bar{C}	\bar{D}	\bar{E}	\bar{F}
1	2	3	4	5	6	7	8	9	10	11	12	13	14	15	16	17	18	19	20	21	22	23	24	25	26	27	28

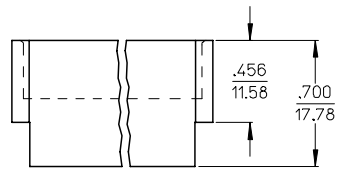
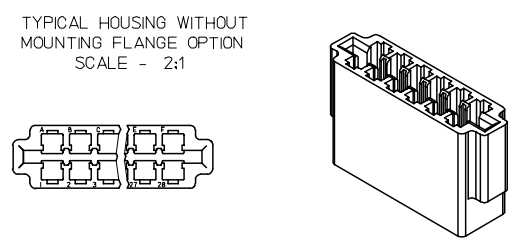
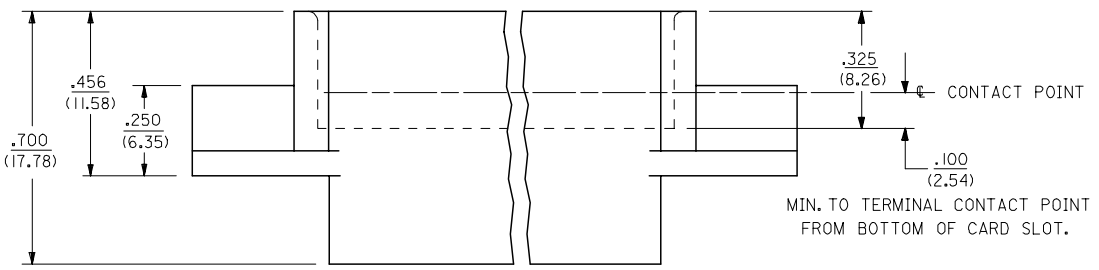
CIRCUIT IDENTIFICATION ON TOP SURFACE



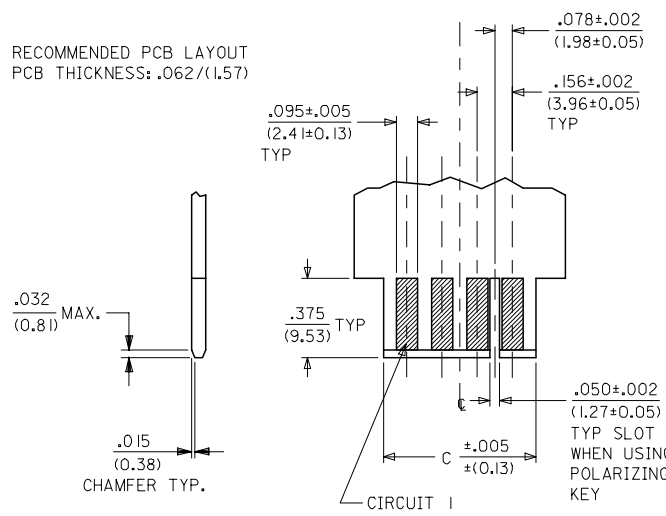
CKTS	DIM. "A"	DIM. "B" (W/FLANGES)	DIM C
6	1.105 (28.07)	1.531 (38.89)	1.085 (27.56)
8	1.415 (35.94)	1.767 (44.88)	1.395 (35.43)
10	1.729 (43.92)	2.156 (54.76)	1.709 (43.41)
12	2.041 (51.84)	2.465 (62.61)	2.021 (51.33)
15	2.510 (63.75)	2.938 (74.63)	2.490 (63.25)
18	2.955 (75.06)	3.406 (86.51)	2.935 (74.55)
22	3.610 (91.69)	4.039 (102.59)	3.590 (91.19)
24	3.922 (99.62)	4.350 (110.49)	3.902 (99.11)
25	4.078 (103.58)	4.503 (114.38)	4.058 (103.07)
28	4.549 (115.54)	4.969 (126.21)	4.529 (115.04)

LEGEND
4338-***

CIRCUIT SIZE
I=W.O./FLANGES
BLANK=W./FLANGES



RECOMMENDED PCB LAYOUT
PCB THICKNESS: .062/(1.57)



- NOTES:
1. MATERIAL: GLASS FILLED POLYESTER, UL94V-0, MOLDED BLACK.
 2. FINISH: N/A
 3. THIS PRODUCT CONFORMS TO PRODUCT SPECIFICATION PS-09-50.
 4. PARTS ARE BULK PACKAGED.
 5. THIS HOUSING ACCEPTS THE FOLLOWING TERMINALS:
CRIMP TERMINAL NUMBER: 4366 AND 4573
SOLDER LUG TERMINAL NUMBER: 4574

2	C	ADD VIEWS	EC NO: UCP2007-0246	2006/08/02	QUALITY SYMBOLS
1	C	DRWN:ADER	2006/08/02	2006/08/03	GENERAL TOLERANCES (UNLESS SPECIFIED)
SH.	REV.	CHKD:LSHMI DT	2006/08/03	APPR:FSM TH	DESCRIPTION

GENERAL TOLERANCES (UNLESS SPECIFIED)	
mm	INCH
4 PLACES ± ---	± ---
3 PLACES ± ---	± .010
2 PLACES ± 0.25	± .014
1 PLACE ± 0.35	± ---
ANGULAR ±1/2°	

DIMENSION STYLE		SCALE		DESIGN UNITS		THIRD ANGLE PROJECTION	
IN/MM		4:1		INCH		⊗ □	
DRAWN BY	ROBERTS	DATE	1991/09/09	TITLE	HOUSING, DOUBLE ROW CONNECTOR		
CHECKED BY	PATEL	DATE	1991/09/09				
APPROVED BY	LENZ	DATE	1991/09/09				
MATERIAL NO.	SEE CHART			DOCUMENT NO.	SD-4338		
	DRAFT WHERE APPLICABLE MUST REMAIN WITHIN DIMENSIONS				THIS DRAWING CONTAINS INFORMATION THAT IS PROPRIETARY TO MOLEX INCORPORATED AND SHOULD NOT BE USED WITHOUT WRITTEN PERMISSION		

MATERIAL NO.		DOCUMENT NO.		SHEET NO.	
SEE CHART		SD-4338		1 OF 2	

