

Distributed by:

JAMECO[®]
ELECTRONICS

www.Jameco.com ♦ 1-800-831-4242

The content and copyrights of the attached
material are the property of its owner.

Jameco Part Number 463662

FEATURES AND SPECIFICATIONS

Features and Benefits

- Sizes 2 to 24 circuits
- Locking ramp available
- Molded void options available
- Standard ramp options available
- Polarizing pegs and keys available
- End-to-end stackable

Reference Information

Product Specification: PS-08-50

Packaging: Bag

UL File No.: E29179

CSA File No.: LR19980

Mates With: Molex KK 3.96mm (.156") pitch headers or

1.14mm (.045") pins

Use With: 2478 and 2578

Designed In: Inches

Electrical

Voltage: 250V AC max.

Current: Phosphor Bronze—7.0A max.

Brass—5.0A max.

Contact Resistance: 6mΩ max.

Dielectric Withstanding Voltage: 1500V AC

Insulation Resistance: 50K MΩ min.

Mechanical

Contact Insertion Force: 1.8kg (4 lb) max.

Contact Retention to Housing: 3.6kg (8 lb) min.

Mating Force: Square pin—2.25 lb max.

Round pin—1.60 lb max.

Unmating Force: Square pin—0.84 lb min.

Round pin—0.60 lb min.

Normal Force: 0.75kg (1.65 lb)

Physical

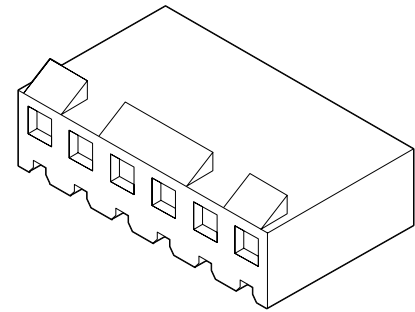
Housing: Nylon, UL 94V-2 (see 41695 for UL 94V-0 polyester)

Operating Temperature: 0 to +75°C



3.96mm (.156") Pitch KK® Crimp Terminal Housing

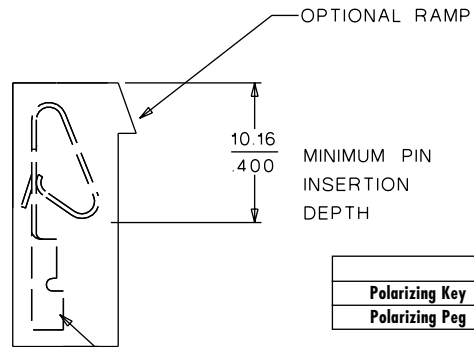
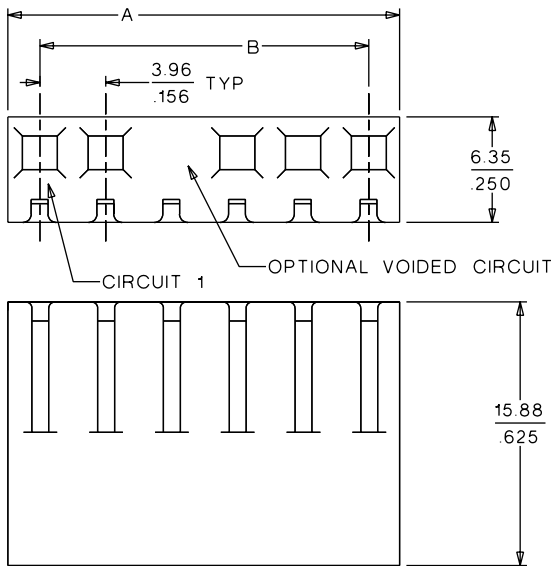
2139



D

3.00 to 7.92mm (.118 to .312") Pitch

CATALOG DRAWING (FOR REFERENCE ONLY)



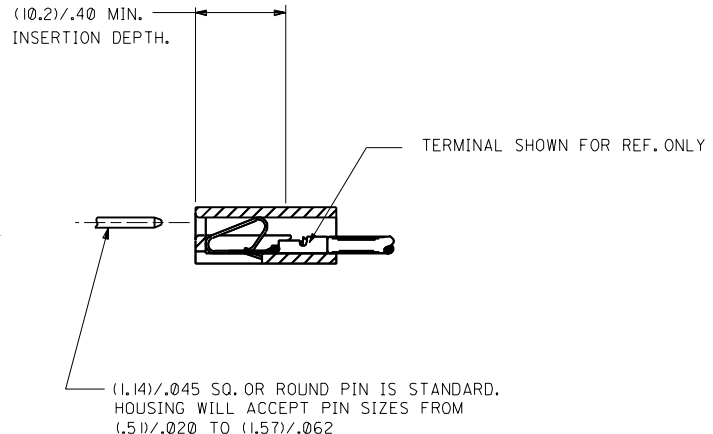
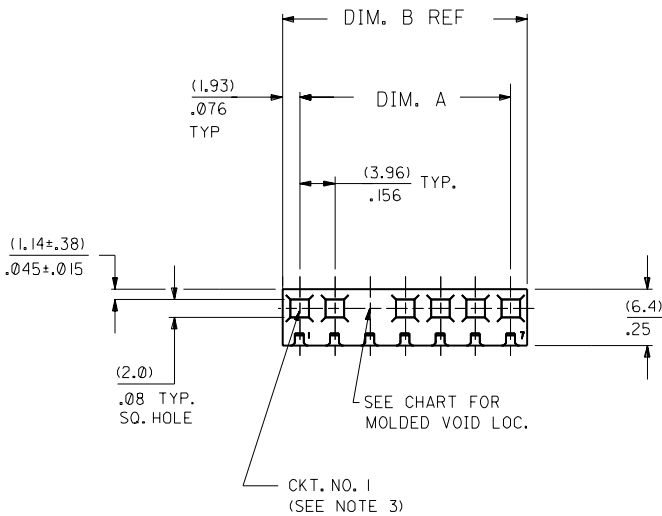
	Order No.
Polarizing Key	• 15-04-0219
Polarizing Peg	• 15-04-0220

ORDERING INFORMATION AND DIMENSIONS

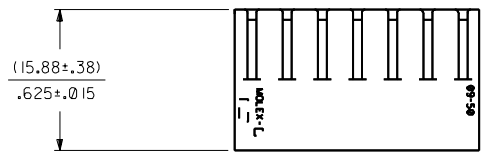
Circuits	Order No.		Dimension	
	Without Locking Ramp	With Locking Ramp	A	B
2	• 09-50-7021	• 09-50-3021	7.92 (.310)	3.96 (.156)
3	• 09-50-7031	• 09-50-3031	11.79 (.460)	7.92 (.312)
4	• 09-50-7041	• 09-50-3041	15.75 (.620)	11.89 (.468)
5	• 09-50-7051	• 09-50-3051	19.71 (.780)	15.85 (.624)
6	• 09-50-7061	• 09-50-3061	23.67 (.930)	19.81 (.780)
7	• 09-50-7071	• 09-50-3071	27.64 (1.090)	23.77 (.936)
8	• 09-50-7081	• 09-50-3081	31.60 (1.240)	27.74 (1.092)
9	• 09-50-7091	• 09-50-3091	35.56 (1.400)	31.70 (1.248)
10	• 09-50-7101	• 09-50-3101	39.52 (1.560)	35.66 (1.404)
11	• 09-50-7111	• 09-50-3111	43.48 (1.710)	39.62 (1.560)
12	• 09-50-7121	• 09-50-3121	47.45 (1.870)	43.59 (1.716)
13	• 09-50-7131	• 09-50-3131	51.41 (2.020)	47.55 (1.872)

Circuits	Order No.		Dimension	
	Without Locking Ramp	With Locking Ramp	A	B
14	• 09-50-7141	• 09-50-3141	55.37 (2.180)	51.51 (2.028)
15	• 09-50-7151	• 09-50-3151	59.33 (2.340)	55.47 (2.184)
16	• 09-50-7161	• 09-50-3161	63.30 (2.492)	59.44 (2.340)
17	• 09-50-7171	• 09-50-3171	67.26 (2.648)	63.40 (2.496)
18	• 09-50-7181	• 09-50-3181	71.22 (2.804)	67.36 (2.652)
19	• 09-50-7191	• 09-50-3191	75.18 (2.960)	71.32 (2.808)
20	• 09-50-7201	• 09-50-3201	79.15 (3.116)	75.28 (2.964)
21	• 09-50-7211	• 09-50-3211	83.11 (3.272)	79.25 (3.120)
22	• 09-50-7221	• 09-50-3221	87.07 (3.428)	83.21 (3.276)
23	• 09-50-7231	• 09-50-3231	91.03 (3.584)	87.17 (3.432)
24	• 09-50-7241	• 09-50-3241	95.00 (3.740)	91.14 (3.588)

• US Standard Product, available through Molex franchised distributors
Note: Use 41695 for .100" and over insulation diameter wire



DIM. A	DIM. B	NO. OF
(3.96±.13)	(7.82)	2
.156±.005	.308	
(7.92±.13)	(11.79)	3
.312±.005	.464	
(11.89±.13)	(15.75)	4
.468±.005	.620	
(15.85±.13)	(19.71)	5
.624±.005	.776	
(19.81±.13)	(23.67)	6
.780±.005	.932	
(23.77±.13)	(27.64)	7
.936±.005	1.088	
(27.74±.25)	(31.60)	8
1.092±.010	1.244	
(31.70±.25)	(35.56)	9
1.248±.010	1.400	
(35.66±.25)	(39.52)	10
1.404±.010	1.556	
(39.62±.25)	(43.48)	11
1.560±.010	1.712	
(43.59±.25)	(47.45)	12
1.716±.010	1.868	
(47.55±.31)	(51.41)	13
1.872±.012	2.024	
(51.51±.36)	(55.37)	14
2.028±.014	2.180	
(55.47±.36)	(59.33)	15
2.184±.014	2.336	
(59.44±.36)	(63.30)	16
2.340±.014	2.492	
(63.40±.36)	(67.26)	17
2.496±.014	2.648	
(67.36±.36)	(71.22)	18
2.652±.014	2.804	
(71.32±.36)	(75.18)	19
2.808±.014	2.960	
(75.29±.36)	(79.15)	20
2.964±.014	3.116	
(79.25±.46)	(83.11)	21
3.120±.018	3.272	
(83.21±.46)	(87.07)	22
3.276±.018	3.428	
(87.17±.46)	(91.03)	23
3.432±.018	3.584	
(91.14±.46)	(95.00)	24
3.588±.018	3.740	



- NOTES:
- THIS HOUSING FOR USE WITH TERMINAL NO. 2478 (18 TO 24 GA) & 2578 (22 TO 26 GA), WITH (2.54)±.100 MAX. INSULATION DIA.. HOUSING 41695 IS RECOMMENDED FOR OVER (2.54)±.100 DIA. INSULATION.
 - DIMENSIONS GIVEN ACROSS CENTERLINES ARE SYMMETRICAL ABOUT THOSE CENTERLINES WITHIN HALF THE TOTAL TOLERANCE.
 - FIRST CKT. NO. ON 1 THRU 5 CKT. HOUSINGS. FIRST AND LAST CKT. NO. ON 6 CKT. HOUSINGS AND LARGER.
 - MAX BOW .005 MM/MM OR .005 IN/IN
 - PARTS CONFORM TO PRODUCT SPECIFICATION PS-08-50.
 - 2139-NP-# IN MANUFACTURED IN SINGAPORE ONLY

OPTION CODE

OPT. CODE	RAMP	POL. RIB	EARS	MATERIAL	ENGRAVING	PACKAGING
A	STD. RAMP	NO	NO	NYLON 94V-2	STD.	PK-2139-001
C	NONE	NO	NO	NYLON 94V-2	STD.	PK-2139-002
G	WIDE RAMP	NO	NO	NYLON 94V-2	STD.	PK-2139-001
M	STD. RAMP	NO	NO	NYLON 6 94V-2	STD.	TBD-INDIA
N	NONE	NO	NO	NYLON 6 94V-2	STD.	TBD-INDIA
P	STD. RAMP	YES	NO	NYLON 94V-2	STD.	TBD SINGAPORE

NO. OF CKT'S. 2139-N***-***

SELECTIVE RAMP LOC.
 BLANK=NONE
 AA=1ST. SEL. LOC.
 AB=2ND. SEL. LOC., ETC.

VOID CODE
 NO. CORRESPONDS TO
 CKT. NO. VOIDED.
 MULT. VOIDS START WITH 51.

COLOR CODE
 BLANK=NATURAL
 GN=GREEN
 YW=YELLOW
 RD=RED
 OR=ORNAGE
 BU=BLUE
 BK=BLACK

REVISIONS

4	AE	
3	AB	
2	AB1	OBS PARTS
1	AE	JCR2001-0981 17/5/01 SAMEEC

MFG. SH. REV. LTR. REVISIONS

CONECTOR HOUSING,
 .156 CRIMP TERMINAL
 2139 SERIES DWG

MOLEX INCORPORATED SHEET NO. DATE
 10F 4 1 / 117 / 86

SEE CHART SD-2139

DRG. NAME: APPLICABLE MUST REMAIN WITHIN DIMENSIONS
 DRG. NO. :
 DRG. DATE :
 DRG. SCALE :
 DRG. BY :
 DRG. CHECKED BY :
 DRG. APPROVED BY :
 DRG. DATE :
 DRG. SCALE :
 DRG. BY :
 DRG. CHECKED BY :
 DRG. APPROVED BY :

