

Distributed by:

JAMECO[®]
ELECTRONICS

www.Jameco.com ♦ 1-800-831-4242

The content and copyrights of the attached
material are the property of its owner.

Jameco Part Number 463700

FEATURES AND SPECIFICATIONS

Features and Benefits

- Sizes 2 to 24 circuits
- Locking ramp available
- Molded void options available
- Standard ramp options available
- Polarizing pegs and keys available
- End-to-end stackable

Reference Information

Product Specification: PS-08-50

Packaging: Bag

UL File No.: E29179

CSA File No.: LR19980

Mates With: Molex KK 3.96mm (.156") pitch headers or

1.14mm (.045") pins

Use With: 2478 and 2578

Designed In: Inches

Electrical

Voltage: 250V AC max.

Current: Phosphor Bronze—7.0A max.

Brass—5.0A max.

Contact Resistance: 6mΩ max.

Dielectric Withstanding Voltage: 1500V AC

Insulation Resistance: 50K MΩ min.

Mechanical

Contact Insertion Force: 1.8kg (4 lb) max.

Contact Retention to Housing: 3.6kg (8 lb) min.

Mating Force: Square pin—2.25 lb max.

Round pin—1.60 lb max.

Unmating Force: Square pin—0.84 lb min.

Round pin—0.60 lb min.

Normal Force: 0.75kg (1.65 lb)

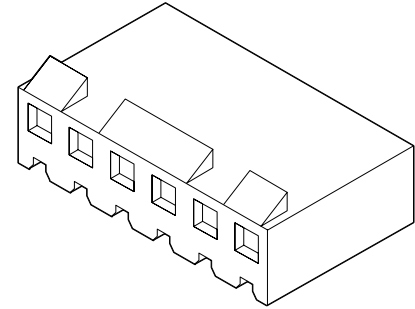
Physical

Housing: Nylon, UL 94V-2 (see 41695 for UL 94V-0 polyester)

Operating Temperature: 0 to +75°C

molex® 3.96mm (.156") Pitch KK® Crimp Terminal Housing

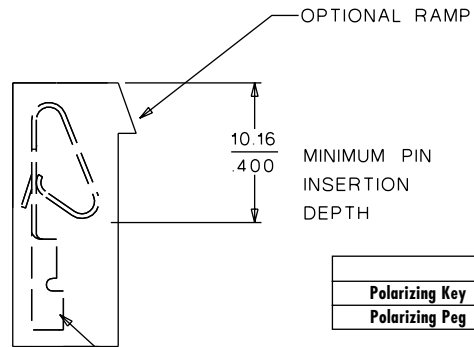
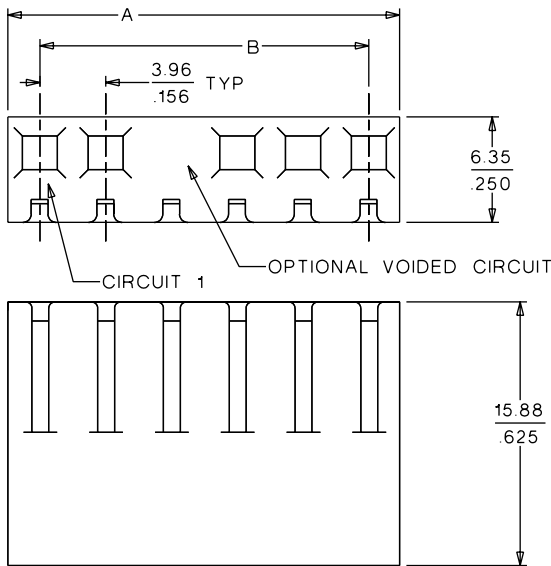
2139



D

3.00 to 7.92mm (.118 to .312") Pitch

CATALOG DRAWING (FOR REFERENCE ONLY)



	Order No.
Polarizing Key	• 15-04-0219
Polarizing Peg	• 15-04-0220

TERMINAL SHOWN FOR REFERENCE ONLY

ORDERING INFORMATION AND DIMENSIONS

Circuits	Order No.		Dimension	
	Without Locking Ramp	With Locking Ramp	A	B
2	• 09-50-7021	• 09-50-3021	7.92 (.310)	3.96 (.156)
3	• 09-50-7031	• 09-50-3031	11.79 (.460)	7.92 (.312)
4	• 09-50-7041	• 09-50-3041	15.75 (.620)	11.89 (.468)
5	• 09-50-7051	• 09-50-3051	19.71 (.780)	15.85 (.624)
6	• 09-50-7061	• 09-50-3061	23.67 (.930)	19.81 (.780)
7	• 09-50-7071	• 09-50-3071	27.64 (1.090)	23.77 (.936)
8	• 09-50-7081	• 09-50-3081	31.60 (1.240)	27.74 (1.092)
9	• 09-50-7091	• 09-50-3091	35.56 (1.400)	31.70 (1.248)
10	• 09-50-7101	• 09-50-3101	39.52 (1.560)	35.66 (1.404)
11	• 09-50-7111	• 09-50-3111	43.48 (1.710)	39.62 (1.560)
12	• 09-50-7121	• 09-50-3121	47.45 (1.870)	43.59 (1.716)
13	• 09-50-7131	• 09-50-3131	51.41 (2.020)	47.55 (1.872)

Circuits	Order No.		Dimension	
	Without Locking Ramp	With Locking Ramp	A	B
14	• 09-50-7141	• 09-50-3141	55.37 (2.180)	51.51 (2.028)
15	• 09-50-7151	• 09-50-3151	59.33 (2.340)	55.47 (2.184)
16	• 09-50-7161	• 09-50-3161	63.30 (2.492)	59.44 (2.340)
17	• 09-50-7171	• 09-50-3171	67.26 (2.648)	63.40 (2.496)
18	• 09-50-7181	• 09-50-3181	71.22 (2.804)	67.36 (2.652)
19	• 09-50-7191	• 09-50-3191	75.18 (2.960)	71.32 (2.808)
20	• 09-50-7201	• 09-50-3201	79.15 (3.116)	75.28 (2.964)
21	• 09-50-7211	• 09-50-3211	83.11 (3.272)	79.25 (3.120)
22	• 09-50-7221	• 09-50-3221	87.07 (3.428)	83.21 (3.276)
23	• 09-50-7231	• 09-50-3231	91.03 (3.584)	87.17 (3.432)
24	• 09-50-7241	• 09-50-3241	95.00 (3.740)	91.14 (3.588)

• US Standard Product, available through Molex franchised distributors
Note: Use 41695 for .100" and over insulation diameter wire

