

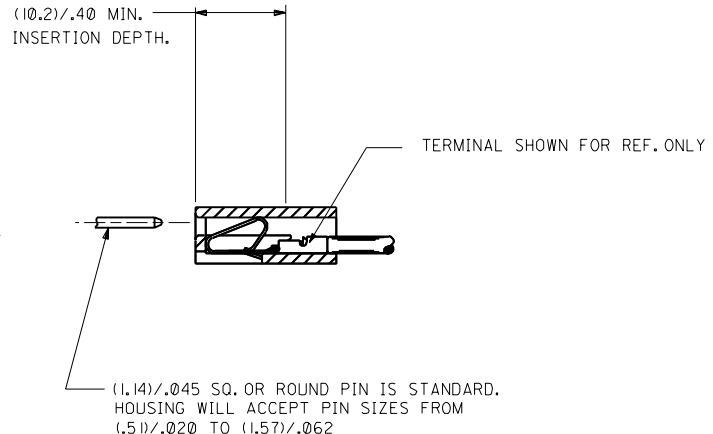
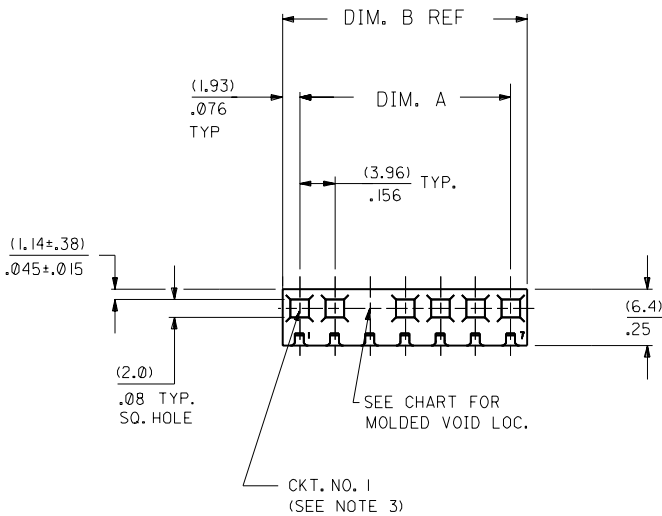
Distributed by:

JAMECO[®]
ELECTRONICS

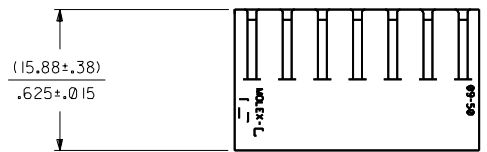
www.Jameco.com ♦ 1-800-831-4242

The content and copyrights of the attached
material are the property of its owner.

Jameco Part Number 481254



DIM. A	DIM. B	NO. OF
(3.96±.13)	(7.82)	2
.156±.005	.308	
(7.92±.13)	(11.79)	3
.312±.005	.464	
(11.89±.13)	(15.75)	4
.468±.005	.620	
(15.85±.13)	(19.71)	5
.624±.005	.776	
(19.81±.13)	(23.67)	6
.780±.005	.932	
(23.77±.13)	(27.64)	7
.936±.005	1.088	
(27.74±.25)	(31.60)	8
1.092±.010	1.244	
(31.70±.25)	(35.56)	9
1.248±.010	1.400	
(35.66±.25)	(39.52)	10
1.404±.010	1.556	
(39.62±.25)	(43.48)	11
1.560±.010	1.712	
(43.59±.25)	(47.45)	12
1.716±.010	1.868	
(47.55±.31)	(51.41)	13
1.872±.012	2.024	
(51.51±.36)	(55.37)	14
2.028±.014	2.180	
(55.47±.36)	(59.33)	15
2.184±.014	2.336	
(59.44±.36)	(63.30)	16
2.340±.014	2.492	
(63.40±.36)	(67.26)	17
2.496±.014	2.648	
(67.36±.36)	(71.22)	18
2.652±.014	2.804	
(71.32±.36)	(75.18)	19
2.808±.014	2.960	
(75.29±.36)	(79.15)	20
2.964±.014	3.116	
(79.25±.46)	(83.11)	21
3.120±.018	3.272	
(83.21±.46)	(87.07)	22
3.276±.018	3.428	
(87.17±.46)	(91.03)	23
3.432±.018	3.584	
(91.14±.46)	(95.00)	24
3.588±.018	3.740	



- NOTES:
- THIS HOUSING FOR USE WITH TERMINAL NO. 2478 (18 TO 24 GA) & 2578 (22 TO 26 GA), WITH (2.54) .100 MAX. INSULATION DIA.. HOUSING 41695 IS RECOMMENDED FOR OVER (2.54) .100 DIA. INSULATION.
 - DIMENSIONS GIVEN ACROSS CENTERLINES ARE SYMMETRICAL ABOUT THOSE CENTERLINES WITHIN HALF THE TOTAL TOLERANCE.
 - FIRST CKT. NO. ON 1 THRU 5 CKT. HOUSINGS. FIRST AND LAST CKT. NO. ON 6 CKT. HOUSINGS AND LARGER.
 - MAX BOW .005 MM/MM OR .005 IN/IN
 - PARTS CONFORM TO PRODUCT SPECIFICATION PS-08-50.
 - 2139-NP-# IN MANUFACTURED IN SINGAPORE ONLY

OPTION CODE

OPT. CODE	RAMP	POL. RIB	EARS	MATERIAL	ENGRAVING	PACKAGING
A	STD. RAMP	NO	NO	NYLON 94V-2	STD.	PK-2139-001
C	NONE	NO	NO	NYLON 94V-2	STD.	PK-2139-002
G	WIDE RAMP	NO	NO	NYLON 94V-2	STD.	PK-2139-001
M	STD. RAMP	NO	NO	NYLON 6 94V-2	STD.	TBD-INDIA
N	NONE	NO	NO	NYLON 6 94V-2	STD.	TBD-INDIA
P	STD. RAMP	YES	NO	NYLON 94V-2	STD.	TBD SINGAPORE

NO. OF CKT'S. 2139-N***-***

SELECTIVE RAMP LOC.
 BLANK=NONE
 AA=1ST. SEL. LOC.
 AB=2ND. SEL. LOC., ETC.

VOID CODE
 NO. CORRESPONDS TO
 CKT. NO. VOIDED.
 MULT. VOIDS START WITH 51.

COLOR CODE
 BLANK=NATURAL
 GN=GREEN
 YW=YELLOW
 RD=RED
 OR=ORNAGE
 BU=BLUE
 BK=BLACK

SEE NOTE 6

DIMENSIONS SHOWN UNLESS OTHERWISE SPECIFIED ARE IN MILLIMETERS (INCHES IN PARENTHESIS)

1 P.L. ± 0.25	1 P.L. ± 0.25
2 P.L. ± 0.14 ± 0.25	2 P.L. ± 0.14 ± 0.25
1 P.L. ± 0.36	1 P.L. ± 0.36

MOLEX INCORPORATED
 CONNECTOR HOUSING, .156 CRIMP TERMINAL, 2139 SERIES DWG.
 SHEET NO. 1 OF 4
 DATE 1/17/86
 SEE CHART SD-2139

REVISIONS

4	AE	
3	AB	
2	AB1	OBS PARTS JCR2001-0981 1/25/01 SAMEC
1	AE	

MFG. SH. REV. LTR. REVISIONS

REVISION ONLY ON CAD SYSTEM

DRG. ENGR. LENZ

DATE: 1/17/86

SCALE: 1:1

APP. PAT. L. D. D.

