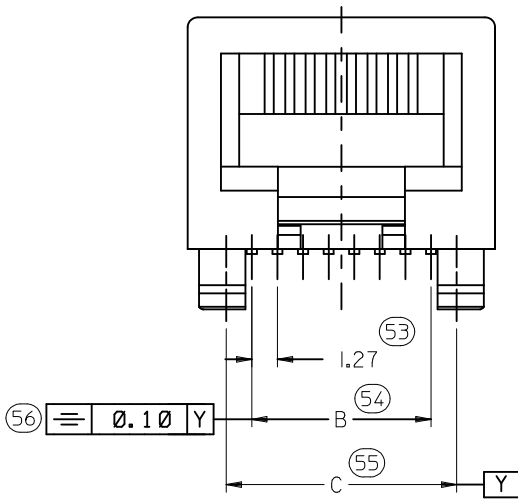
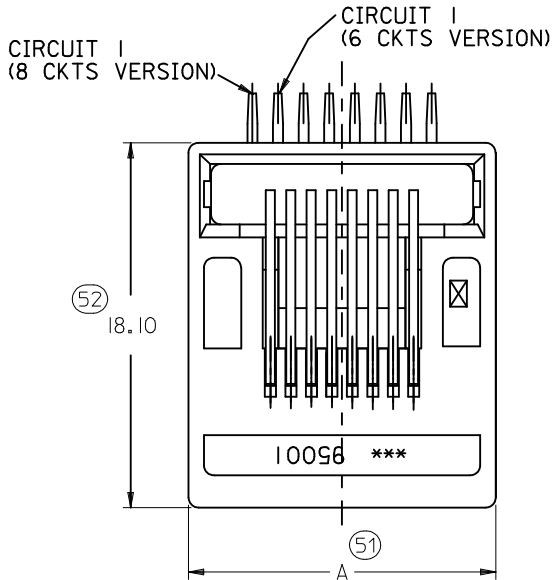


10 9 8 7 6 5 4 3 2 1

**6 & 8 VERSIONS**

8 VERSION SHOWN

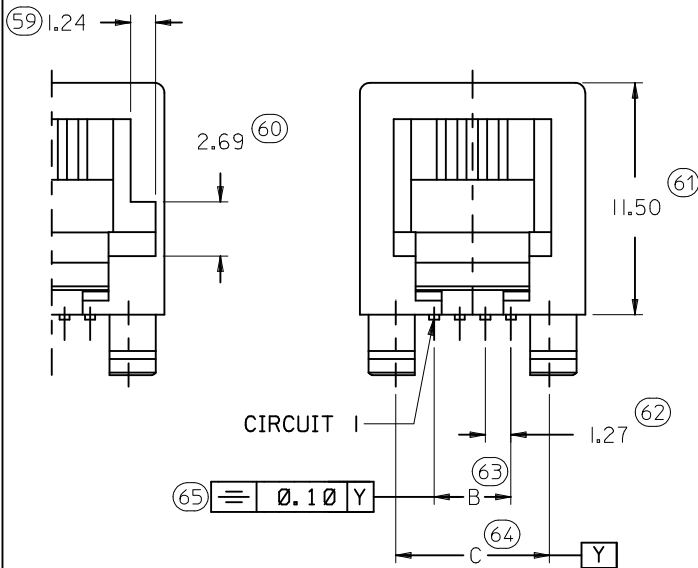


TYPE DIM.	POS. 4	POS. 6		POS. 8
	4 CKTS.	4 CKTS.	6 CKTS.	8 CKTS.
A	11.18	13.21	13.21	15.24
C	7.62	10.16	10.16	11.43
B	3.81	3.81	6.35	8.89

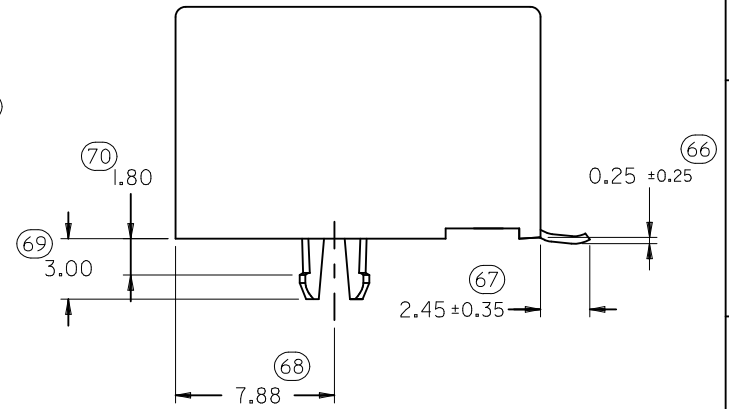
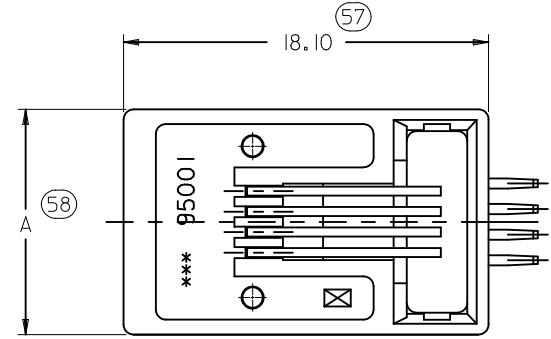
**NOTES :**

- 1- MATERIAL:
    - HOUSING: LCP GLASS FILLED UL 94V-0, COLOUR BLACK.
  - 2- SEE OTHER NOTES SHEET 1
  - 3- COPLANARITY OF SIGNAL TAILS 0.10MM
- INSPECTION NUMBERS USED: 51 - 100  
LAST INSPECTION NUMBER: 70

**OPTIONAL KEYING**



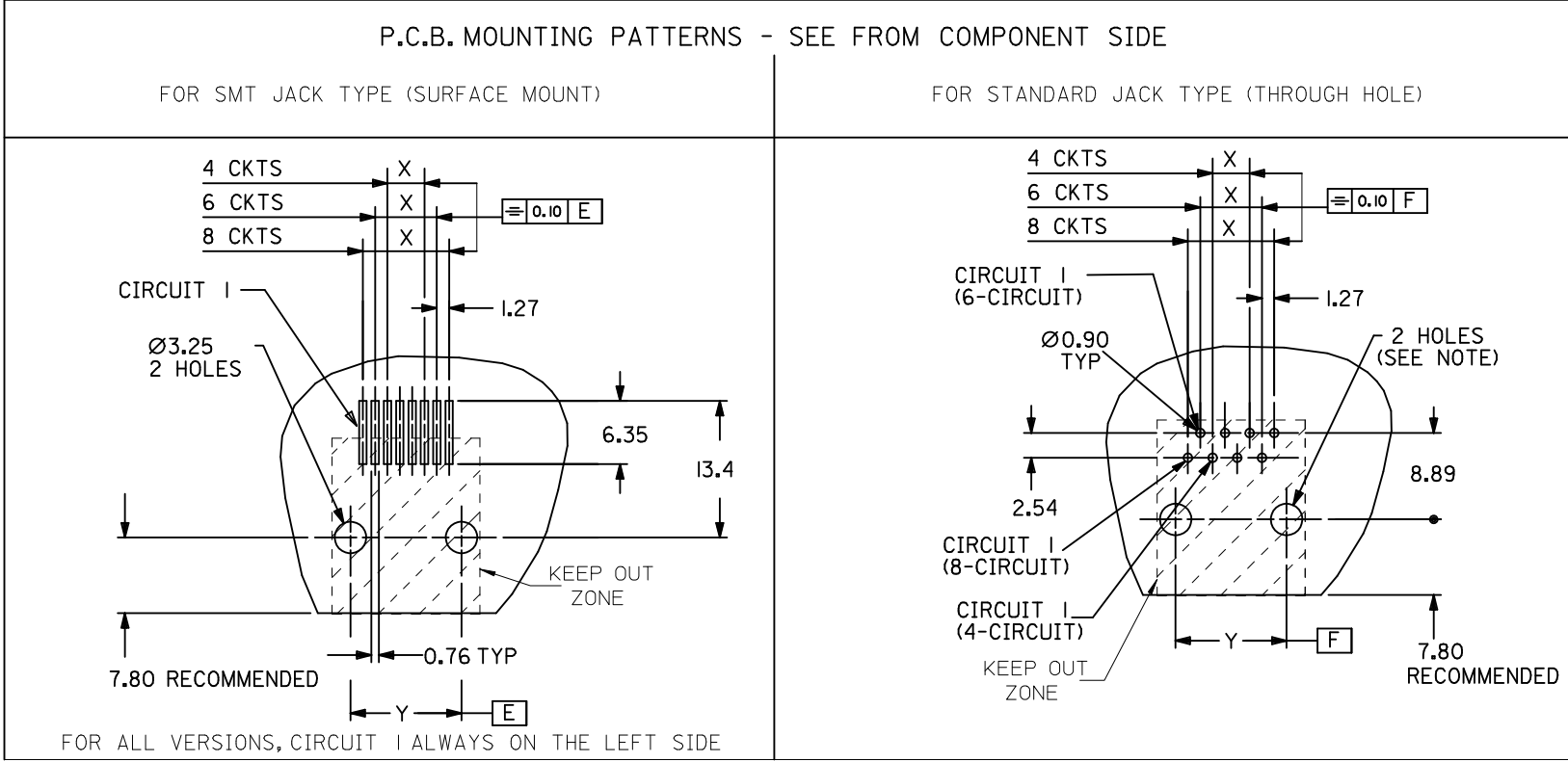
**4 VERSION ONLY**



REMOVED INCHES EC NO: E2012-0079 DRWN: JCONNOR 2011/02/23 CHKD: APPR: EFOLAN 2011/09/28	QUALITY SYMBOLS ▽=0 ◻=0	GENERAL TOLERANCES (UNLESS SPECIFIED)	DIMENSION STYLE MM ONLY	SCALE 4:1	DESIGN UNITS METRIC	THIRD ANGLE PROJECTION																																			
		<table border="1"> <thead> <tr> <th></th> <th>mm</th> <th>INCH</th> </tr> </thead> <tbody> <tr> <td>4 PLACES</td> <td>± ---</td> <td>± ---</td> </tr> <tr> <td>3 PLACES</td> <td>± ---</td> <td>± ---</td> </tr> <tr> <td>2 PLACES</td> <td>± 0.15</td> <td>± ---</td> </tr> <tr> <td>1 PLACE</td> <td>± 0.25</td> <td>± ---</td> </tr> <tr> <td colspan="3">ANGULAR ± ---°</td> </tr> </tbody> </table>		mm	INCH	4 PLACES	± ---	± ---	3 PLACES	± ---	± ---	2 PLACES	± 0.15	± ---	1 PLACE	± 0.25	± ---	ANGULAR ± ---°			<table border="1"> <thead> <tr> <th>DRAWN BY</th> <th>DATE</th> <th>TITLE</th> </tr> </thead> <tbody> <tr> <td>DYRNES</td> <td>2006/08/02</td> <td></td> </tr> <tr> <td>CHECKED BY</td> <td>DATE</td> <td></td> </tr> <tr> <td>EOMAHONY</td> <td>2006/08/12</td> <td></td> </tr> <tr> <td>APPROVED BY</td> <td>DATE</td> <td></td> </tr> <tr> <td>EOMAHONY</td> <td>2006/08/12</td> <td></td> </tr> </tbody> </table>	DRAWN BY	DATE	TITLE	DYRNES	2006/08/02		CHECKED BY	DATE		EOMAHONY	2006/08/12		APPROVED BY	DATE		EOMAHONY	2006/08/12		R/A LOW PROFILE PC JACK 4,6,8 CKTS SIZE SMT VERSION  <b>MOLEX INCORPORATED</b>	
	mm	INCH																																							
4 PLACES	± ---	± ---																																							
3 PLACES	± ---	± ---																																							
2 PLACES	± 0.15	± ---																																							
1 PLACE	± 0.25	± ---																																							
ANGULAR ± ---°																																									
DRAWN BY	DATE	TITLE																																							
DYRNES	2006/08/02																																								
CHECKED BY	DATE																																								
EOMAHONY	2006/08/12																																								
APPROVED BY	DATE																																								
EOMAHONY	2006/08/12																																								
	DRAFT WHERE APPLICABLE MUST REMAIN WITHIN DIMENSIONS		SEE CHART SHEETS 4 & 5	MATERIAL NO.	DOCUMENT NO. SD-95501-001	SHEET NO. 2 OF 5																																			
	THIS DRAWING CONTAINS INFORMATION THAT IS PROPRIETARY TO MOLEX INCORPORATED AND SHOULD NOT BE USED WITHOUT WRITTEN PERMISSION																																								

9 8 7 6 5 4 3 2 1

TYPE \ DIM.	POS. 4	POS. 6		POS. 8
	4 CKTS.	4 CKTS.	6 CKTS.	8 CKTS.
Y ±0.05	7.62	10.16	10.16	11.43
X ±0.05	3.81	3.81	6.35	8.89



**NOTE:**  
 FOR CONVECTION SOLDERING: DIA 3.25±0.05  
 FOR WAVE SOLDERING: DIA 3.20±0.10  
 ALL DIMENSIONS REF DIMENSIONS

REMOVED INCHES EC NO: E2012-0079 DRWN: JCONNOR 2011/02/23 CHKD: APPR: EFOLAN 2011/09/28	QUALITY SYMBOLS ▽=0 ◻=0	GENERAL TOLERANCES (UNLESS SPECIFIED)		DIMENSION STYLE <b>MM ONLY</b>		SCALE 2:1	DESIGN UNITS METRIC	THIRD ANGLE PROJECTION		
	4 PLACES ± --- ± --- 3 PLACES ± --- ± --- 2 PLACES ± 0.15 ± --- 1 PLACE ± 0.25 ± ---		mm      INCH		DRAWN BY DBYRNES	DATE 2006/08/02	TITLE R/A LOW PROFILE JACK PC JACK 4,6,8 CKT SIZE SMT AND STANDARD VERSION			
	ANGULAR ± ---°				CHECKED BY EOMAHONY	DATE 2006/08/12	MOLEX INCORPORATED			
	DRAFT WHERE APPLICABLE MUST REMAIN WITHIN DIMENSIONS				APPROVED BY EOMAHONY	DATE 2006/08/12				

**SPECIAL PACKAGING TUBE, SEE PACKAGING SPEC PK95001 SHEET 3**

PART NO FOR JACK ASSEMBLY  
THROUGH HOLE VERSION

PART NO FOR JACK ASSEMBLY  
SMT VERSION

HOUSING SIZE	LOADED CONTACTS
4	4
6	4
6	6
8	8

LCP GLASS FILED 94V0,COLOR BLACK.							
NO KEY	TOOLED	KEY	TOOLED		TOOLED		TOOLED
NOT RIBBED	TOOLED	NOT RIBBED	TOOLED		TOOLED		TOOLED
95501-2401	X						
95501-2601	X						
95501-2611	X						
95501-2821	X						

LCP GLASS FILLED 94V0 COLOUR BLACK							
NO KEY	TOOLED	KEY	TOOLED	NO KEY	TOOLED	KEY	TOOLED
NOT RIBBED	TOOLED	NOT RIBBED	TOOLED	NOT RIBBED	TOOLED	NOT RIBBED	TOOLED
95501-6449	X						
95501-6649	X						
95501-6669	X						
95501-6889	X	95501-6890	X				

<b>REMOVED OPTIONS</b> EC NO: IPG2012-0602 DRW:DBYRNES 2012/03/30 CHKD:MSHAHAN 2012/03/30 APPR:EFOLAN 2012/06/26 D	QUALITY SYMBOLS =0 =0	GENERAL TOLERANCES (UNLESS SPECIFIED) <table border="1"> <tr> <th></th> <th>mm</th> <th>INCH</th> </tr> <tr> <td>4 PLACES</td> <td>± ---</td> <td>± ---</td> </tr> <tr> <td>3 PLACES</td> <td>± ---</td> <td>± ---</td> </tr> <tr> <td>2 PLACES</td> <td>± ---</td> <td>± ---</td> </tr> <tr> <td>1 PLACE</td> <td>± ---</td> <td>± ---</td> </tr> <tr> <td colspan="3">ANGULAR ± ---°</td> </tr> </table>		mm	INCH	4 PLACES	± ---	± ---	3 PLACES	± ---	± ---	2 PLACES	± ---	± ---	1 PLACE	± ---	± ---	ANGULAR ± ---°			DIMENSION STYLE <b>MM ONLY</b> DRAWN BY: DBYRNES DATE: 2006/08/02 CHECKED BY: EOMAHONY DATE: 2006/08/12 APPROVED BY: EOMAHONY DATE: 2006/08/12	SCALE: --- DESIGN UNITS: METRIC THIRD ANGLE PROJECTION	TITLE: LOW PROFILE R/A JACK STANDARD AND SMT VERSION TUBE PACKAGING MOLEX INCORPORATED DOCUMENT NO. SD-95501-001 SHEET NO. 5 OF 5
		mm	INCH																				
	4 PLACES	± ---	± ---																				
	3 PLACES	± ---	± ---																				
2 PLACES	± ---	± ---																					
1 PLACE	± ---	± ---																					
ANGULAR ± ---°																							
DRAFT WHERE APPLICABLE MUST REMAIN WITHIN DIMENSIONS		SEE CHART	THIS DRAWING CONTAINS INFORMATION THAT IS PROPRIETARY TO MOLEX INCORPORATED AND SHOULD NOT BE USED WITHOUT WRITTEN PERMISSION																				
SIZE: A3																							