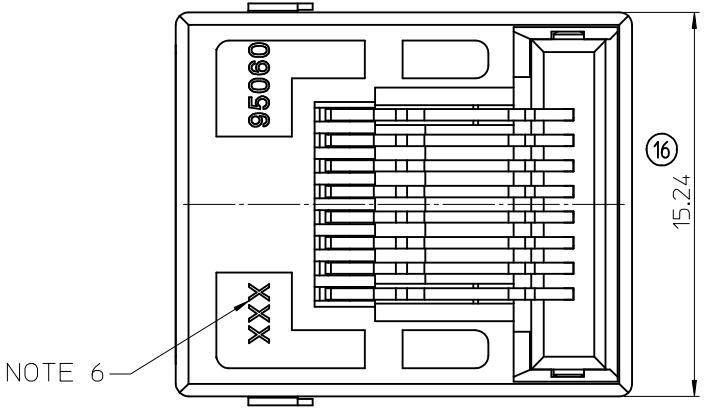


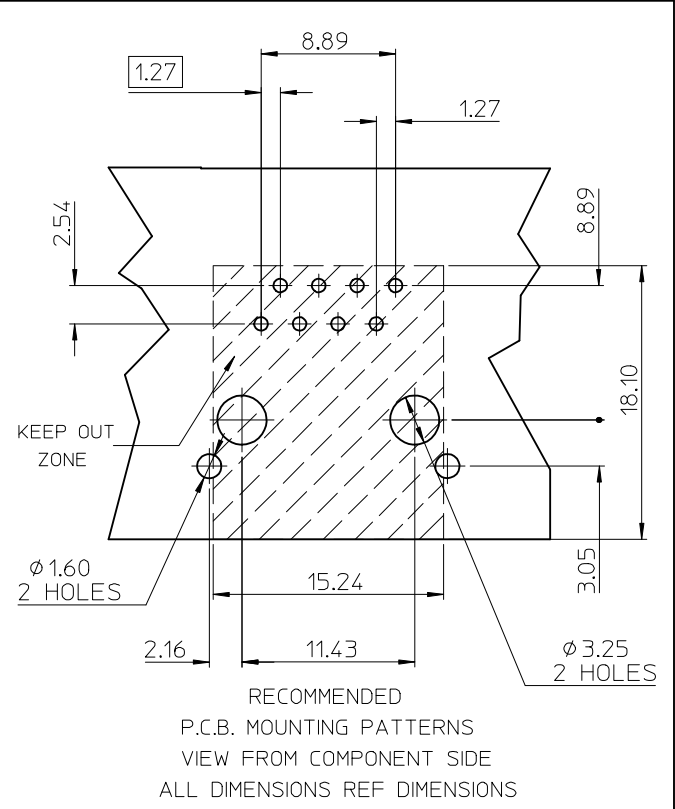
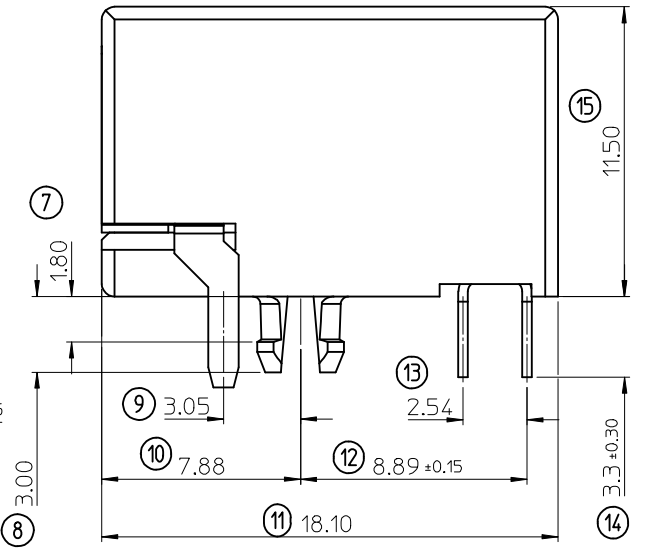
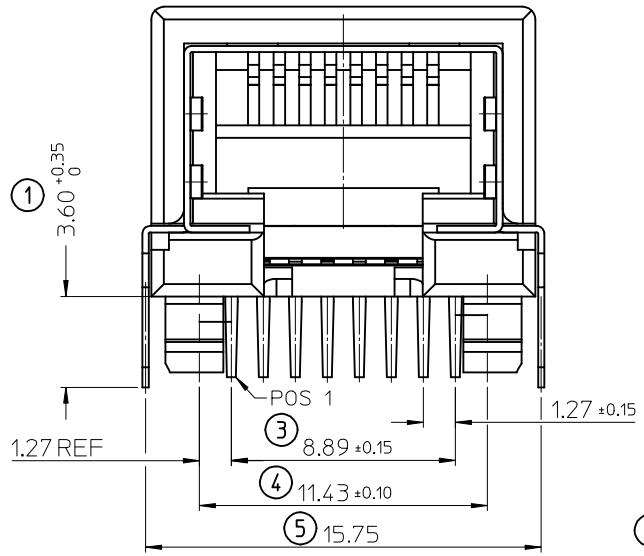
NOTES:

- MATERIAL:
HOUSING: LCP GLASS FILLED UL 94V0. COLOR: BLACK
TERMINAL: COPPER ALLOY PLATED WITH:
BASE FINISH: NICKEL
CONTACT SURFACE FINISH: GOLD
OR
GOLD FLASH OVER PALLADIUM NICKEL
EXCEEDS PRODUCT REQUIREMENTS BASED ON PS-95540-002
SHIELD: COPPER ALLOY PLATED WITH TIN
- P.C. BOARD THICKNESS 1.57 ± 0.15
- JACK FOR MATING WITH IEC 60603-7 AND TIA-1096-A PLUGS
95043 MOLEX SERIES
- PRODUCT SPECIFICATION: PS-95540-002
- PACKAGING SPECIFICATION: MOLEX PK-95040
- MANUFACTURING I.D. CAN BE EITHER MXF, MG OR MXI.
LAST INSPECTION NO. (16)
REMOVED INSPECTION NO.s (2)

PART NUMBER
95540-2881



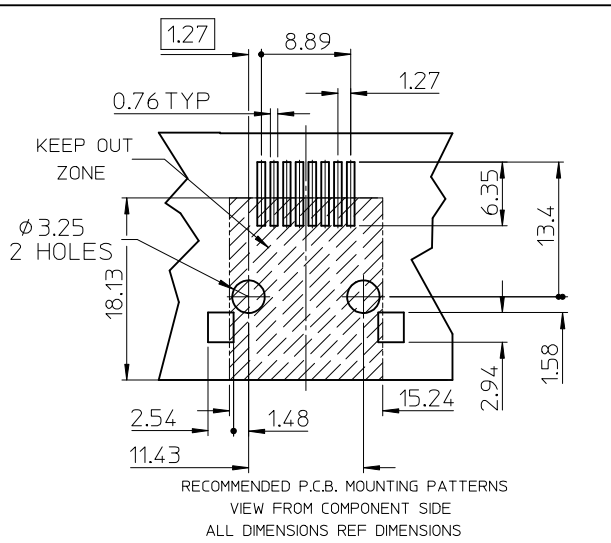
NOTE 6



UPDATED VIEWS EC NO: IPG2016-0335 DRW:DBYRNES 2015/02/06 CHKD: APPR:STGRIFFIN 2015/11/13	QUALITY SYMBOLS	GENERAL TOLERANCES (UNLESS SPECIFIED)	DIMENSION STYLE	SCALE	DESIGN UNITS	THIRD ANGLE PROJECTION
	▽=0 □=0	mm INCH 4 PLACES ± --- ± --- 3 PLACES ± --- ± --- 2 PLACES ± 0.1 ± --- 1 PLACE ± 0.15 ± --- 0 PLACE ± --- ± ---	MM ONLY	5:1	METRIC	
		ANGULAR ± .5 °	DRAWN BY	DATE	TITLE	
		DRAFT WHERE APPLICABLE MUST REMAIN WITHIN DIMENSIONS	CMONAHAN	2013/10/17	RIGHT ANGLE LOW PROFILE SHIELDED PC JACK (THROUGH HOLE VERSION)	
		APPROVED BY	DATE			
		STGRIFFIN	2013/12/16			DOCUMENT NO.
		MATERIAL NO.	SEE CHART	SD-95540-001		1 OF 3
		SIZE	THIS DRAWING CONTAINS INFORMATION THAT IS PROPRIETARY TO MOLEX INCORPORATED AND SHOULD NOT BE USED WITHOUT WRITTEN PERMISSION			
		A3				

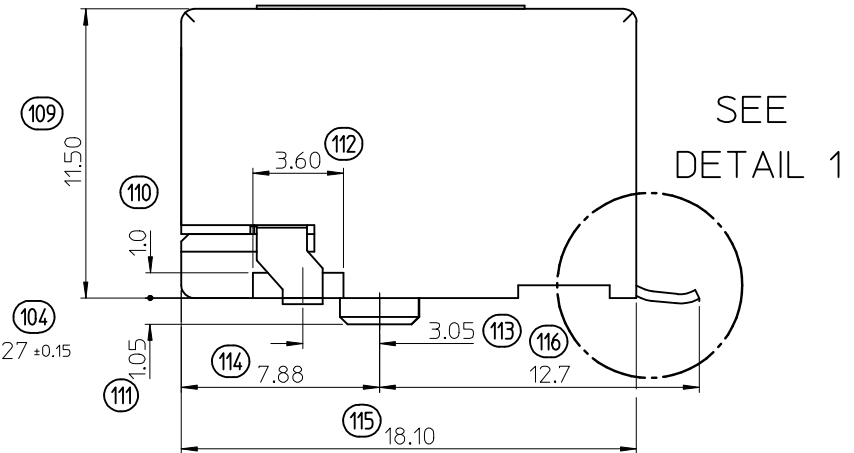
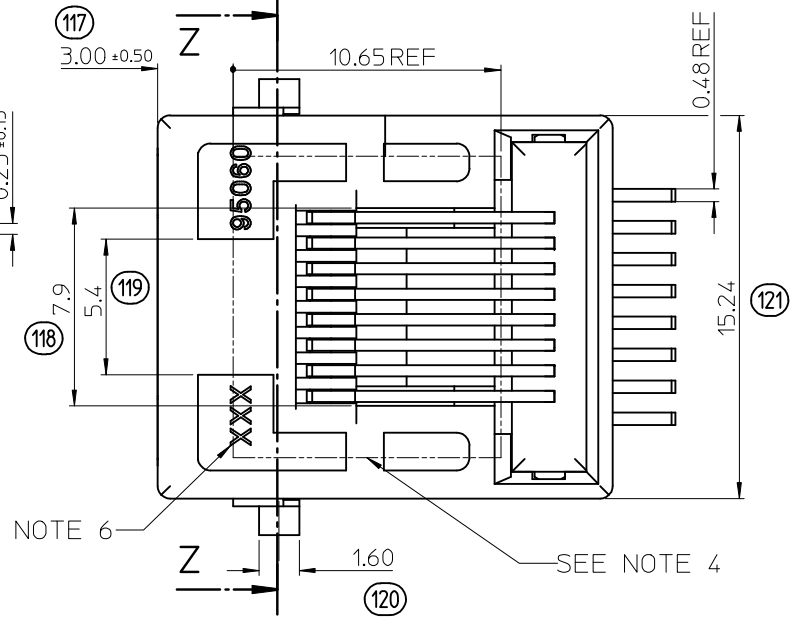
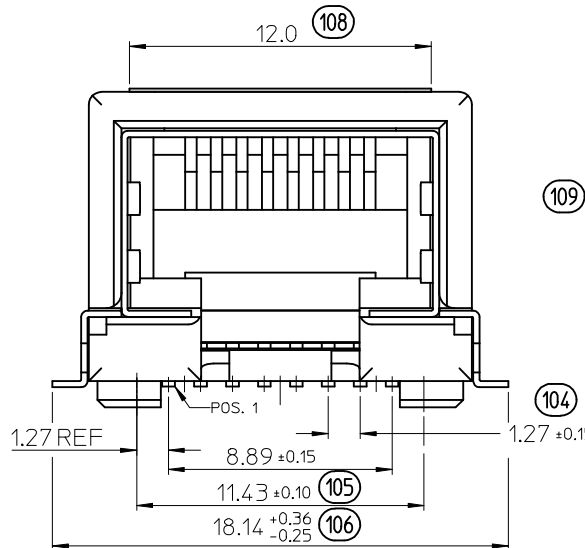
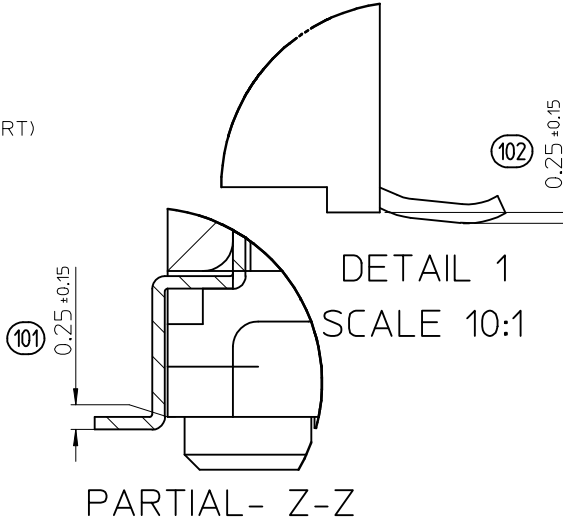
NOTES:

- 1- COPLANARITY OF LEADS: 0.10 MAX.
COPLANARITY OF SHIELD TABS: 0.10 MAX.
- 2- PACKAGING SPECIFICATION: BLISTER ON REEL (SEE CHART)
- 3- PRODUCT SPECIFICATION: MOLEX PS-95540-002
- 4- KAPTON ADHESIVE FOIL: 0.125 THICK.
- 5- JACK FOR MATING WITH IEC 60603-7 AND TIA-1096-A PLUGS 95043 MOLEX SERIES
- 6- MANUFACTURING I.D. CAN BE EITHER MXF, MG OF MXI.
LAST INSPECTION NO.: (121)
REMOVED INSPECTION NO.s: (3)



PACKAGING		
PART NUMBER	REEL SIZE	SPECIFICATION
95540-6886	330	PK-85502 SHT 1
95540-6888	559	PK-85502 SHT 3

MATERIAL:
HOUSING: LCP GLASS FILLED UL 94V0, COLOR: BLACK
TERMINAL: COPPER ALLOY PLATED WITH:
BASE FINISH: NICKEL
CONTACT SURFACE FINISH:
GOLD
OR
GOLD FLASH OVER PALLADIUM NICKEL
EXCEEDS PRODUCT REQUIREMENTS BASED ON PS-95540-002
SHIELD: COPPER ALLOY PLATED WITH TIN



SEE SHEET 1 EC NO: IFG2016-0335 DRWN: DBYRNES 2015/02/06 CHKD: APPR: STGRIFFIN 2015/11/13 REV	QUALITY SYMBOLS ▽=0 ▽=0	GENERAL TOLERANCES (UNLESS SPECIFIED) mm INCH 4 PLACES ± --- ± --- 3 PLACES ± --- ± --- 2 PLACES ± 0.1 ± --- 1 PLACE ± 0.15 ± --- 0 PLACE ± --- ± --- ANGULAR ± .5 ° DRAFT WHERE APPLICABLE MUST REMAIN WITHIN DIMENSIONS	DIMENSION STYLE MM ONLY DRAWN BY: CMONAHAN CHECKED BY: APPROVED BY: STGRIFFIN MATERIAL NO.: DATE: 2013/10/17 DATE: 2013/12/16	SCALE 5:1 DESIGN UNITS METRIC THIRD ANGLE PROJECTION RIGHT ANGLE LOW PROFILE SHIELDED PC JACK (SURFACE MOUNT VERSION)	TITLE RIGHT ANGLE LOW PROFILE SHIELDED PC JACK (SURFACE MOUNT VERSION)
	SEE CHART		DOCUMENT NO. SD-95540-001	SHEET NO. 2 OF 3	
	THIS DRAWING CONTAINS INFORMATION THAT IS PROPRIETARY TO MOLEX INCORPORATED AND SHOULD NOT BE USED WITHOUT WRITTEN PERMISSION				
	molex				

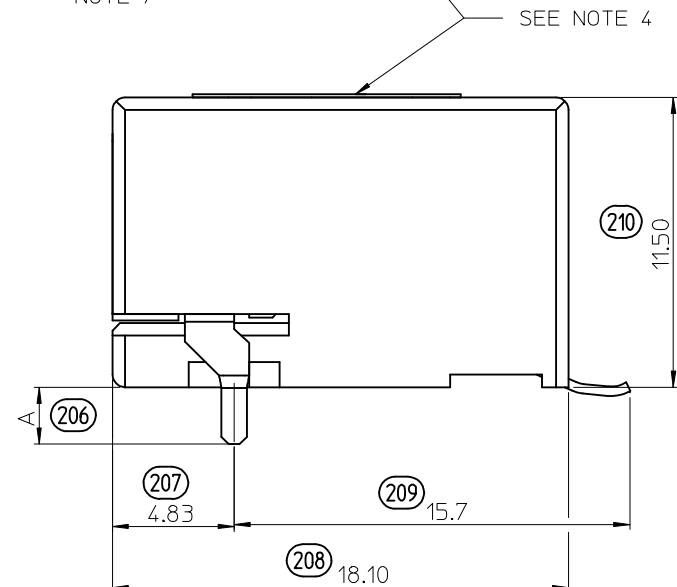
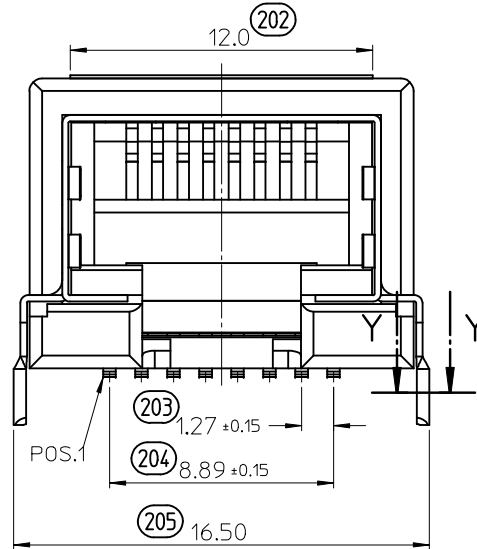
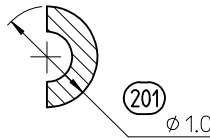
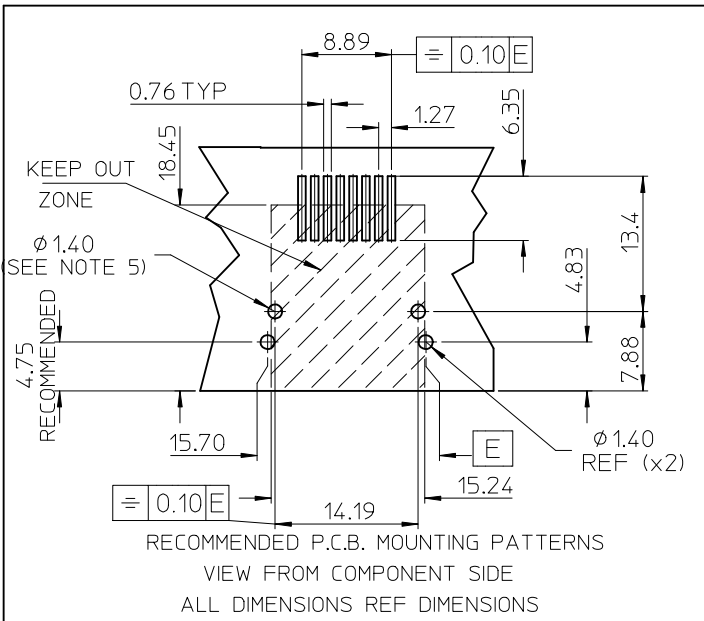
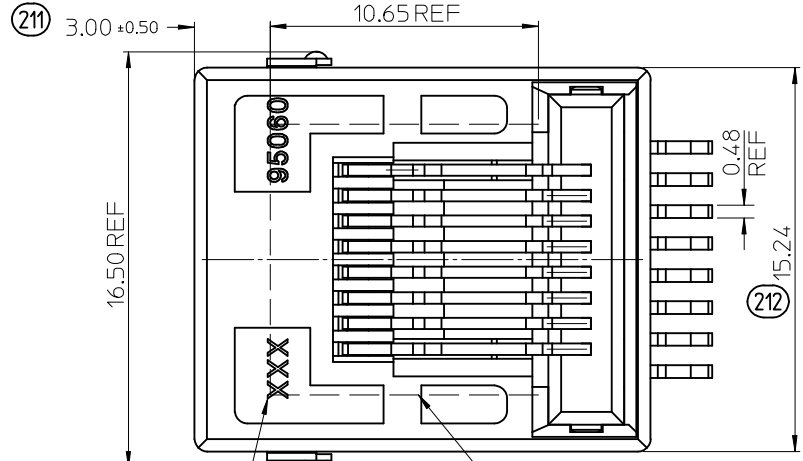
10 9 8 7 6 5 4 3 2 1

TECHNICAL SPECIFICATIONS:

MATERIAL:
 HOUSING: LCP GLASS FILLED UL 94V0 COLOR: BLACK
 TERMINAL: COPPER ALLOY PLATED WITH:
 BASE FINISH: NICKEL
 CONTACT SURFACE FINISH:
 GOLD
 OR
 GOLD FLASH OVER PALLADIUM NICKEL
 EXCEEDS PRODUCT REQUIREMENTS BASED ON PS-95540-002

SHIELD: COPPER ALLOY PLATED WITH TIN

PACKAGING			
PART NUMBER	PEG DIM A	REEL SIZE	SPEC.
95540-5880	1.34±0.10	330	PK-85502 SHT 1
95540-6880	2.25	330	PK-85502 SHT 1



NOTES:

- JACK FOR MATING WITH IEC 60603-7 AND TIA-1096-A PLUGS, 95043 MOLEX SERIES.
- COPLANARITY OF LEADS: 0.10 MAX.
- PACKAGING: MOLEX PK-85502 SHEET 1 (BLISTER ON REEL).
- KAPTON ADHESIVE FOIL: 0.125 THICK.
- OPTIONAL HOLES FOR COMPAT. WITH UNSHIELDED VERSION.
- PRODUCT SPECIFICATION: MOLEX PS-95540-002
- MANUFACTURING I.D. CAN BE EITHER MXF, MG OR MXI.

LAST INSPECTION NUMBER: (212)

NEW PART ADDED EC NO: IPG2016-0335 DRW:DBYRNES 2015/02/06 CHKD: APPR:STGRIFFIN 2015/11/13	QUALITY SYMBOLS ▽=0 ◻=1	GENERAL TOLERANCES (UNLESS SPECIFIED) mm INCH 4 PLACES ± --- ± --- 3 PLACES ± --- ± --- 2 PLACES ± 0.1 ± --- 1 PLACE ± 0.15 ± --- 0 PLACE ± --- ± --- ANGULAR ± .5 °	DIMENSION STYLE MM ONLY DRAWN BY: CMONAHAN DATE: 2013/10/17 CHECKED BY: _____ DATE: _____	SCALE 5:1 DESIGN UNITS METRIC THIRD ANGLE PROJECTION	TITLE RIGHT ANGLE LOW PROFILE SHIELDED PC JACK WITH SOLDER LEGS molex DOCUMENT NO. SD-95540-001 SHEET NO. 3 OF 3	
	APPROVED BY: STGRIFFIN DATE: 2013/12/16 MATERIAL NO.	SEE CHART	THIS DRAWING CONTAINS INFORMATION THAT IS PROPRIETARY TO MOLEX INCORPORATED AND SHOULD NOT BE USED WITHOUT WRITTEN PERMISSION			
	DRAFT WHERE APPLICABLE MUST REMAIN WITHIN DIMENSIONS	SIZE A3				
	REV					

9 8 7 6 5 4 3 2 1