

FEATURES AND SPECIFICATIONS

Features and Benefits

- Sizes 2 to 15 circuits
- Polarizing key and peg available
- Various pin lengths available
- Single beam available for low insertion force
- See 6365 for Trifurcon™ equivalent (contact Molex)

Reference Information

Packaging: Bag or tray
 UL File No.: E29179
 CSA File No.: LR19980
 Mates With: Molex KK 3.96mm (.156") locking headers or
 1.14mm (.045") pins
 Designed In: Inches

Electrical

Voltage: 250V AC max.
 Current: 5.0A max.*
 Contact Resistance: 6mΩ max.
 Dielectric Withstanding Voltage: 1500V AC
 Insulation Resistance: 50K MΩ min.

Physical

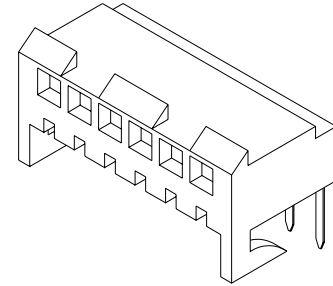
Housing: Nylon, UL 94V-2
 (see 41815 for polyester, UL 94V-0)
 Contact: Brass or Phosphor Bronze
 Plating: See Table
 Operating Temperature: 0 to +75°C

molex® 3.96mm (.156") Pitch
KK®

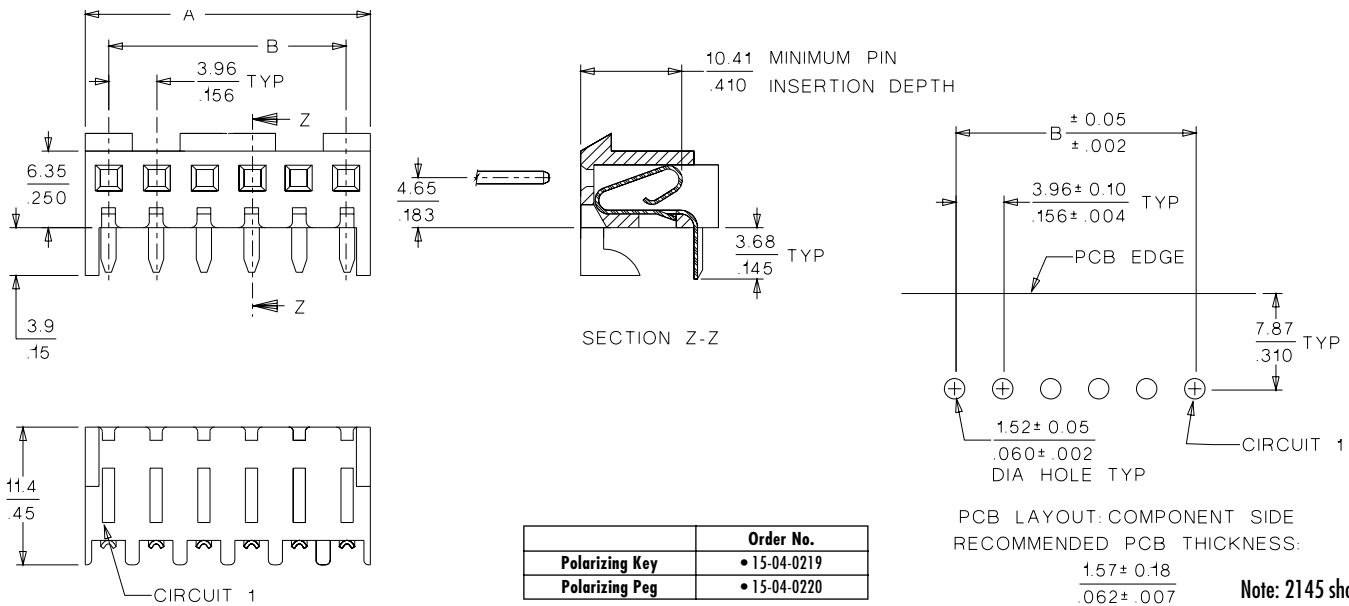
PC Board Connector

2145/3215

Right Angle



CATALOG DRAWING (FOR REFERENCE ONLY)



ORDERING INFORMATION AND DIMENSIONS

Circuits	Order No.				Dimension		Center Hook(s) Location
	2145		3215 [†]		A	B	
	Tin	Select Gold	Tin	Select Gold			
2	• 09-52-1026	• 09-62-3021			7.82 (.308)	3.96 (.156)	
3	• 09-52-1036	• 09-62-3031	26-11-6034	26-11-6031	11.79 (.464)	7.92 (.312)	
4	• 09-52-1046	• 09-62-3041	26-11-6044	26-11-6041	15.75 (.620)	11.89 (.468)	
5	• 09-52-1056	• 09-62-3051	26-11-6054	26-11-6051	19.71 (.776)	15.85 (.624)	
6	• 09-52-1066	• 09-62-3061	26-11-6064	26-11-6061	23.07 (.932)	19.81 (.780)	
7	• 09-52-1076	• 09-62-3071	26-11-6074	26-11-6071	27.64 (1.088)	23.77 (.936)	
8	• 09-52-1086	• 09-62-3081	26-11-6084	26-11-6081	31.60 (1.244)	27.74 (1.092)	(1) between circuits 4-5
9	• 09-52-1096	• 09-62-3091	26-11-6094	26-11-6091	35.56 (1.400)	31.70 (1.248)	(1) between circuits 4-5
10	• 09-52-1106	• 09-62-3101	26-11-6104	26-11-6101	39.52 (1.556)	35.66 (1.404)	(1) between circuits 5-6
11	• 09-52-1116	• 09-62-3111	26-11-6114	26-11-6111	43.48 (1.712)	39.62 (1.560)	
12	• 09-52-1126	• 09-62-3121	26-11-6124	26-11-6121	47.45 (1.868)	43.59 (1.716)	(2) between circuits 4-5 and 8-9
13	• 09-52-1136	• 09-62-3131		26-11-6131	51.41 (2.024)	47.55 (1.872)	
14	• 09-52-1146	• 09-62-3141		26-11-6141	55.37 (2.180)	51.51 (2.028)	
15	• 09-52-1156	• 09-62-3151	26-11-6154	26-11-6151	59.33 (2.336)	55.47 (2.184)	(2) between circuits 5-6 and 10-11

• US Standard Product, available through Molex franchised distributors

* Dependent upon PC board

† Preferred version in Europe and the Far East