

FEATURES AND SPECIFICATIONS

Features and Benefits

- Sizes 2 to 15 circuits
- Mating headers must be long enough to accommodate board thickness
- Polarizing key available
- Available without hooks
- Various tail lengths available

Reference Information

Packaging: Bag
 UL File No.: E29179
 CSA File No.: LR19980
 Mates With: Molex KK 3.96mm (.156") locking headers
 or 1.14mm (.045") pins
 Designed In: Inches

Electrical

Voltage: 250V AC
 Current: 5.0A max.*
 Contact Resistance: 6mΩ max.
 Dielectric Withstanding Voltage: 1500V AC
 Insulation Resistance: 50K MΩ min.

Physical

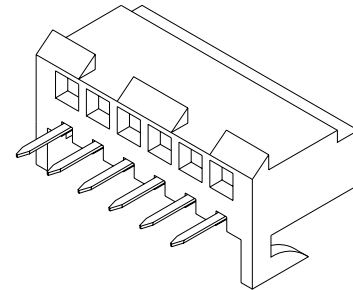
Housing: Nylon, UL 94V-2
 (see 41815 for polyester, UL 94V-0)
 Contact: Brass or Phosphor Bronze
 Plating: See Table
 Operating Temperature: 0 to +75°C

molex® 3.96mm (.156") Pitch
KK®

PC Board Connector

2145/3215

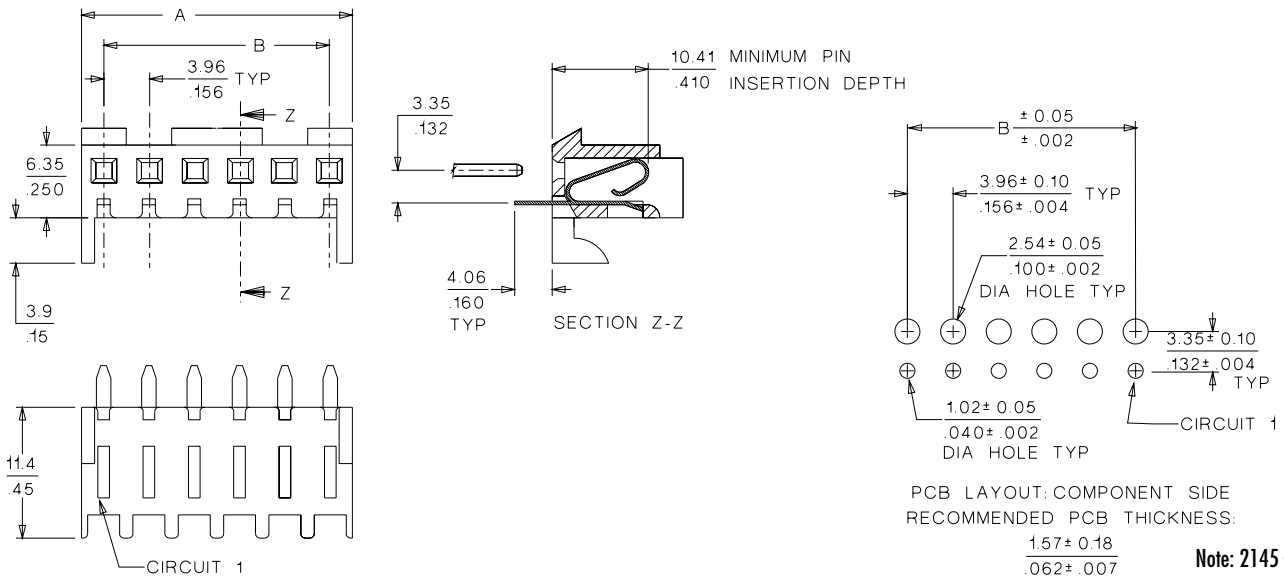
Bottom Entry



D

3.00 to 7.92mm (.118 to .312") Pitch

CATALOG DRAWING (FOR REFERENCE ONLY)



ORDERING INFORMATION AND DIMENSIONS

Circuits	Order No.				Dimension		Center Hook(s) Location
	2145		3215†		A	B	
2	• 09-62-6024	• 09-62-3022			7.82 (.308)	3.96 (.156)	
3	• 09-62-6034	• 09-62-3032	26-11-6035	26-29-1031	11.79 (.464)	7.92 (.312)	
4	• 09-62-6044	• 09-62-3042	26-11-6045	26-29-1041	15.75 (.620)	11.89 (.468)	
5	• 09-62-6054	• 09-62-3052	26-11-6055	26-29-1051	19.71 (.776)	15.85 (.624)	
6	• 09-62-6064	• 09-62-3062	26-11-6065	26-29-1061	23.07 (.932)	19.81 (.780)	
7	• 09-62-6074	• 09-62-3072	26-11-6075	26-29-1071	27.64 (1.088)	23.77 (.936)	
8	• 09-62-6084	• 09-62-3082	26-11-6085	26-29-1081	31.60 (1.244)	27.74 (1.092)	(1) between circuits 4-5
9	• 09-62-6094	• 09-62-3092	26-11-6095	26-29-1091	35.56 (1.400)	31.70 (1.248)	(1) between circuits 4-5
10	• 09-62-6104	• 09-62-3102	26-11-6105	26-29-1101	39.52 (1.556)	35.66 (1.404)	(1) between circuits 5-6
11	• 09-62-6114	• 09-62-3112		26-29-1111	43.48 (1.712)	39.62 (1.560)	
12	• 09-62-6124	• 09-62-3122	26-11-6125	26-29-1121	47.45 (1.868)	43.59 (1.716)	(2) between circuits 4-5 and 8-9
13	• 09-62-6134	• 09-62-3132		26-29-1131	51.41 (2.024)	47.55 (1.872)	
14	• 09-62-6144	• 09-62-3142		26-29-1141	55.37 (2.180)	51.51 (2.028)	
15	• 09-62-6154	• 09-62-3152	26-11-6155	26-29-1151	59.33 (2.336)	55.47 (2.184)	(2) between circuits 5-6 and 10-11

• US Standard Product, available through Molex franchised distributors

* Dependent upon PC board

† Preferred version in Europe and the Far East