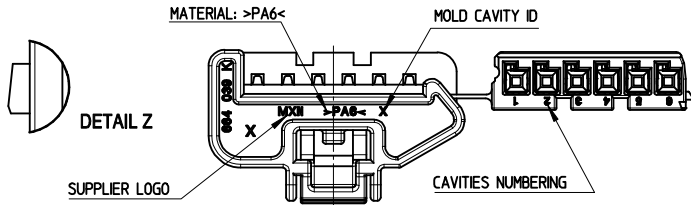
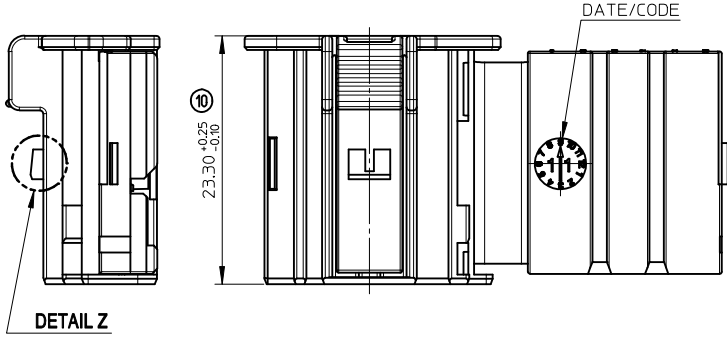
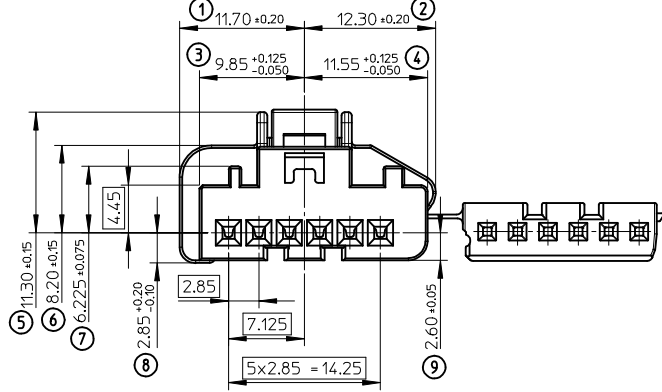
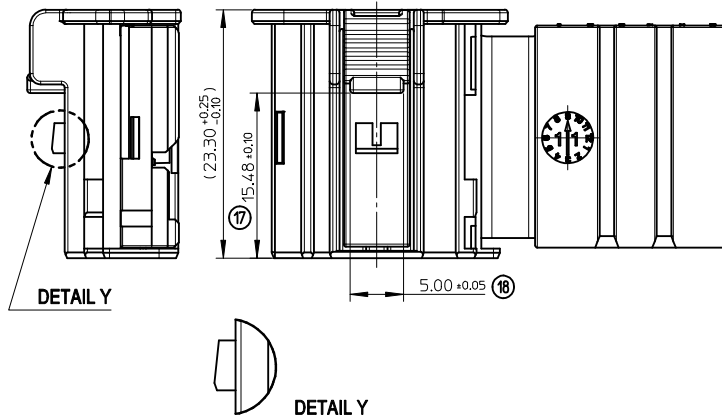


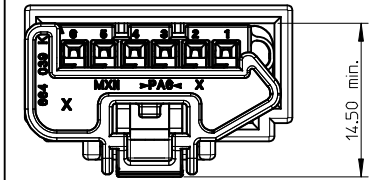
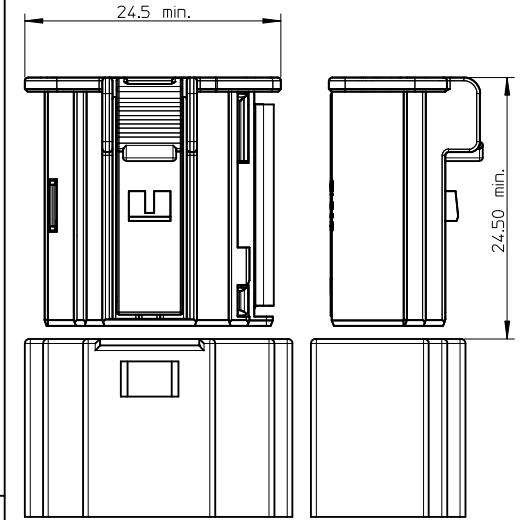
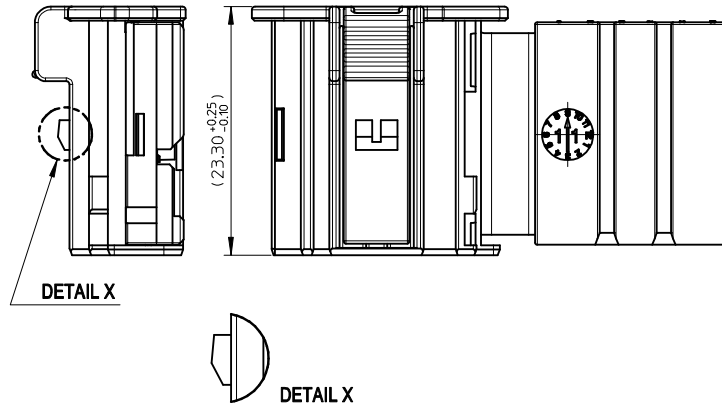
OPTION A - P/N: 0981930001
(PRESSING AREA SHORTER)



OPTION B - P/N: 0981930010
(PRESSING AREA LONGER)



OPTION C - P/N: 0981930100
(PRESSING AREA SHORTER)



- Necessary volume for the housing assembly.
- Allow an additional volume for the unmating.

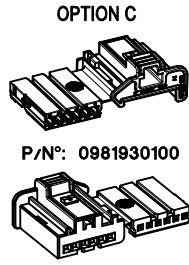
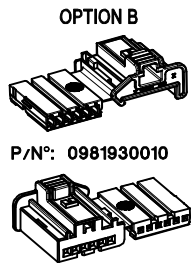
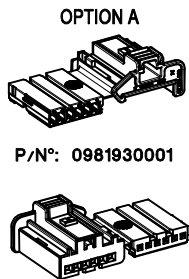
M	ADDED P/N 0981930100
L	DIM#3 FROM 9.85 ±0.05 TO 9.85 ±0.125/-0.050
L	DIM#4 FROM 11.55 ±0.05 TO 11.55 ±0.125/-0.050
K	DIM#5 FROM 11.30 ±0.1 TO 11.30 ±0.25/-0.10
J	DIM#8 FROM 2.85 ±0.1 TO 2.85 ±0.2/-0.1

INSPECTION BALLOON NUMBER LOG

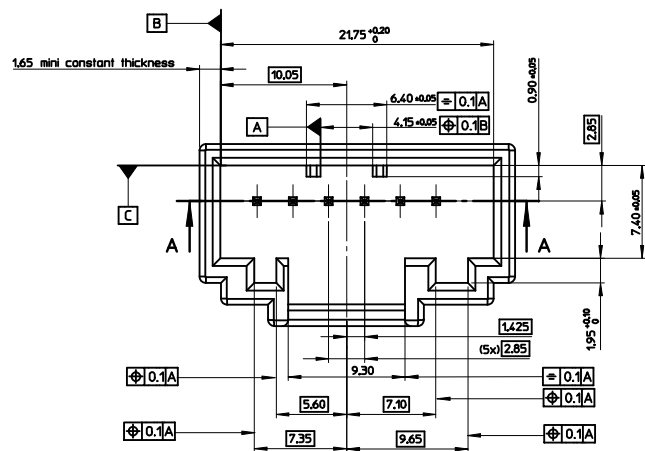
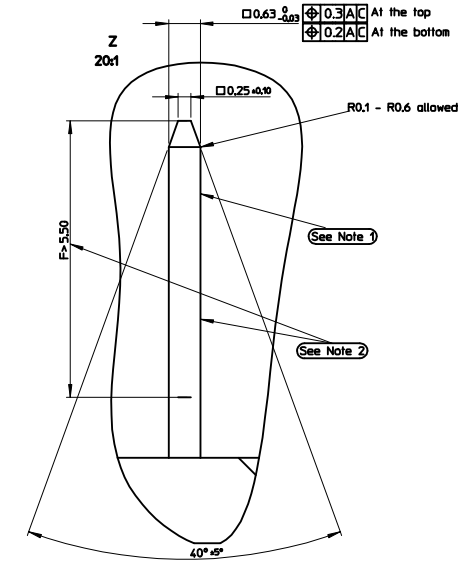
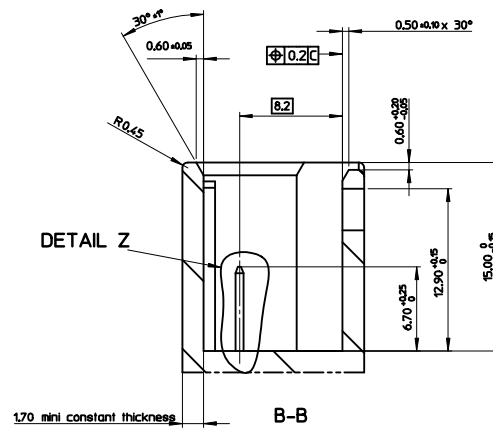
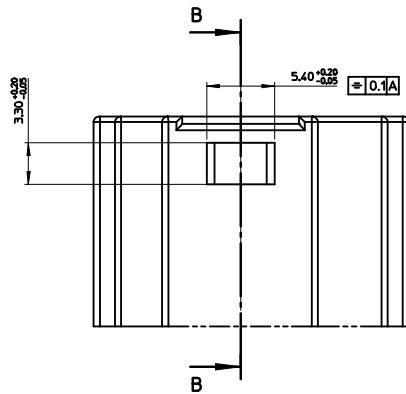
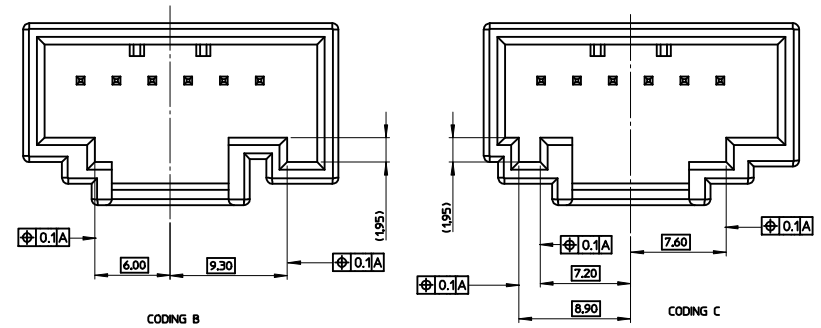
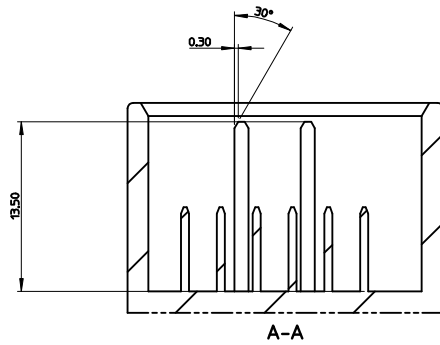
PER DRAWING REVISION: L
LAST BALLOON NUMBER USED: 12
ADDED BALLOON NUMBERS:
REMOVED BALLOON NUMBERS:

- 1- MATERIAL : POLYAMIDE (PA), UL94 V2
COLOR: BLACK
- 2- USE WITH: 98658 (MOX 0.63 TERMINAL)
- 3- APPLICATION SPECIFICATION: AS-98193-018

ISO VIEWS



ADDED P/N 0981930100 EC NO: G2017-0021 DRAWN: PRANDCL 2016/06/16 CHKD: JUDUCLOS 2016/06/16 APPR: OPLESSIS 2016/10/17	QUALITY SYMBOLS	GENERAL TOLERANCES (UNLESS SPECIFIED)		DIMENSION STYLE		SCALE	DESIGN UNITS	FIRST ANGLE PROJECTION	
		mm	INCH	MM ONLY		3:1	METRIC	FIRST ANGLE PROJECTION	
M	DESCRIPTION	4 PLACES	± ---	± ---	DRAWN BY	DATE	TITLE		
		3 PLACES	± ---	± ---	MRI VIERE	04/04/2006	MOX HOUSING 6 CKT CUSTOMER DRAWING		
M	DESCRIPTION	2 PLACES	± 0.05	± ---	CHECKED BY	DATE	SD-98193-001		
		1 PLACE	± 0.1	± ---	D.DOS SANTOS	2011/04/04	1 OF 1		
M	DESCRIPTION	0 PLACE	± 0.1	±	APPROVED BY	DATE	THIS DRAWING CONTAINS INFORMATION THAT IS PROPRIETARY TO MOLEX INCORPORATED AND SHOULD NOT BE USED WITHOUT WRITTEN PERMISSION		
		ANGULAR ± 2 °		MATERIAL NO.		DOCUMENT NO.	SEE P/N CHART		
DRAFT WHERE APPLICABLE MUST REMAIN WITHIN DIMENSIONS		SIZE		SEE P/N CHART		SD-98193-001			



NOTA:

- No burrs / No sharp edges allowed
- Base material: copper alloy, IACS mini = 25%, tensile strength mini = 560N/mm²
Plating : 1 to 3 μm of pure tin (Sn)
13 μm mini of Nickel (Ni) underlayer
Minimum plating area = F
- recommended plastic material: >PBT-GF15<
- BLACK CODING A SHOWN.
- MINIMUM PIN RETENTION FORCE = 40 N.
- HEADER CODING A COMPATIBLE WITH MOLEX MATERIAL NUMBER 981930001.

FIRST RELEASE EC NO: G2005-0303 DRAWN BY: JBERVAS CHKD: JLDUCLOS APPROVED BY: LSTICKEIR	QUALITY SYMBOLS H0 H1	GENERAL TOLERANCES (UNLESS SPECIFIED)		DIMENSION STYLE		SCALE	DESIGN UNITS	FIRST ANGLE PROJECTION		
				MM ONLY		5:1	METRIC			
				DRAFT WHERE APPLICABLE MUST REMAIN WITHIN DIMENSIONS		N/A			MOLEX INCORPORATED	
						THIS DRAWING CONTAINS INFORMATION THAT IS PROPRIETARY TO MOLEX INCORPORATED AND SHOULD NOT BE USED WITHOUT WRITTEN PERMISSION			DOCUMENT NO. SD-98193-004	
DESCRIPTION		MATERIAL NO.		DATE		TITLE		SHEET NO.		
MOX RCPT HSG 6 CKT		N/A		2005/04/14		INTERFACE DRAWING		1 OF 1		
MOX RCPT HSG 6 CKT		N/A		2005/04/13		MOX RCPT HSG 6 CKT				
MOX RCPT HSG 6 CKT		N/A		2005/04/14		98193 SERIES				