

PLEASE CHECK WWW.MOLEX.COM FOR LATEST PART INFORMATION

Part Number: [0986600001](#)
Status: **Active - Custom**
Description: MOST Strain Relief Cable Cover for 98681-1001

Documents:

[Product Specification PS-98681-001 \(PDF\)](#) [RoHS Certificate of Compliance \(PDF\)](#)

General

Product Family	Accessories
Series	98660
Comments	Part conforms to USCAR-1 Rev. 3 and Ford SDS Rev. 10 specification
Component Type	Cap
Product Name	MOST

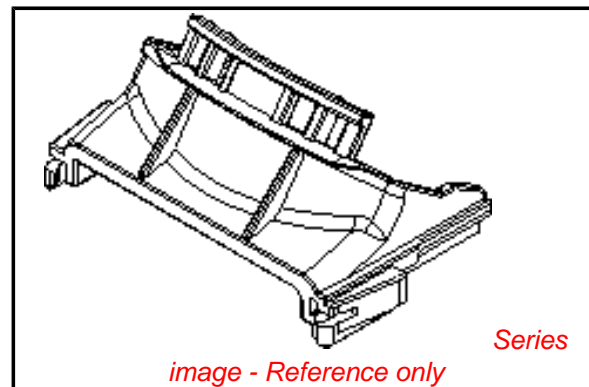
Physical

Circuits (Loaded)	N/A
Color - Resin	Black
Gender	N/A
Lock to Mating Part	Yes
Material - Resin	Polyester Alloy
Packaging Type	Bag
Temperature Range - Operating	-40°C to +85°C

Material Info

Reference - Drawing Numbers

Application Specification	AS-98681-002
Product Specification	PS-98681-001
Sales Drawing	SD-98660-001



EU RoHS

ELV and RoHS Compliant
REACH SVHC Contains SVHC: No
Low-Halogen Status Low-Halogen

China RoHS



Need more information on product environmental compliance?

Email productcompliance@molex.com
 For a multiple part number RoHS Certificate of Compliance, [click here](#)

Please visit the [Contact Us](#) section for any non-product compliance questions.

Search Parts in this Series
[98660Series](#)

Use With
[98681-1001](#)