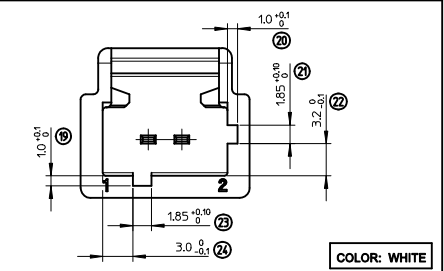
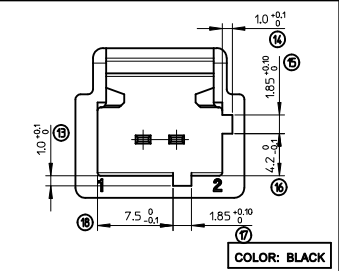
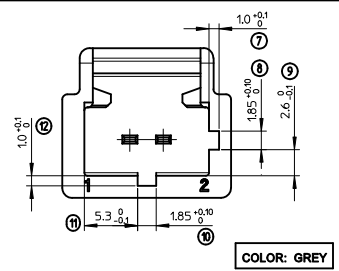
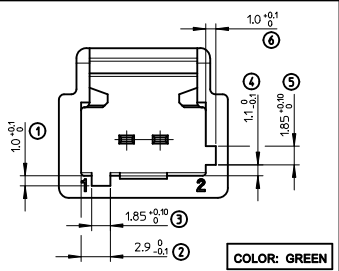
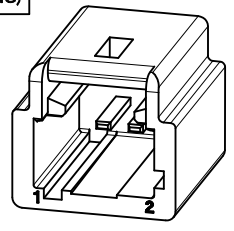


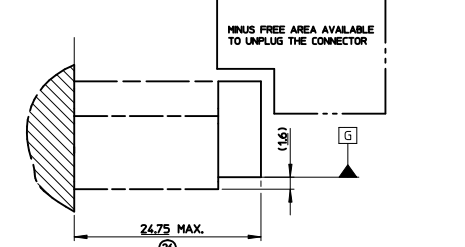
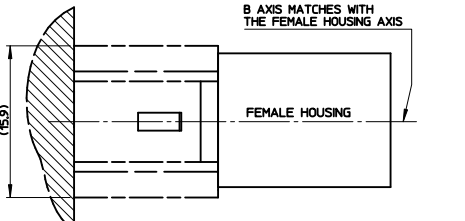
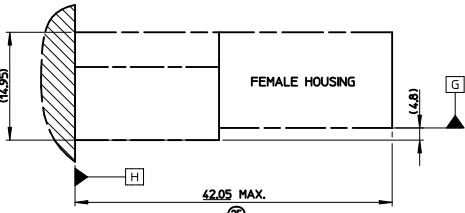
CODINGS



**ISO VIEW
(GREEN CODING)**



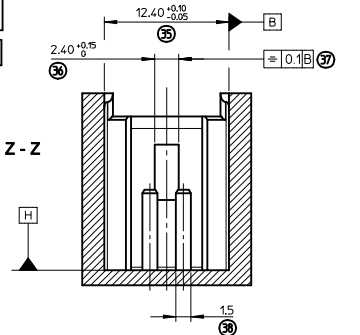
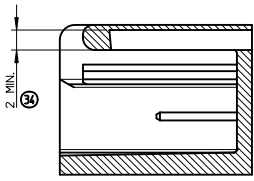
OVERALL DIMENSIONS



HEADER'S DEFINITION

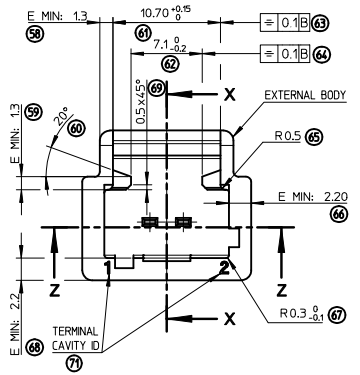
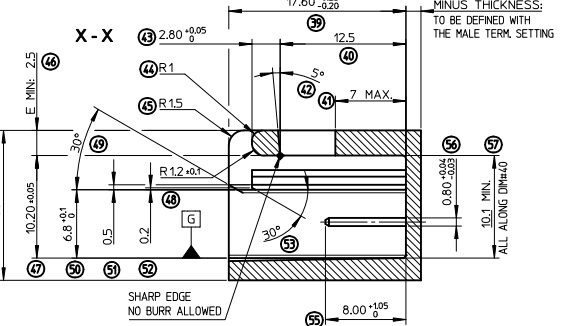
GREEN CODING REPRESENTED

**X - X
VARIABLE**

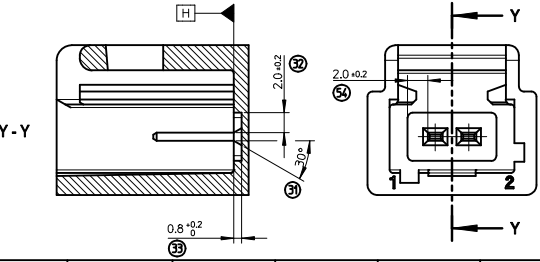


NOTES:

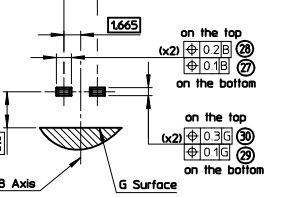
- MALE TERMINALS:**
 - MALE TERMINALS RESISTANCE: 100N MIN IN MALE TERM. AXIS.
 - MATERIAL: COPPER, COPPER ALLOY OR BRASS.
 - FINISHES: TIN PLATED 2μ MIN.
- HEADER:**
 - RADII WITHOUT DIM: R=0.3MM
 - E MIN: MINIMUM MATERIAL THICKNESS RECOMMENDED FOR SPECIFIED MATERIAL.
 - MATERIAL: PBT (RECOMMENDED) (70)
 - WARPING: 0.35MM MAX. ACCEPTED ON "*" DIM. WITH ANOTHER EXTERNAL SHAPE AS DRAWN WHEN PLUGGED.
- MATES WITH:**
 - MOLEX CONNECTORS 9887-102X



MALE TERMINALS VARIABLE SETTING



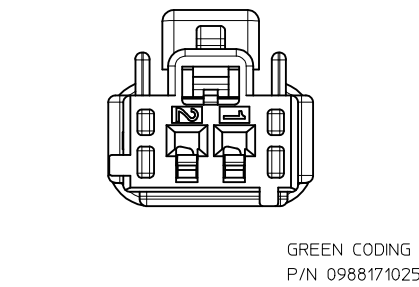
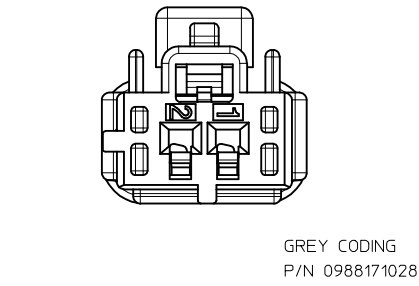
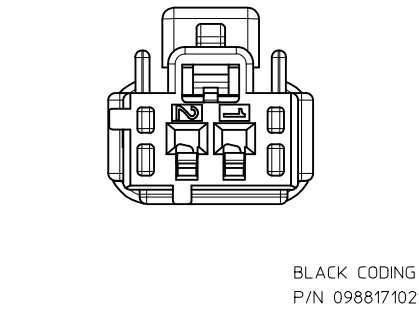
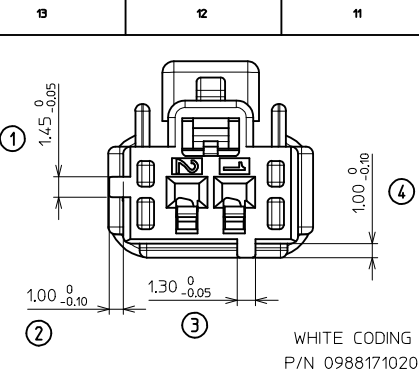
MALE TERMINALS SETTING



REV.	1	71		
	FIRST	LAST	DELETED	SUPERSEDED
INSPECTION NUMBERS				

PRINT 1ST RELEASE EC NO: G2012-0179 DRAWN BY: GDESBRUERES CHKD: JDUCCLOS APPROVED: OPLESSIS	DESCRIPTION QUALITY SYMBOLS	GENERAL TOLERANCES (UNLESS SPECIFIED)	
		mm	INCH
		4 PLACES ± --- ± ---	3 PLACES ± --- ± ---
		2 PLACES ± 0.1 ± ---	1 PLACE ± 0.1 ± ---
		0 PLACE ± ±	
		ANGULAR ± 2 °	
DRAFT WHERE APPLICABLE MUST REMAIN WITHIN DIMENSIONS		MATERIAL NO. N/A	

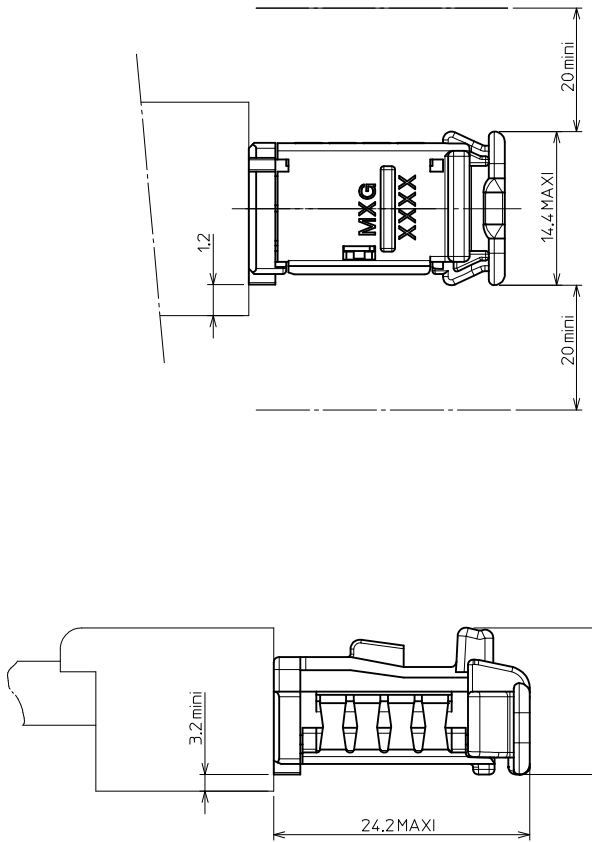
DIMENSION STYLE	SCALE	DESIGN UNITS	FIRST ANGLE PROJECTION
MM ONLY	4:1	METRIC	
DRAWN BY	DATE	TITLE	
GDESBRUERES	2012/04/18	2W INTERFACE 15 TERM. (FOR FEMALE HOUSING)	
CHECKED BY	DATE		
JDUCCLOS	2012/04/18		
APPROVED BY	DATE		
OPLESSIS	2012/04/23		
MATERIAL NO.	DOCUMENT NO.	SHEET NO.	
N/A	SD-98815-002	1 OF 1	
THIS DRAWING CONTAINS INFORMATION THAT IS PROPRIETARY TO MOLEX INCORPORATED AND SHOULD NOT BE USED WITHOUT WRITTEN PERMISSION			



CODING 4:1

HANDLING AREA

AREA REQUIRED TO MATE AND UNMATE THE CONNECTOR



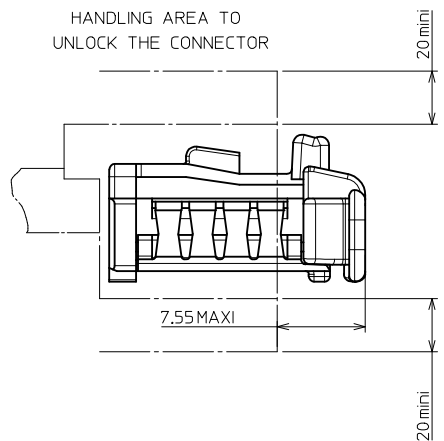
NOTE : 1 - The using conditions of the hinge are showed in the MOLEX specification n°AS-98821-001.

- 2 - Female terminal used : SCC RCPT TERM 1.5mm
 - Range 1 : 0988971109 (0.22 mm² to 2x0.22 mm²)
 - Range 2 : 0988971119 (0.5 mm² to 1 mm² included)
 - Range 3 : 0988971129 (2x0.5 mm² to 2 mm² included)

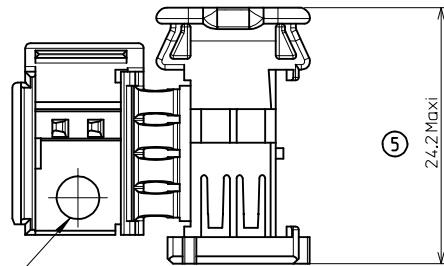
3 - Female connector will mate with male connector P/N 098822102x.

AREA REQUIRED WHEN THE CONNECTOR IS MATED

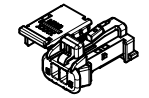
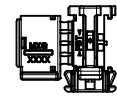
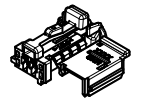
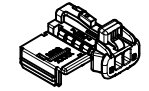
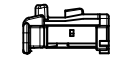
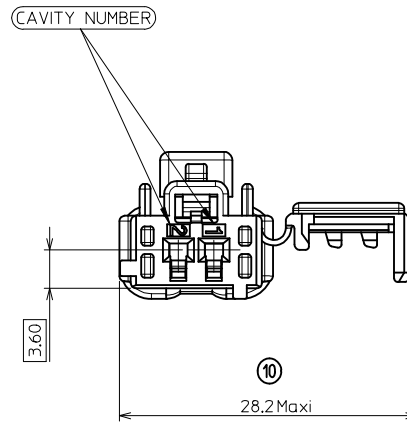
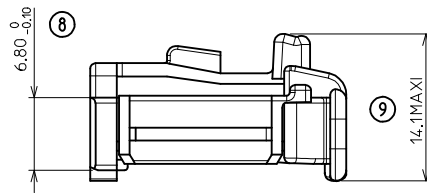
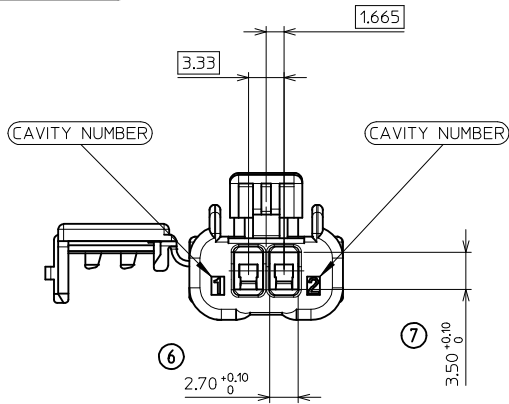
HANDLING AREA TO UNLOCK THE CONNECTOR



FIRST RELEASE EC NO: G2007-0386 DRAWN: LPOUCHAUD 2008/03/10 CHKD: YIGEL 2008/03/10 APPR: LSTICKEIR 2008/03/10	QUALITY SYMBOLS 	GENERAL TOLERANCES (UNLESS SPECIFIED)		DIMENSION STYLE MM ONLY	SCALE 3:1	DESIGN UNITS METRIC	THIRD ANGLE PROJECTION	
		mm	INCH	DRAWN BY LPOUCHAUD	DATE 2008/01/17	TITLE NSCC RCPT HSG 1.5 2CKT		
		4 PLACES ± ---	± ---	CHECKED BY YIGEL	DATE 2008/01/17	MOLEX INCORPORATED		
		3 PLACES ± 0.05	± ---	APPROVED BY LSTICKEIR	DATE 2008/01/25	DOCUMENT NO. SD-98817-001		
		2 PLACES ± 0.1	± ---	MATERIAL NO. SEE CHART		SHEET NO. 1 OF 2		
1 PLACE ± 0.1		ANGULAR ± 1°		THIS DRAWING CONTAINS INFORMATION THAT IS PROPRIETARY TO MOLEX INCORPORATED AND SHOULD NOT BE USED WITHOUT WRITTEN PERMISSION				
DRAFT WHERE APPLICABLE MUST REMAIN WITHIN DIMENSIONS								

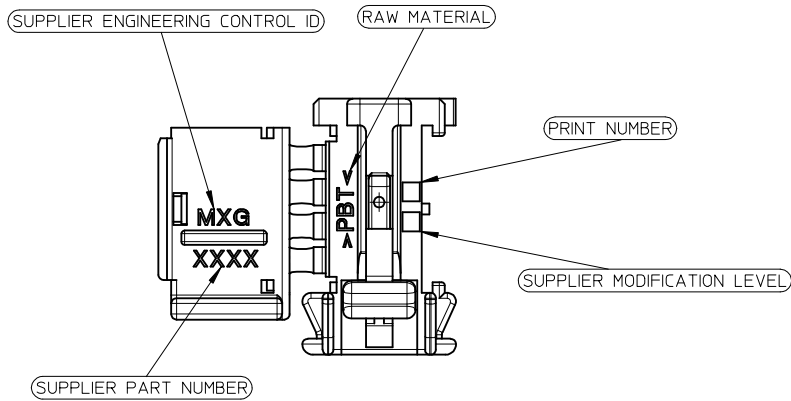


DATUM MONTH/YEAR



1:1

1:1



GREEN CODING (P/N 0988171025) IS SHOWN.

NSCC Rcpt Hsg 1.5 2CKT	0988171028	Grey	POLYESTER (PBT)	1.723 g					
	0988171025	Green							
	0988171021	Black							
	0988171020	White							
Description	Part-Number	Color	Raw Material	Weight effective					
FIRST RELEASE EC NO: G2007-0386 DRWN: LPOUCHAUD 2008/03/10 CHKD: YIGEL 2008/03/10 APPR: LSTICKEIR 2008/03/10	QUALITY SYMBOLS = 0 = 0	GENERAL TOLERANCES (UNLESS SPECIFIED)		DIMENSION STYLE MM ONLY	SCALE 3:1	DESIGN UNITS METRIC	THIRD ANGLE PROJECTION		
		4 PLACES ± --- ± --- 3 PLACES ± --- ± --- 2 PLACES ± 0.05 ± --- 1 PLACE ± 0.1 ± --- ANGULAR ± 1 °	mm INCH ± --- ± --- ± --- ± --- ± --- ± --- ± --- ± ---	DRAWN BY LPOUCHAUD	DATE 2008/01/17	TITLE NSCC RCPT HSG 1.5 2CKT			
A	DESCRIPTION REV	DRAFT WHERE APPLICABLE MUST REMAIN WITHIN DIMENSIONS		CHECKED BY YIGEL	DATE 2008/01/17	APPROVED BY LSTICKEIR			DATE 2008/01/25
		SEE CHART		MATERIAL NO.		DOCUMENT NO.		MOLEX INCORPORATED	