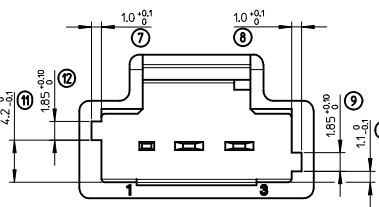
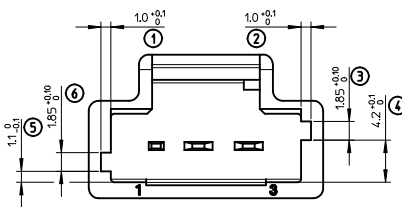


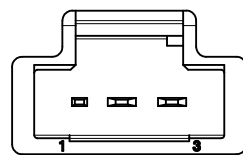
CODINGS



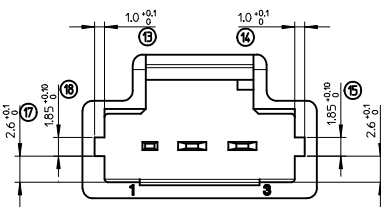
COLOR: GREEN



COLOR: BROWN

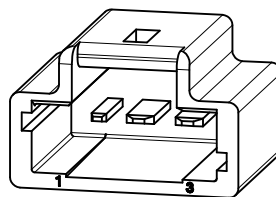


COLOR: BLACK

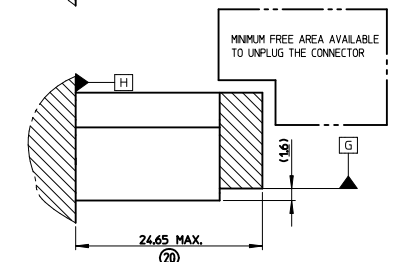
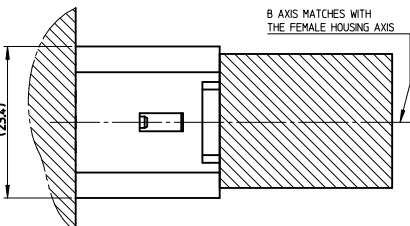
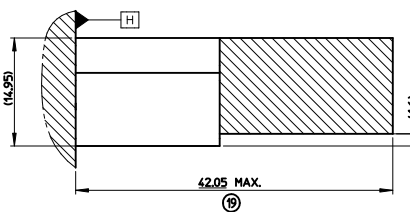


COLOR: WHITE

**ISO VIEW
(GREEN CODING)**

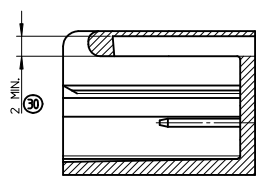


OVERALL DIMENSIONS

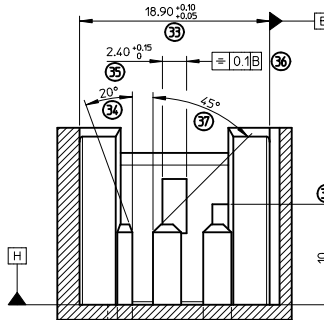


**HEADER'S DEFINITION
GREEN CODING REPRESENTED**

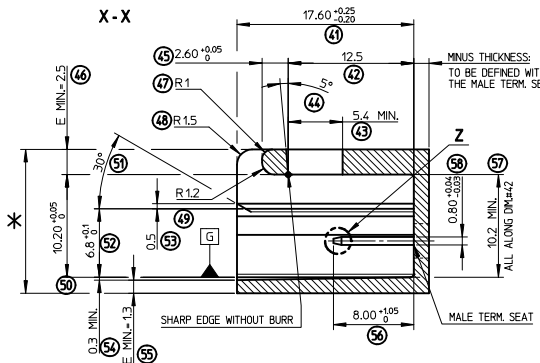
**X - X
VARIABLE**



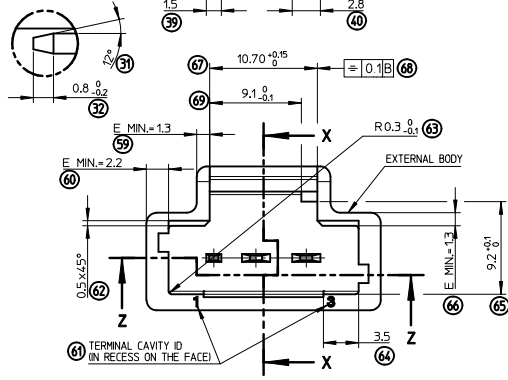
Z - Z



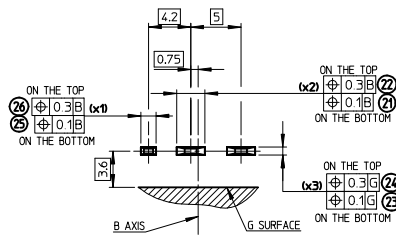
X - X



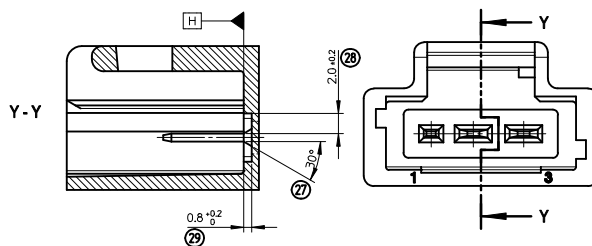
Z



MALE TERMINALS SETTING



MALE TERMINALS VARIABLE SETTING



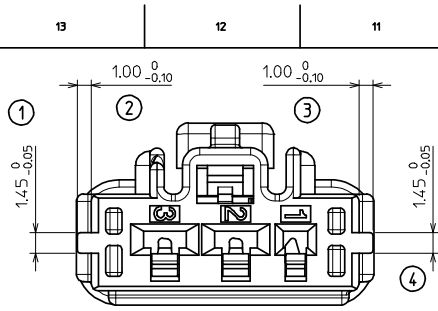
A	1	70		
REV.	FIRST	LAST	DELETED	SUPERSEDED
INSPECTION NUMBERS				

NOTES:

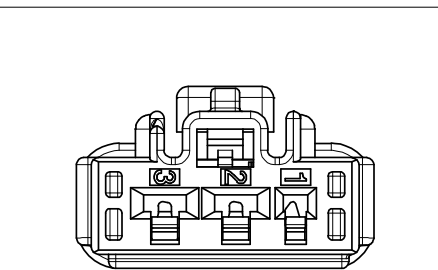
- MALE TERMINALS:**
- MALE TERMINALS RESISTANCE: 100N MIN IN MALE TERM. AXIS.
 - MATERIAL: COPPER, COPPER ALLOY OR BRASS.
 - FINISHES: TIN PLATED 24 MIN.
- HEADER:**
- RADI WITHOUT DIM: R=0.3MM
 - E MIN: MINIMUM MATERIAL THICKNESS RECOMMENDED FOR SPECIFIED MATERIAL
 - MATERIAL: PBT (RECOMMENDED) 70
 - WARPING: 0.35MM MAX, ACCEPTED ON "*" DIM, WITH ANOTHER EXTERNAL SHAPE AS DRAWN WHEN PLUGGED.
- MATES WITH:**
- MOLEX CONNECTORS 98821-103X

A	-	PRINT FIRST RELEASE			
REV.		MODIFICATIONS			

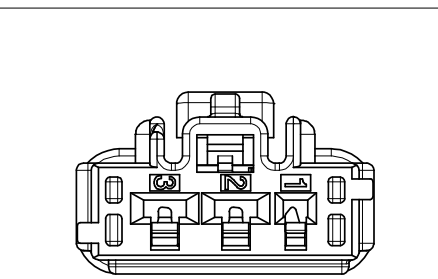
PRINT 1st RELEASE EC NO: G2012-0983 DRAWN: GDESBRUERES 2012/04/19 CHKD: JUDUCLOS 2012/04/19 APPROVED: S OPLESSIS 2012/04/23	QUALITY SYMBOLS 4 PLACES ± --- ± --- 3 PLACES ± --- ± --- 2 PLACES ± 0.1 ± --- 1 PLACE ± 0.1 ± --- 0 PLACE ± --- ± --- ANGULAR ± 2 ° DRAFT WHERE APPLICABLE MUST REMAIN WITHIN DIMENSIONS	GENERAL TOLERANCES (UNLESS SPECIFIED) mm INCH 4 PLACES ± --- ± --- 3 PLACES ± --- ± --- 2 PLACES ± 0.1 ± --- 1 PLACE ± 0.1 ± --- 0 PLACE ± --- ± --- ANGULAR ± 2 ° DRAFT WHERE APPLICABLE MUST REMAIN WITHIN DIMENSIONS	DIMENSION STYLE MM ONLY	SCALE 4:1	DESIGN UNITS METRIC	FIRST ANGLE PROJECTION			
				DRAWN BY GDESBRUERES 2012/04/19	CHECKED BY JUDUCLOS 2012/04/19	APPROVED BY OPLESSIS 2012/04/23	MATERIAL NO. N/A	TITLE 3W INTERFACE HYB. TERM (FOR FEMALE HOUSING)	SHEET NO. 1 OF 1
				THIS DRAWING CONTAINS INFORMATION THAT IS PROPRIETARY TO MOLEX INCORPORATED AND SHOULD NOT BE USED WITHOUT WRITTEN PERMISSION			DOCUMENT NO. SD-98820-001	MOLEX	SHEET NO. 1 OF 1



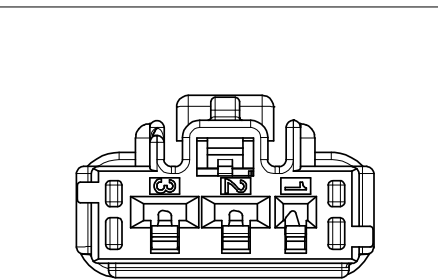
WHITE CODING
0988211030



BLACK CODING
0988211031



GREEN CODING
0988211035

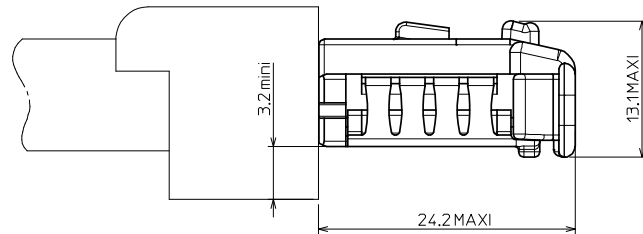
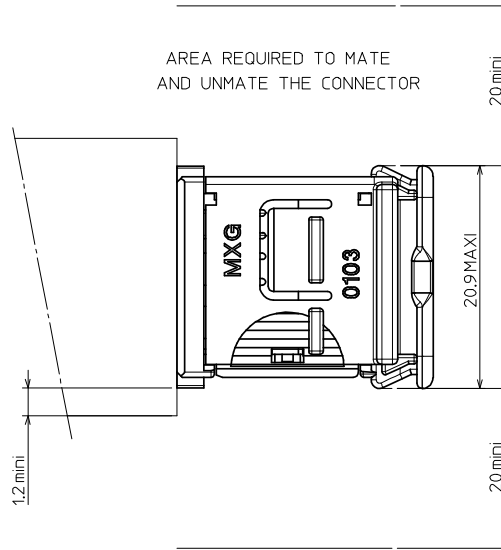


BROWN CODING
0988211039

CODING 4:1

HANDLING AREA

AREA REQUIRED TO MATE
AND UNMATE THE CONNECTOR



NOTE : 1 - The using conditions of the hinge are shown in the MOLEX specification n°AS-98821-001.

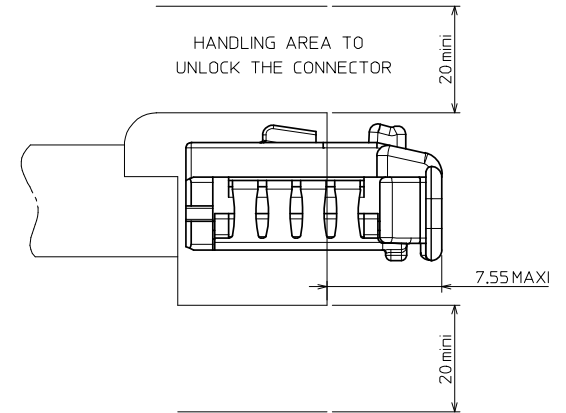
2 - Female terminal used :

- * For cavity 1.5 mm : SCC RCPT TERM 1.5mm
 - Range 1 : 0988971109 (0.22 mm² to 2x0.22 mm²)
 - Range 2 : 0988971119 (0.5 mm² to 1 mm² included)
 - Range 3 : 0988971129 (2x0.5 mm² to 2 mm² included)

* for cavity 2.8 mm : RCPT TERM 2.8 mm UCC2

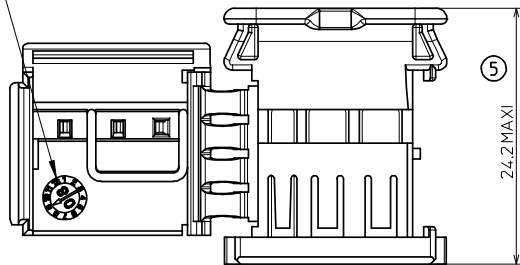
- Range 1 : 0988981029 (0.34 mm² to 0.68 mm²)
- Range 2 : 0988981039 (0.93 mm² to 2.16 mm²)
- Range 3 : 0988981049 (2.26 mm² to 4.95 mm²)

AREA REQUIRED WHEN THE CONNECTOR IS MATED



FIRST RELEASE EC NO: G2009-0009 DRAWN: LPOUCHAUD 2008/07/28 CHKD: YIGEL 2008/07/28 APPR: LSTICKEIR 2008/07/29	DESCRIPTION QUALITY SYMBOLS 	GENERAL TOLERANCES (UNLESS SPECIFIED)		DIMENSION STYLE		SCALE	DESIGN UNITS	THIRD ANGLE PROJECTION		
				MM ONLY		3:1	METRIC			
		4 PLACES	± ---	± ---	DRAWN BY	DATE	TITLE			
		3 PLACES	± ---	± ---	LPOUCHAUD	2008/06/18	NSCC HYBRID RCPT CONN 3CKT			
2 PLACES	± ---	± ---	CHECKED BY	DATE	MOLEX INCORPORATED					
1 PLACE	± 0.10	± ---	YIGEL	2008/06/18						
ANGULAR ± 2 °		APPROVED BY		DATE	DOCUMENT NO. SD-98821-001 SHEET NO. 1 OF 2					
DRAFT WHERE APPLICABLE MUST REMAIN WITHIN DIMENSIONS		LSTICKEIR		2008/06/18						
SEE CHART		MATERIAL NO.		THIS DRAWING CONTAINS INFORMATION THAT IS PROPRIETARY TO MOLEX INCORPORATED AND SHOULD NOT BE USED WITHOUT WRITTEN PERMISSION						

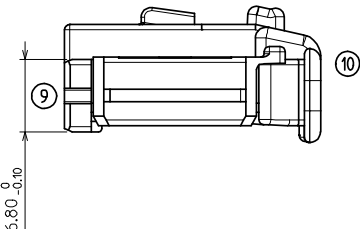
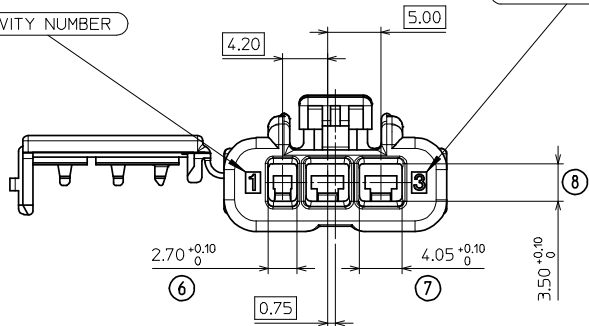
DATUM MONTH/YEAR



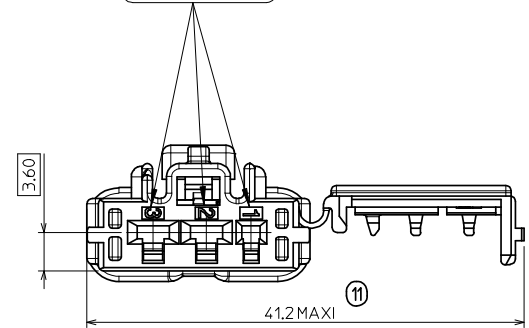
24.2 MAXI

CAVITY NUMBER

CAVITY NUMBER



CAVITY NUMBER

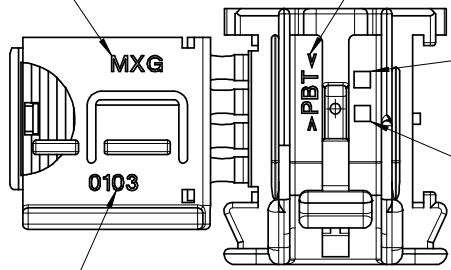


SUPPLIER ENGINEERING CONTROL

RAW MATERIAL

PRINT NUMBER

SUPPLIER MODIFICATION LEVEL



SUPPLIER PART NUMBER

WHITE CODING (P/N 0988211030) IS SHOWN.

NSCC HYBRID RCPT CONN 3CKT	0988211039	Brown	POLYESTER (PBT)	2.694 g					
	0988211035	Green							
	0988211031	Black							
	0988211030	White							
Description	Part-Number	Color	Raw Material	Weight effective					
FIRST RELEASE EC NO: G2009-0009 DRAWN: LPOUCHAUD 2008/07/28 CHKD: YIGEL 2008/07/28 APPR: LSTICKEIR 2008/07/29	QUALITY SYMBOLS ▽=0 ▽=0	GENERAL TOLERANCES (UNLESS SPECIFIED)		DIMENSION STYLE MM ONLY	SCALE 3:1	DESIGN UNITS METRIC	THIRD ANGLE PROJECTION		
			mm					INCH	
REV A	DESCRIPTION	4 PLACES	±	---	±	---	DRAWN BY LPOUCHAUD DATE 2008/06/18	TITLE NSCC HYBRID RCPT CONN 3CKT	
		3 PLACES	±	---	±	---			CHECKED BY YIGEL DATE 2008/06/18
		2 PLACES	±	---	±	---			
		1 PLACE	±	0.10	±	---			APPROVED BY LSTICKEIR DATE 2008/06/18
ANGULAR ± 2 °		DRAFT WHERE APPLICABLE MUST REMAIN WITHIN DIMENSIONS		SIZE A 2	MATERIAL NO. SEE CHART	DOCUMENT NO. SD-98821-001	SHEET NO. 2 OF 2		