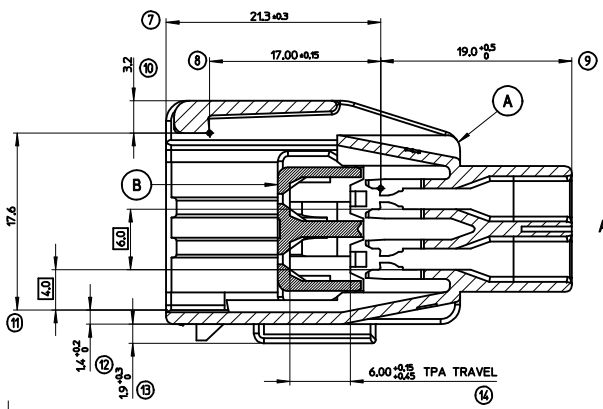
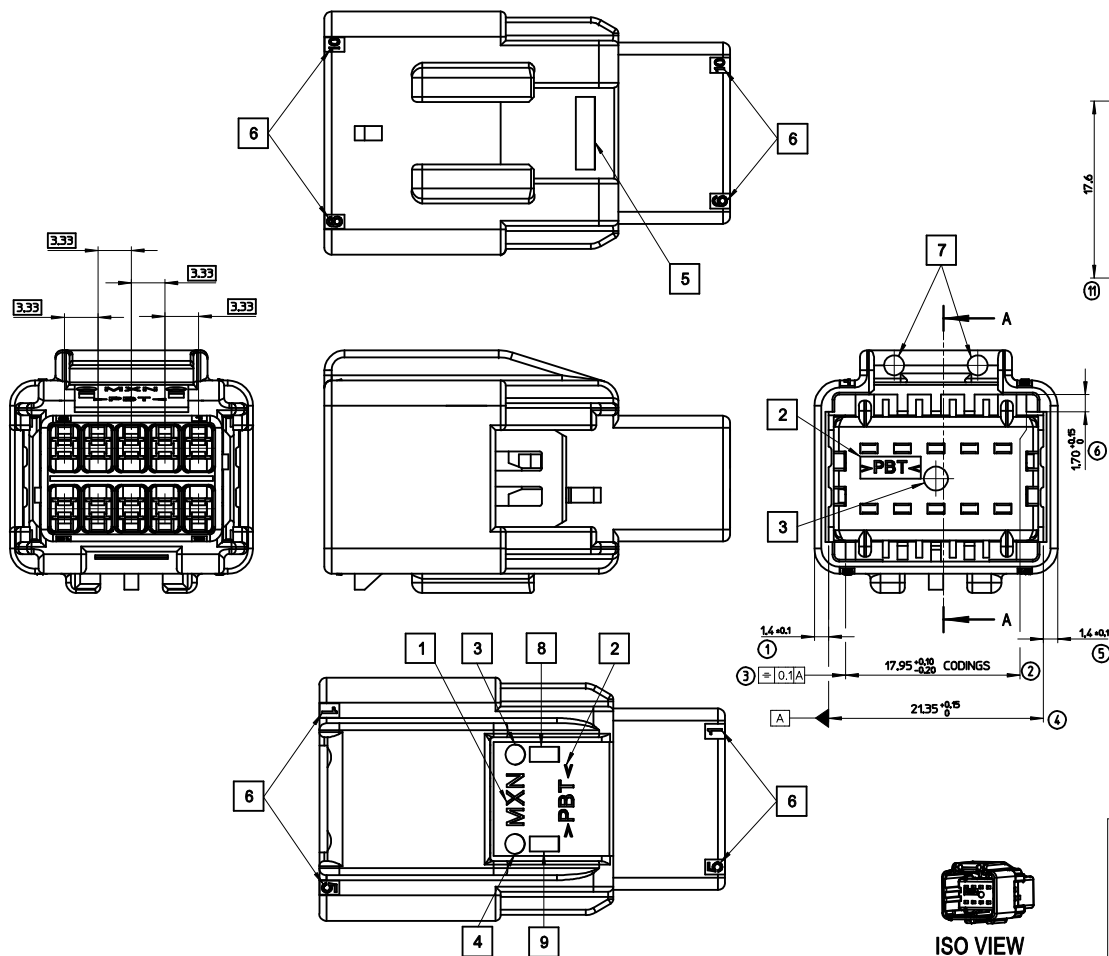


	20	19	18	17	16	15	14	13	12	11	10	9	8	7	6	5	4	3	2	1
CODING																				
FRONT VIEW HOUSING																				
CODING AERAS																				
M/N	0988231018	0988231011	0988231016	0988231010	0988231015															
COLOR	GREY	BLACK	BLUE	WHITE	GREEN															

MODIFICATIONS			
REV	DESCRIPTIONS	NAME	DATE
A	X-RELEASED	PBO	06/12/18
B	DRAWING TITLE NSCC WAS UCCA + NEW TITLE BLOCK	GD	12/03/20
C	UPDATE MARKING PARTS	PGR	13/04/03
D	DM1 and Sr 14/1-01 WAS 14 +0.1/0, DM2- 17.95 +0.1/-0.2 WAS 17.95 0/-0.2	OPL	14/05/07



- NOTES :**
- 1 - USE 15 MM SICMA MALE TERMINALS
 - 2 - MATES WITH 098816101X
 - 3 - APPLICATION SPECIFICATION : AS-98816-001
 - 4 - PART WEIGHT: 8.00 g

ID.	MARKING
9	MOLD VERSION
8	PART REVISION LEVEL
7	DATUM YEAR / MONTH
6	CAVITY NUMBERING (FOR TERMINALS)
6	SUPPLIER P/N (#SERIE)
4	ASSEMBLY REVISION LEVEL
3	CAVITY MOLD N°
2	MATERIAL
1	SUPPLIER ACRONYM (INCLUDING MANUF. PLANT ID)

ID.	QTY	DESIGNATION	M/N	COLOR	MATERIAL
A	1	SCC PIN CONN UNSEALED 15 10CKT	0988230024	YELLOW	PBT
			0988231020	WHITE	
			0988230011	BLACK	PBT
			0988230015	GREEN	
			0988230016	BLUE	
			0988230018	GREY	

CODING SHOWN : 0988231018 GREY



DIM UPDATED EC NO: G2014-0222 DRW/APLESSIS 2014/05/07 CHK/D.BARRETO 2014/05/07 APPR/APLESSIS 2014/05/14	GENERAL TOLERANCES (UNLESS SPECIFIED)	DIMENSION STYLE	SCALE	DESIGN UNITS	FIRST ANGLE PROJECTION
	4 PLACES ± 0.15 3 PLACES ± 0.10 2 PLACES ± 0.05 1 PLACE ± 0.1 0 PLACE ±	MM ONLY	4:1	METRIC	
	DRAWN BY: PBOSSQUAIN CHECKED BY: JDUCLIOS APPROVED BY: LSTICKEIR DATE: 2006/12/18 DATE: 2006/12/18 DATE: 2006/12/18	TITLE	NSCC PIN CONN UNSEALED 15 10CKT		
	ANGULAR ± 2° DRAFT WHERE APPLICABLE MUST REMAIN WITHIN DIMENSIONS	SEE CHART	molex SD-98823-001		

INCORPORATED AND SHOULD NOT BE USED WITHOUT WRITTEN PERMISSION