

- NOTES:
- CABLE LENGTH DEPENDS ON WIRE GAUGE, DATA RATE, AND HOST BOARD DRIVER CAPABILITIES
 - MATERIALS:
 - BACKSHELLS - ZINC DIE CAST WITH BRIGHT NICKEL PLATING
 - DELATCH - STAINLESS STEEL WITH OVERMOLDED NYLON
 - PCB - HALOGEN FREE
 - RAW CABLE JACKET- PVC
 - RIVETS - STAINLESS STEEL
 - IMPEDANCE - 100 OHMS DIFFERENTIAL
 - 'P1' LABEL REQUIRED ON zQ END, 'P2' & 'P3' LABELS REQUIRED ON BOTH 2zQ ENDS
 - RoHS COMPLIANT, NO EXEMPTIONS
 - ALL PART NUMBERS MAY USE TEMPFLX OR BELDEN CABLE

SYMBOLS	THIS DRAWING CONTAINS INFORMATION THAT IS PROPRIETARY TO MOLEX ELECTRONIC TECHNOLOGIES, LLC AND SHOULD NOT BE USED WITHOUT WRITTEN PERMISSION		CURRENT REV DESC: UPDATED LABEL DIM	
	DIMENSION UNITS	SCALE		
▽ = 0	mm	2:1		
▽ = 0	GENERAL TOLERANCES (UNLESS SPECIFIED)			
▽ = 0	ANGULAR TOL	± 1.0°	EC NO: 607196	
▽ = 0	4 PLACES	±	DRWN: GSARVADE	2018/11/06
▽ = 0	3 PLACES	±	CHK'D: GSARVADE	2018/11/08
▽ = 0	2 PLACES	± 0.13	APPR: KNAGANNA	2018/11/08
▽ = 0	1 PLACE	± 0.25	INITIAL REVISION:	
▽ = 0	0 PLACES	±	DRWN: MTAMBRALLI	2017/01/11
▽ = 0	DRAFT WHERE APPLICABLE MUST REMAIN WITHIN DIMENSIONS		APPR: ARAYBURN	2017/02/07
▽ = 0	THIRD ANGLE PROJECTION	DRAWING	SERIES	MATERIAL NUMBER
			D-SIZE	100346
			SEE P/N TABLE	CUSTOMER
			GENERAL MARKET	SHEET NUMBER
				1 OF 3

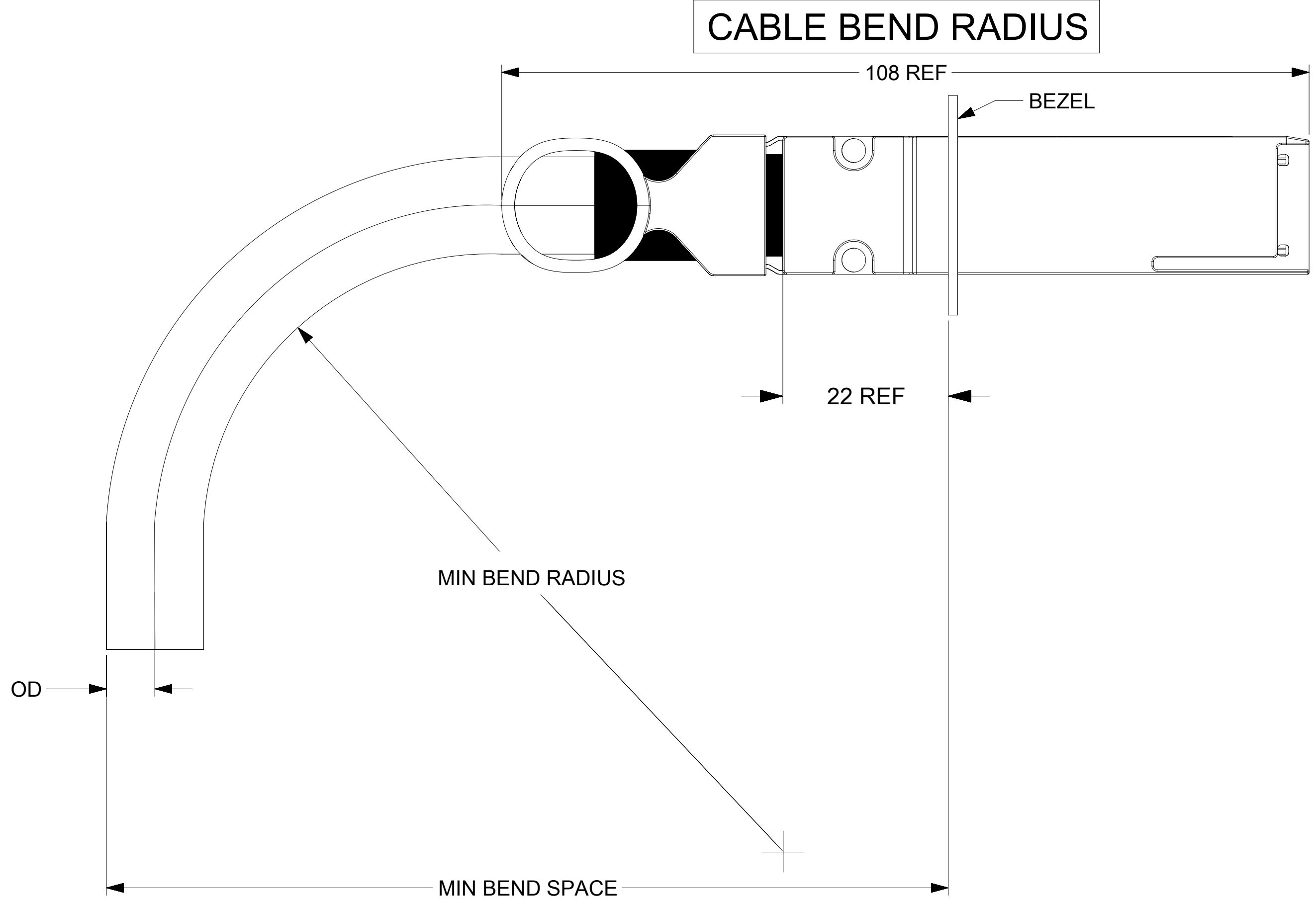
DOCUMENT STATUS	P1	RELEASE DATE	2018/11/08	09:49:38
-----------------	----	--------------	------------	----------

molex

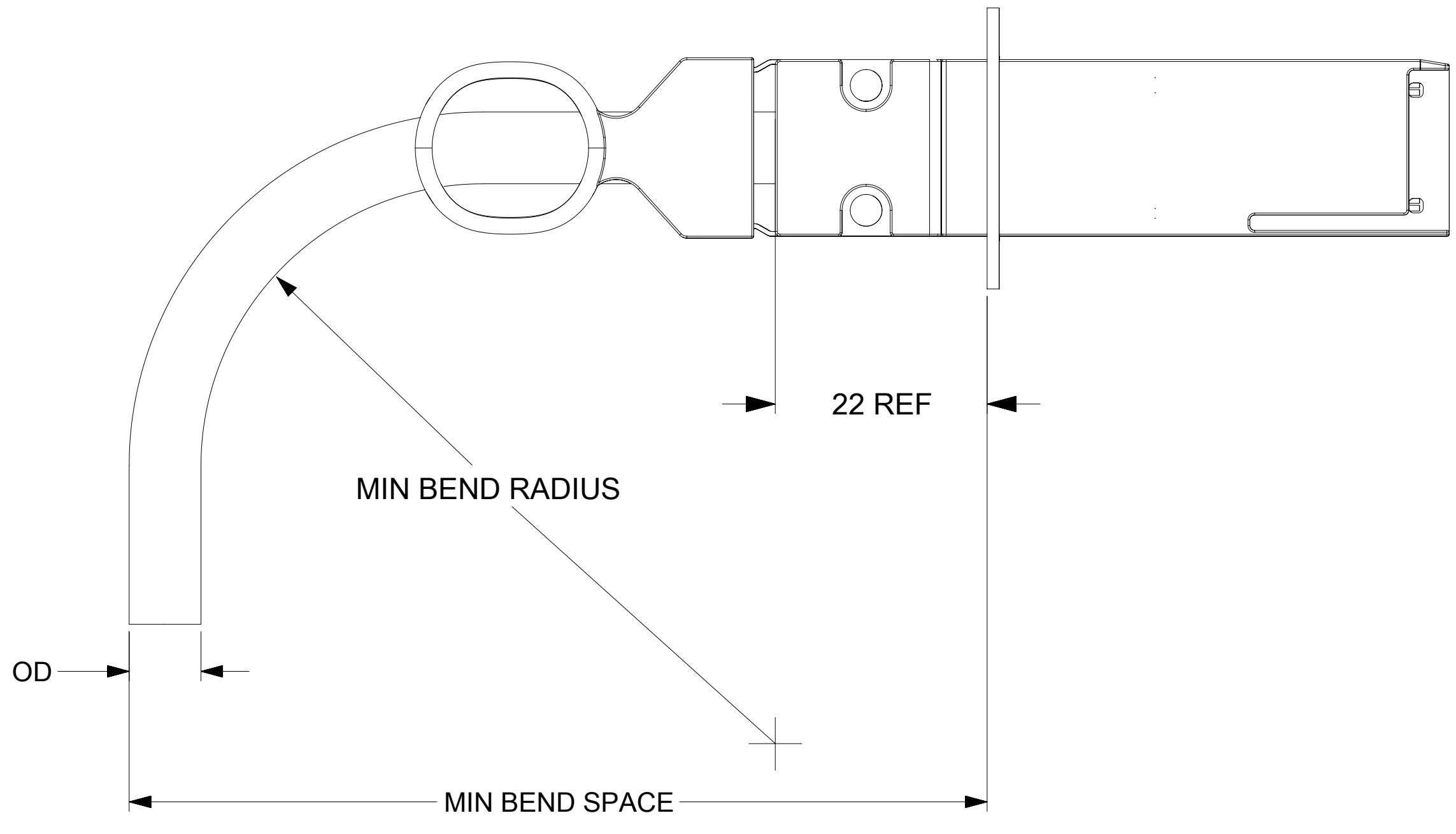
ZQSFP+ TO 2X ZQSFP+ BREAKOUT CABLE ASSEMBLY

PRODUCT CUSTOMER DRAWING

DOCUMENT NUMBER	DOC TYPE	DOC PART	REVISION
1003461051	PSD	001	L

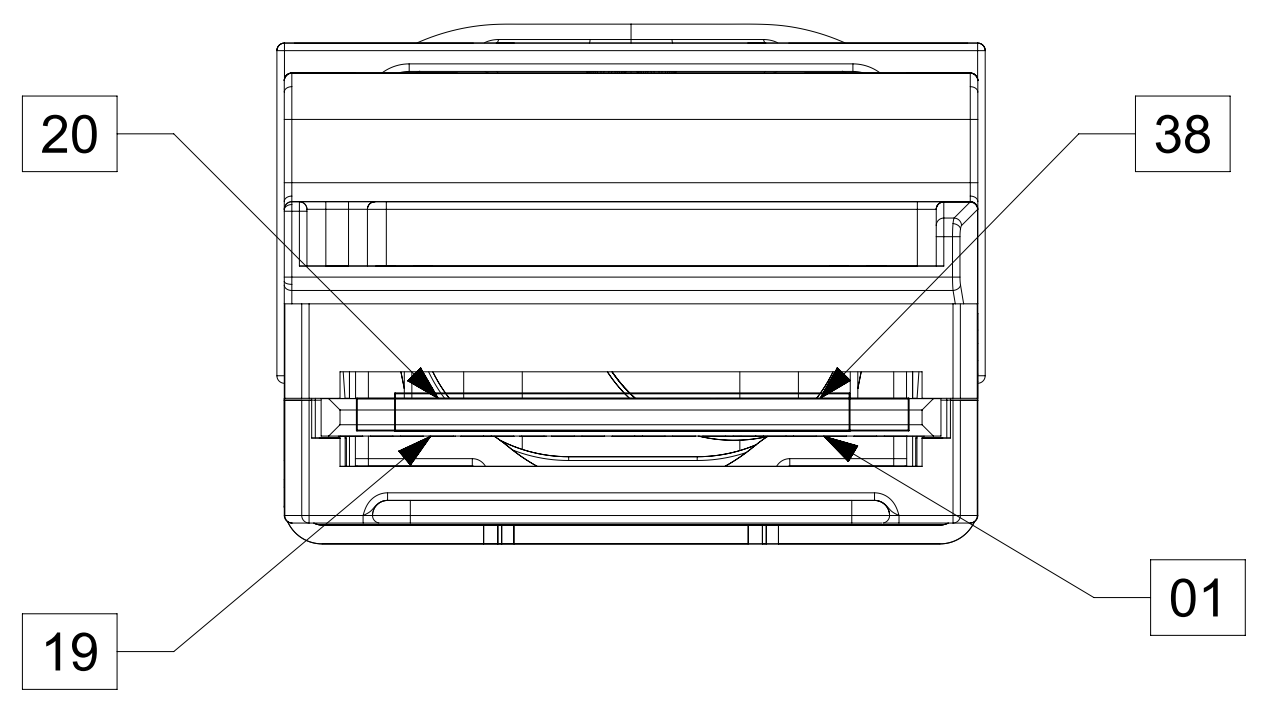


CABLE AWG	MINIMUM BEND RADIUS (mm)	MINIMUM BEND SPACE (mm)
30	28	61
28	30	64
26	38	75



CABLE AWG	MINIMUM BEND RADIUS (mm)	MINIMUM BEND SPACE (mm)
30	28	55
28	30	58
26	38	67

PINOUT



**LOW SPEED SIGNALS
P1, P2 & P3**

PAD	SIGNAL
08	ModSelL
09	ResetL
10	VccRx
11	SCL
12	SDA
27	ModPrsL
28	IntL
29	VccTx
30	Vcc1
31	LPMODE

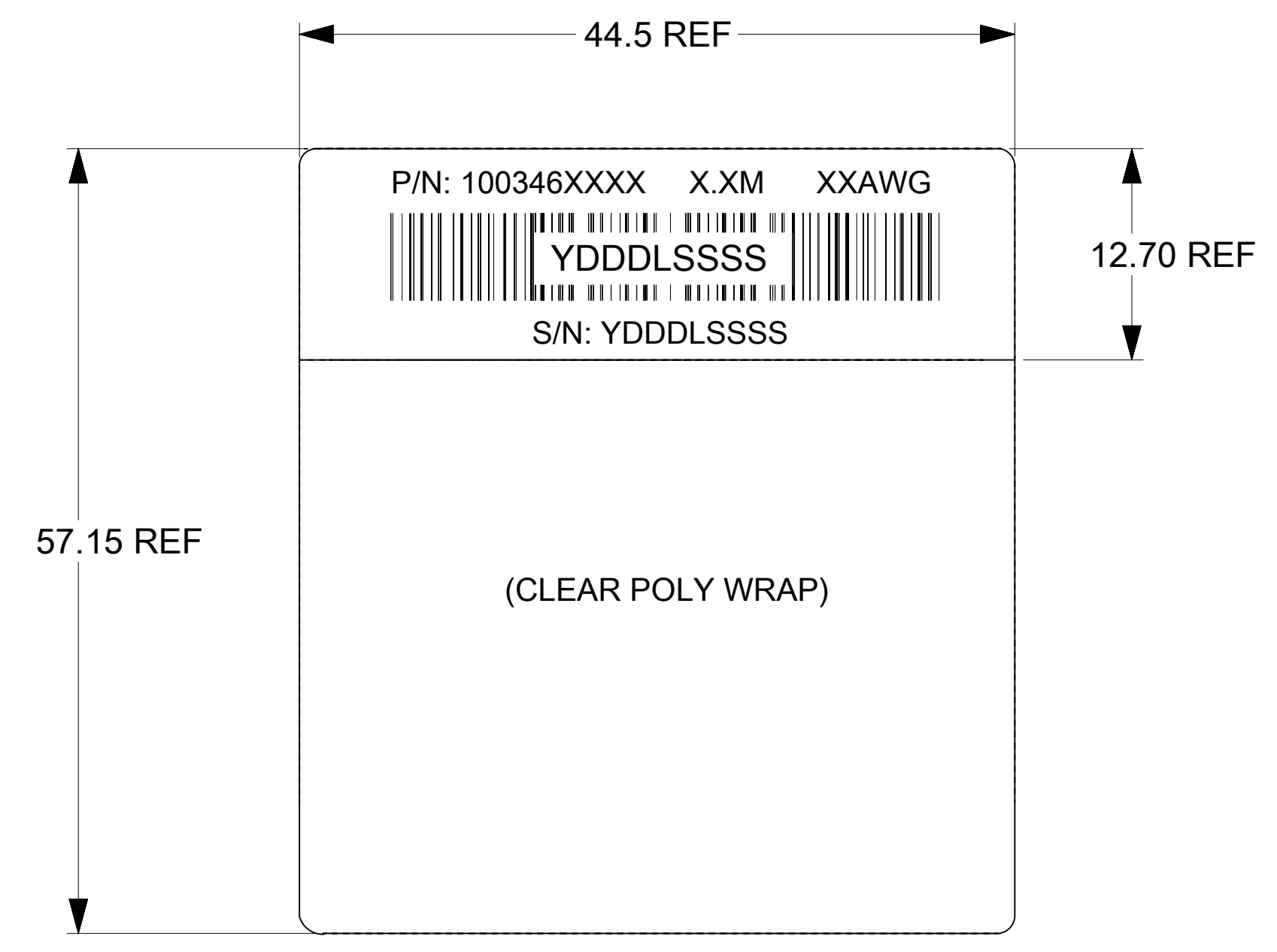
WIRING DIAGRAM

QSFP P1		QSFP		PLUG
PAD	SIGNAL	SIGNAL	PAD	
38	GND	GND	19	P2
37	TX1-	Rx1-	18	
36	TX1+	Rx1+	17	
35	GND	GND	16	
19	GND	GND	38	
17	RX1+	Tx1+	36	
18	RX1-	Tx1-	37	
16	GND	GND	35	
01	GND	GND	20	
02	TX2-	Rx2-	21	
03	TX2+	Rx2+	22	
04	GND	GND	23	
20	GND	GND	01	P3
22	RX2+	Tx2+	03	
21	RX2-	Tx2-	02	
23	GND	GND	04	
35	GND	GND	19	
34	TX3-	Rx1-	18	
33	TX3+	Rx1+	17	
32	GND	GND	16	
16	GND	GND	38	
13	GND	GND	35	
14	RX3+	Tx1+	36	
15	RX3-	Tx1-	37	
04	GND	GND	20	
05	TX4-	Rx2-	21	
06	TX4+	Rx2+	22	
07	GND	GND	23	
23	GND	GND	01	
26	GND	GND	04	
25	RX4+	Tx2+	03	
24	RX4-	Tx2-	02	

QSFP+ PADS 1, 4, 7, 13, 16, 19, 20, 23, 26
32, 35 AND 38 ARE GND

SYMBOLS DIMENSION UNITS: mm SCALE: 2:1 GENERAL TOLERANCES (UNLESS SPECIFIED): ANGULAR TOL: ± 1.0° 4 PLACES: ± 3 PLACES: ± 2 PLACES: ± 0.13 1 PLACE: ± 0.25 0 PLACES: ± DRAFT WHERE APPLICABLE MUST REMAIN WITHIN DIMENSIONS	THIS DRAWING CONTAINS INFORMATION THAT IS PROPRIETARY TO MOLEX ELECTRONIC TECHNOLOGIES, LLC AND SHOULD NOT BE USED WITHOUT WRITTEN PERMISSION CURRENT REV DESC: UPDATED LABEL DIM		
	EC NO: 607196 DRWN: GSARVADE 2018/11/06 CHK'D: GSARVADE 2018/11/08 APPR: KNAGANNA 2018/11/08		
INITIAL REVISION: DRWN: MTAMBRALLI 2017/01/11 APPR: ARAYBURN 2017/02/07		PRODUCT CUSTOMER DRAWING	
DOCUMENT NUMBER: 1003461051		DOC TYPE: PSD	DOC PART: 001
DRAFTING: D-SIZE		SERIES: 100346	SHEET NUMBER: 2 OF 3

LABEL DETAILS

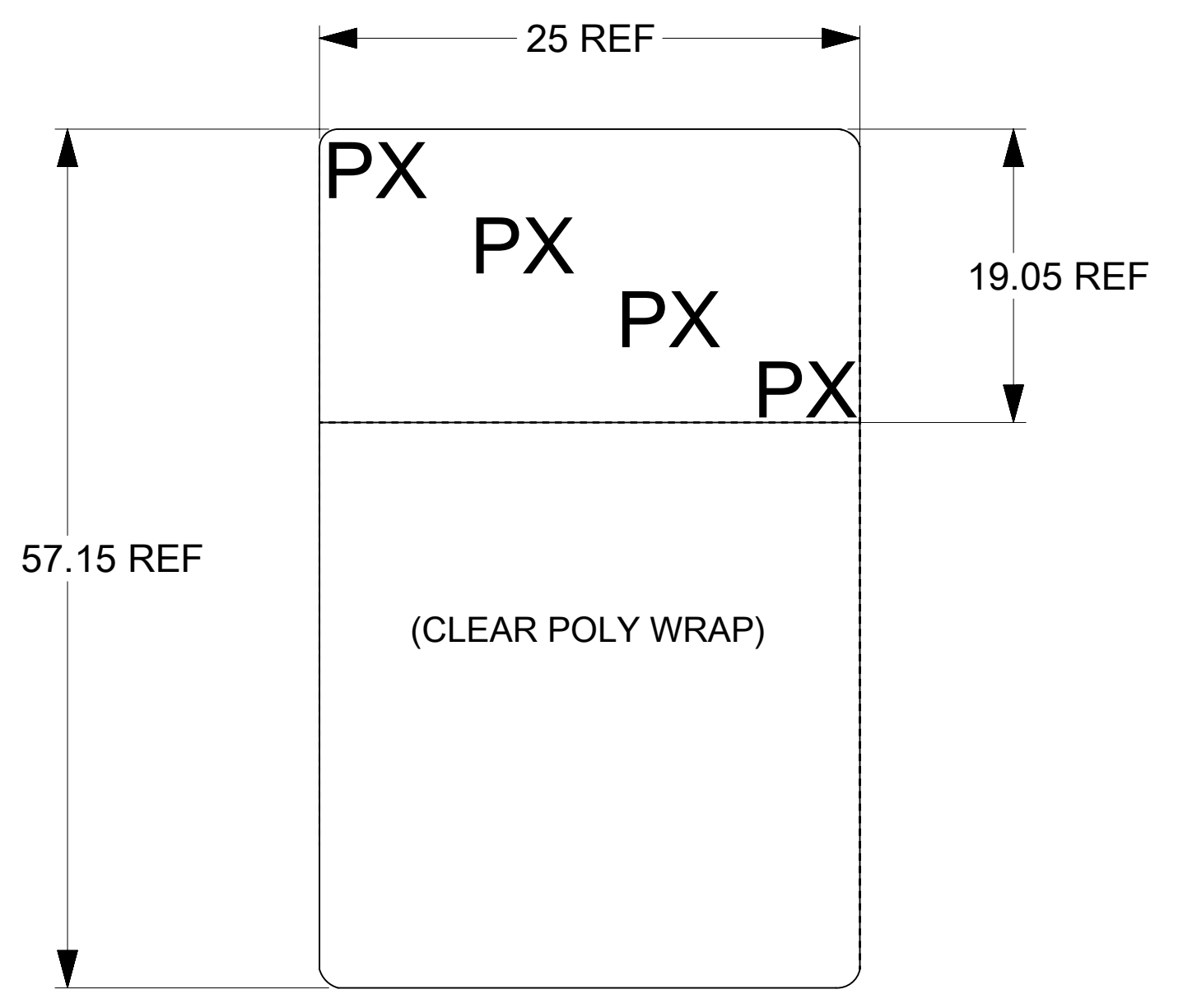


P/N: 100346XXXX - MOLEX PART NUMBER (SEE P/N TABLE)

X.XM - CABLE LENGTH IN METERS (EXAMPLES - 0.5M, 1.0M)

S/N: YDDLSSSS - SERIAL NUMBER
 Y - YEAR, THE LAST DIGIT OF YEAR
 DDD - DAY OF THE YEAR
 L - LOCATION
 1 - USA
 2 - MEXICO
 3 - CHINA
 4 - PHILIPPINES
 SSSS - SERIAL NUMBER (0001-9999)

END LABEL



'P2' & 'P3' LABELS REQUIRED ON BOTH 2zQ ENDS.
 'P1' LABEL REQUIRED ON zQ END.
 PX - P1/P2/P3 ENDS

MOLEX P/N	LENGTH(M)	TOL.(M)	AWG	RAW CABLE
1003461051	0.5	±0.05	30	TEMPFLEX
1003461071	0.75	±0.05	30	
1003461101	1.0	±0.05	30	
1003461151	1.5	±0.08	30	
1003461201	2.0	±0.08	30	
1003461251	2.5	±0.08	30	
1003461301	3.0	±0.08	30	
1003462051	0.5	±0.05	28	
1003462071	0.75	±0.05	28	
1003462101	1.0	±0.05	28	
1003462151	1.5	±0.05	28	
1003462201	2.0	±0.08	28	
1003462251	2.5	±0.08	28	
1003462301	3.0	±0.08	28	
1003463051	0.5	±0.05	26	
1003463071	0.75	±0.05	26	
1003463101	1.0	±0.05	26	
1003463151	1.5	±0.05	26	
1003463201	2.0	±0.08	26	
1003463251	2.5	±0.08	26	
1003463301	3.0	±0.08	26	
1003463351	3.5	±0.08	26	
1003463401	4.0	±0.08	26	
1003463451	4.5	±0.08	26	
1003463501	5.0	±0.08	26	
1003465051	0.5	±0.05	30	BELDEN
1003465071	0.75	±0.05	30	
1003465101	1.0	±0.05	30	
1003465151	1.5	±0.08	30	
1003465201	2.0	±0.08	30	
1003465251	2.5	±0.08	30	
1003465301	3.0	±0.08	30	

*30AWG CABLES SHORTER THAN 1.0M, DO NOT MEET ALL ELECTRICAL PARAMETER OF IEEE802.3BJ.

SYMBOLS	THIS DRAWING CONTAINS INFORMATION THAT IS PROPRIETARY TO MOLEX ELECTRONIC TECHNOLOGIES, LLC AND SHOULD NOT BE USED WITHOUT WRITTEN PERMISSION			
	DIMENSION UNITS	SCALE	CURRENT REV DESC: UPDATED LABEL DIM	
▽ = 0	mm	1:1	<p>molex</p> <p>ZQSFP+ TO 2X ZQSFP+ BREAKOUT CABLE ASSEMBLY</p> <p>PRODUCT CUSTOMER DRAWING</p>	
▽ = 0	GENERAL TOLERANCES (UNLESS SPECIFIED)			
▽ = 0	ANGULAR TOL ± 1.0°			
▽ = 0	4 PLACES	±		
▽ = 0	3 PLACES	±		
▽ = 0	2 PLACES	± 0.13	EC NO: 607196 DRWN: GSARVADE 2018/11/06 CHK'D: GSARVADE 2018/11/08 APPR: KNAGANNA 2018/11/08	
▽ = 0	1 PLACE	± 0.25	INITIAL REVISION: DRWN: MTAMBRALLI 2017/01/11 APPR: ARAYBURN 2017/02/07	
▽ = 0	0 PLACES	±	DOCUMENT NUMBER: 1003461051 DOC TYPE: PSD DOC PART: 001 REVISION: L	
□ = 0	DRAFT WHERE APPLICABLE MUST REMAIN WITHIN DIMENSIONS	THIRD ANGLE PROJECTION	DRAWING	SHEET NUMBER
▽ = 0			D-SIZE	3 OF 3
		SERIES	MATERIAL NUMBER	CUSTOMER
		100346	SEE P/N TABLE	GENERAL MARKET