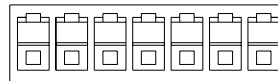
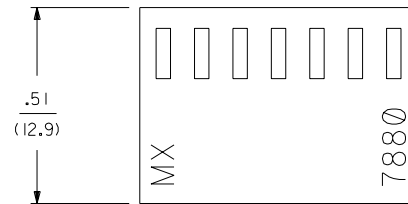
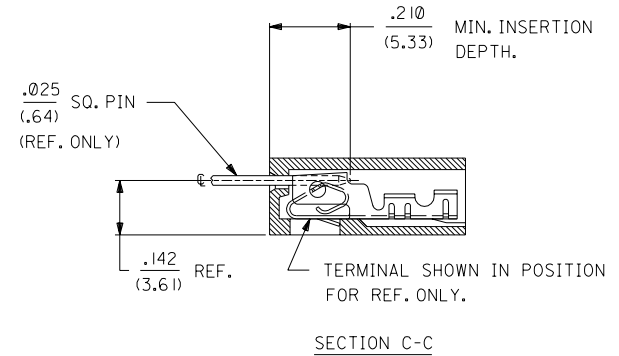
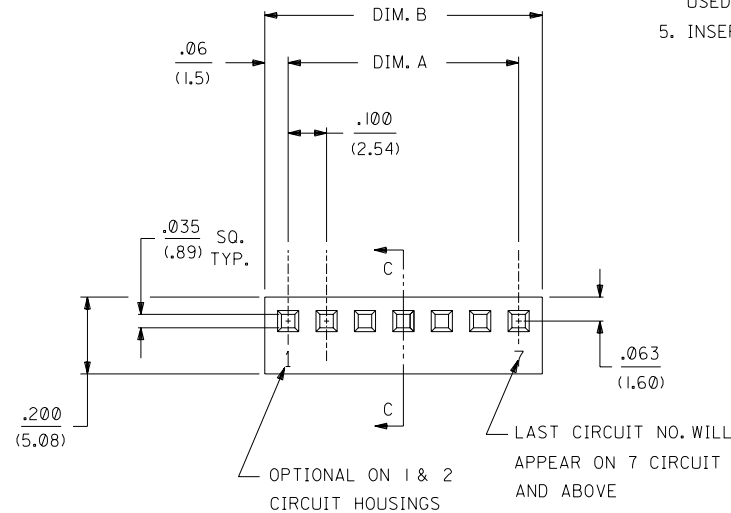


|   | 13            | 12                        | 11                        | 10 | 9 | 8 | 7 | 6 | 7880 | 4 | 3 | 2 | 1 |
|---|---------------|---------------------------|---------------------------|----|---|---|---|---|------|---|---|---|---|
| J | NO. OF CKT'S. | DIM. A                    | DIM. B                    |    |   |   |   |   |      |   |   |   |   |
|   | 1             |                           | .122±.010<br>(3.10±.25)   |    |   |   |   |   |      |   |   |   |   |
|   | 2             | .100±.004<br>(2.54±.10)   | .222±.010<br>(5.64±.25)   |    |   |   |   |   |      |   |   |   |   |
|   | 3             | .200±.004<br>(5.08±.10)   | .322±.010<br>(8.18±.25)   |    |   |   |   |   |      |   |   |   |   |
| I | 4             | .300±.004<br>(7.62±.10)   | .422±.010<br>(10.72±.25)  |    |   |   |   |   |      |   |   |   |   |
|   | 5             | .400±.004<br>(10.16±.10)  | .522±.010<br>(13.26±.25)  |    |   |   |   |   |      |   |   |   |   |
| H | 6             | .500±.005<br>(12.70±.13)  | .622±.010<br>(15.80±.25)  |    |   |   |   |   |      |   |   |   |   |
|   | 7             | .600±.005<br>(15.24±.13)  | .722±.011<br>(18.34±.28)  |    |   |   |   |   |      |   |   |   |   |
|   | 8             | .700±.005<br>(17.78±.13)  | .822±.011<br>(20.88±.28)  |    |   |   |   |   |      |   |   |   |   |
| G | 9             | .800±.006<br>(20.32±.15)  | .922±.011<br>(23.42±.28)  |    |   |   |   |   |      |   |   |   |   |
|   | 10            | .900±.006<br>(22.86±.15)  | 1.022±.012<br>(25.96±.30) |    |   |   |   |   |      |   |   |   |   |
|   | 11            | 1.000±.006<br>(25.40±.15) | 1.122±.012<br>(28.50±.30) |    |   |   |   |   |      |   |   |   |   |
| F | 12            | 1.100±.006<br>(27.94±.15) | 1.222±.012<br>(31.04±.30) |    |   |   |   |   |      |   |   |   |   |
|   | 13            | 1.200±.007<br>(30.48±.18) | 1.322±.012<br>(33.58±.30) |    |   |   |   |   |      |   |   |   |   |
|   | 14            | 1.300±.007<br>(33.02±.18) | 1.422±.013<br>(36.12±.33) |    |   |   |   |   |      |   |   |   |   |
|   | 15            | 1.400±.011<br>(35.56±.28) | 1.522±.013<br>(38.66±.33) |    |   |   |   |   |      |   |   |   |   |
| E | 16            | 1.500±.011<br>(38.10±.28) | 1.622±.013<br>(41.20±.33) |    |   |   |   |   |      |   |   |   |   |
|   | 17            | 1.600±.011<br>(40.64±.28) | 1.722±.013<br>(43.74±.33) |    |   |   |   |   |      |   |   |   |   |
|   | 18            | 1.700±.011<br>(43.18±.28) | 1.822±.014<br>(46.28±.36) |    |   |   |   |   |      |   |   |   |   |
| D | 19            | 1.800±.011<br>(45.72±.28) | 1.922±.014<br>(48.82±.36) |    |   |   |   |   |      |   |   |   |   |
|   | 20            | 1.900±.011<br>(48.26±.28) | 2.022±.014<br>(51.36±.36) |    |   |   |   |   |      |   |   |   |   |
|   | 21            | 2.000±.012<br>(50.80±.30) | 2.122±.015<br>(53.90±.38) |    |   |   |   |   |      |   |   |   |   |
| C | 22            | 2.100±.012<br>(53.34±.30) | 2.222±.015<br>(56.44±.38) |    |   |   |   |   |      |   |   |   |   |
|   | 23            | 2.200±.012<br>(55.88±.30) | 2.322±.015<br>(59.98±.38) |    |   |   |   |   |      |   |   |   |   |
|   | 24            | 2.300±.012<br>(58.42±.30) | 2.422±.016<br>(61.52±.41) |    |   |   |   |   |      |   |   |   |   |
| B | 25            | 2.400±.013<br>(60.96±.33) | 2.522±.016<br>(64.06±.41) |    |   |   |   |   |      |   |   |   |   |
|   | 26            | 2.500±.013<br>(63.50±.33) | 2.622±.016<br>(66.60±.41) |    |   |   |   |   |      |   |   |   |   |
|   | 27            | 2.600±.013<br>(66.04±.33) | 2.722±.016<br>(69.14±.41) |    |   |   |   |   |      |   |   |   |   |
| A | 28            | 2.700±.013<br>(68.58±.33) | 2.822±.017<br>(71.68±.43) |    |   |   |   |   |      |   |   |   |   |

NOTES:

1. DIMENSIONS GIVEN ACROSS CENTERLINES ARE SYMMETRICAL ABOUT THOSE CENTERLINES WITHIN HALF THE TOTAL TOLERANCES.
2. THIS HOUSING FOR USE WITH SHROUDED TERMINAL 7879.
3. THIS PRODUCT COMPLIES WITH MOLEX PRODUCT SPEC. NO. 7879.
4. SPECIAL SUPPORT MAY BE REQUIRED FOR PRINTED CIRCUIT BOARDS USED WITH 10 OR MORE CIRCUIT CONNECTORS.
5. INSERTION AND WITHDRAWL FORCES RANGE FROM 1.3 TO 1.9 POUNDS PER CIRCUIT.



7880 - N \* - \*

NO. OF CKTS.

VOID CODE  
NO. CORRESPONDS TO  
CKT. NO. VOIDED.  
MULT. VOIDS START WITH 51.

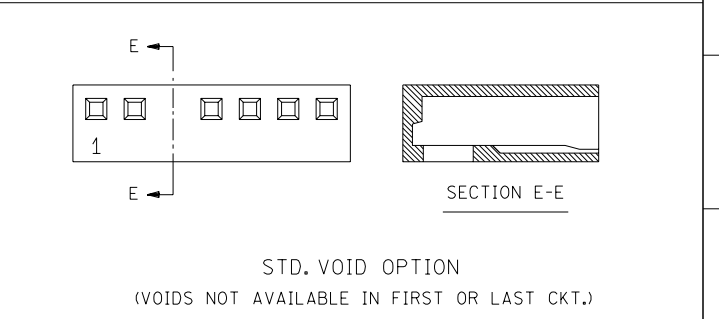
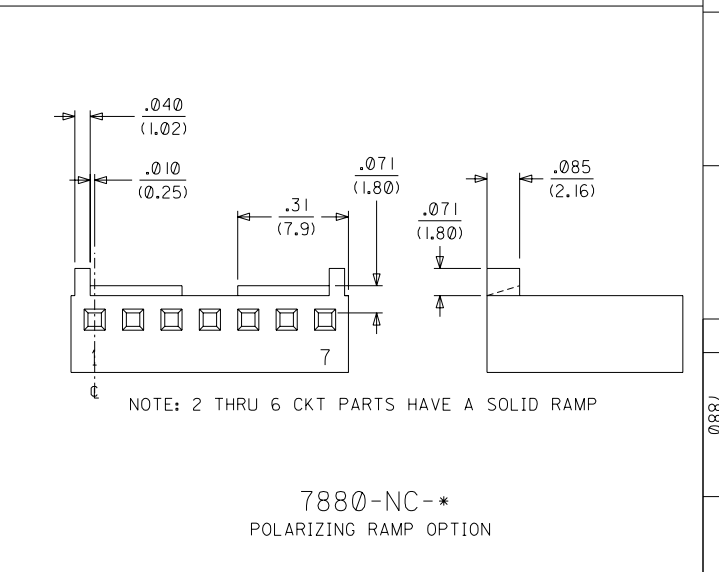
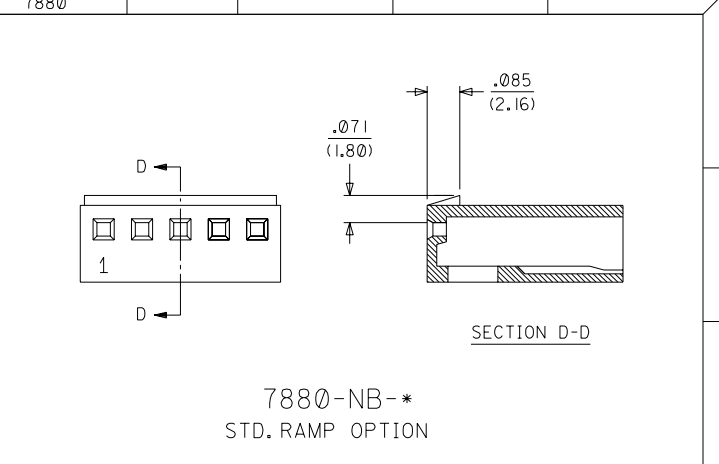
| OPTION CODE |           |                           |
|-------------|-----------|---------------------------|
| OPT. CODE   | RAMP      | MATERIAL                  |
| A           | NONE      | NYLON, 94V-0, COLOR-WHITE |
| B           | STD. RAMP | NYLON, 94V-0, COLOR-WHITE |
| C           | POL. RAMP | NYLON, 94V-0, COLOR-WHITE |

|  |                             |   |           |
|--|-----------------------------|---|-----------|
| DIMENSIONS SHOWN (METRIC) INCH<br>UNLESS OTHERWISE SPECIFIED<br>TOLERANCES: ANGULAR ± 1/2° |                             | ▽ = 0 ▼ = 0 REVISE ONLY ON CAD SYSTEM   |           |
| 3 PLACE ± .010 ---   |                             | TITLE<br>(2.54)/.100 KK, HOUSING<br>FOR SHROUDED CRIMP<br>TYPE TERMINAL   |           |
| 2 PLACE ± .014 ± 0.25  |                             | MOLEX INCORPORATED SHEET NO. DATE<br>U.S.A. 1 OF 2 08/24/88   |           |
| 1 PLACE --- ± 0.35   |                             | PART NO. DRWG. NO.<br>SEE CHART SD-7880   |           |
| DRAFT WHERE APPLICABLE MUST<br>REMAIN WITHIN DIMENSIONS                                    |                             | THIS DRAWING CONTAINS INFORMATION THAT IS PROPRIETARY TO<br>MOLEX INC. AND SHOULD NOT BE USED WITHOUT WRITTEN PERMISSION. |           |
| DRWG. BY: GUZIK  | CHK'D. BY: PATEL            | FILE NAME   | DIV. SIZE |
| APP'D. BY: LENZ  | SCALE :                     |   |           |
| LTR. REVISIONS   | LTR. REVISIONS              |   |           |
|  | ADD REGRIND<br>UCP2003-1447 |   |           |
|  | 12/26/2002 SAMIEC           |   |           |

|   |     |
|---|-----|
| 2 | L   |
| 1 | L I |

MFG. SH. REV.

| 7880-NA-*  |          |           | 7880-NB-*  |            |           | 7880-NC-*  |          |           |
|------------|----------|-----------|------------|------------|-----------|------------|----------|-----------|
| PART NO.   | ENG. NO. | VOID CKT. | PART NO.   | ENG. NO.   | VOID CKT. | PART NO.   | ENG. NO. | VOID CKT. |
| 10-01-2019 | 7880-1A  |           | 10-11-2013 | 7880-1B    |           | N/A        | 7880-1C  |           |
| 10-01-2029 | 7880-2A  |           | 10-11-2023 | 7880-2B    |           | 10-11-2024 | 7880-2C  |           |
| 10-01-2039 | 7880-3A  |           | 10-11-2033 | 7880-3B    |           | 10-11-2034 | 7880-3C  |           |
| 10-01-2049 | 7880-4A  |           | 10-11-2043 | 7880-4B    |           | 10-11-2044 | 7880-4C  |           |
| 10-01-2059 | 7880-5A  |           | 10-11-2053 | 7880-5B    |           | 10-11-2054 | 7880-5C  |           |
| 10-01-2069 | 7880-6A  |           | 10-11-2063 | 7880-6B    |           | 10-11-2064 | 7880-6C  |           |
| 10-01-2079 | 7880-7A  |           | 10-11-2073 | 7880-7B    |           | 10-11-2074 | 7880-7C  |           |
| 10-01-2089 | 7880-8A  |           | 10-11-2083 | 7880-8B    |           | 10-11-2084 | 7880-8C  |           |
| 10-01-2099 | 7880-9A  |           | 10-11-2093 | 7880-9B    |           | 10-11-2094 | 7880-9C  |           |
| 10-01-2109 | 7880-10A |           | 10-11-2103 | 7880-10B   |           | 10-11-2104 | 7880-10C |           |
| 10-01-2119 | 7880-11A |           | 10-11-2113 | 7880-11B   |           | 10-11-2114 | 7880-11C |           |
| 10-01-2129 | 7880-12A |           | 10-11-2123 | 7880-12B   |           | 10-11-2124 | 7880-12C |           |
| 10-01-2139 | 7880-13A |           | 10-11-2133 | 7880-13B   |           | 10-11-2134 | 7880-13C |           |
| 10-01-2149 | 7880-14A |           | 10-11-2143 | 7880-14B   |           | 10-11-2144 | 7880-14C |           |
| 10-01-2159 | 7880-15A |           | 10-11-2153 | 7880-15B   |           | 10-11-2154 | 7880-15C |           |
| 10-01-2169 | 7880-16A |           | 10-11-2163 | 7880-16B   |           | 10-11-2164 | 7880-16C |           |
| 10-01-2179 | 7880-17A |           | 10-11-2173 | 7880-17B   |           | 10-11-2174 | 7880-17C |           |
| 10-01-2189 | 7880-18A |           | 10-11-2183 | 7880-18B   |           | 10-11-2184 | 7880-18C |           |
| 10-01-2199 | 7880-19A |           | 10-11-2193 | 7880-19B   |           | 10-11-2194 | 7880-19C |           |
| 10-01-2209 | 7880-20A |           | 10-11-2203 | 7880-20B   |           | 10-11-2204 | 7880-20C |           |
| 10-01-2219 | 7880-21A |           | 10-11-2213 | 7880-21B   |           | 10-11-2214 | 7880-21C |           |
| 10-01-2229 | 7880-22A |           | 10-11-2223 | 7880-22B   |           | 10-11-2224 | 7880-22C |           |
| 10-01-2239 | 7880-23A |           | 10-11-2233 | 7880-23B   |           | 10-11-2234 | 7880-23C |           |
| 10-01-2249 | 7880-24A |           | 10-11-2243 | 7880-24B   |           | 10-11-2244 | 7880-24C |           |
| 10-01-2259 | 7880-25A |           | 10-11-2253 | 7880-25B   |           | 10-11-2254 | 7880-25C |           |
| 10-01-2269 | 7880-26A |           | 10-11-2263 | 7880-26B   |           | 10-11-2264 | 7880-26C |           |
| 10-01-2279 | 7880-27A |           | 10-11-2273 | 7880-27B   |           | 10-11-2274 | 7880-27C |           |
| 10-01-2289 | 7880-28A |           | 10-11-2283 | 7880-28B   |           | 10-11-2284 | 7880-28C |           |
|            |          |           | 10-11-2052 | 7880-5B-2  | 2         |            |          |           |
|            |          |           | 10-11-2092 | 7880-9B-2  | 2         |            |          |           |
|            |          |           | 10-11-2105 | 7880-10B-4 | 4         |            |          |           |



|             |             |  |  |  |
|-------------|-------------|--|--|--|
| SEE SHEET I | SEE SHEET I | DIMENSIONS SHOWN (METRIC) INCH<br>UNLESS OTHERWISE SPECIFIED<br>TOLERANCES: ANGULAR $\pm 1/2^\circ$<br>INCH METRIC<br>5 PLACE $\pm .010$<br>2 PLACE $\pm .014$ $\pm 0.25$<br>1 PLACE $\pm 0.36$<br>DRAFT WHERE APPLICABLE MUST<br>REMAIN WITHIN DIMENSIONS<br>DRWG. BY: GUZIK CHK'D. BY: PATEL<br>APP'D. BY: LENZ SCALE: | REVISIONS<br>LTR. REVISIONS LTR. REVISIONS | THIS DRAWING CONTAINS INFORMATION THAT IS PROPRIETARY TO MOLEX INC. AND SHOULD NOT BE USED WITHOUT WRITTEN PERMISSION. |
| SEE SHEET I | SEE SHEET I |  |  |  |
| SEE SHEET I | SEE SHEET I |  |  |  |
| SEE SHEET I | SEE SHEET I |  |  |  |
| SEE SHEET I | SEE SHEET I |  |  |  |
| SEE SHEET I | SEE SHEET I |  |  |  |
| SEE SHEET I | SEE SHEET I | FILE NAME: SEE CHART<br>SHEET NO.: 2<br>DATE: 08/24/88<br>MOLEX INCORPORATED U.S.A.<br>L15LEJLL 60532<br>DRWG. NO.: SD-7880  | DIV. C<br>SIZE                             |  |