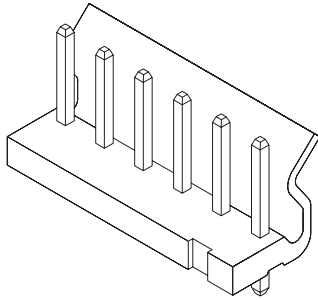


5.08mm (.200") Pitch SPOX™ Header 5281-NA Vertical Friction Lock



Circuits	Order No.	Lead-free
2	10-32-1021	Yes
3	10-32-1031	
4	10-32-1041	
5	10-32-1051	
6	10-32-1061	
7	10-32-1071	
8	10-32-1081	
9	10-32-1091	

Features and Benefits

- Sizes 2 to 9 circuits
- Other plating options available

Reference Information

Packaging: Bag
 UL File No.: E29179
 CSA File No.: LR19980
 Mates With: 5197-N housing
 Designed In: Millimeters

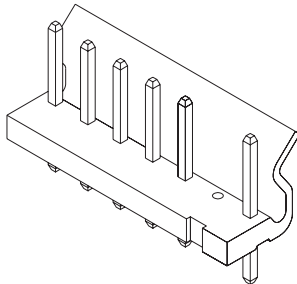
Electrical

Voltage: 250V
 Current: 7.0A
 Contact Resistance: 10 milliohms max.
 Dielectric Withstanding Voltage: 1500V AC/1 min.
 Insulation Resistance: 1000 Megohms min.

Physical

Housing: 6/6 nylon, UL 94V-2
 Contact: Brass, 1.14mm (.045") square
 Plating: Tin
 Operating Temperature: -40 to +105°C

5.08mm (.200") Pitch SPOX™ Header 5285-NA Vertical, Friction Lock With Void



Circuits	Order No.	Lead-free
2	10-63-1029	Yes
3	10-63-1039	
4	10-63-1049	
5	10-63-1059	
6	10-63-1069	
7	10-63-1079	
8	10-63-1089	

Features and Benefits

- Sizes 2 to 8 circuits
- Second pin void
- Other plating options available

Reference Information

Packaging: Bag
 UL File No.: E29179
 CSA File No.: LR19980
 Mates With: 5198-N housing
 Designed In: Millimeters

Electrical

Voltage: 250V
 Current: 7.0A
 Contact Resistance: 10 milliohms max.
 Dielectric Withstanding Voltage: 1500V AC/1 min.
 Insulation Resistance: 1000 Megohms min.

Physical

Housing: 6/6 nylon, UL 94V-2
 Housing: Brass, 1.14mm (.045") square
 Plating: Tin
 Operating Temperature: -40 to +105°C