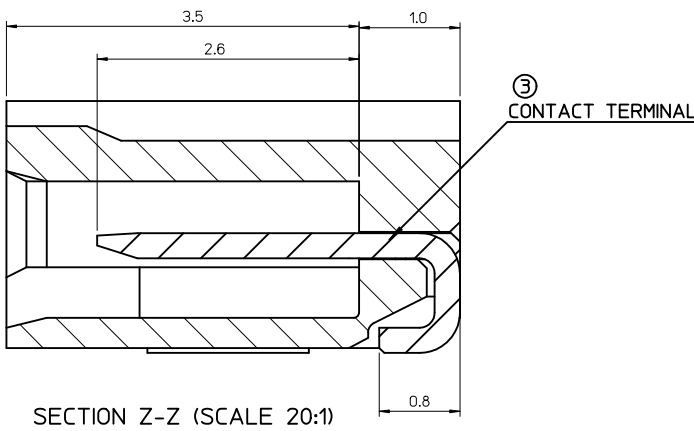
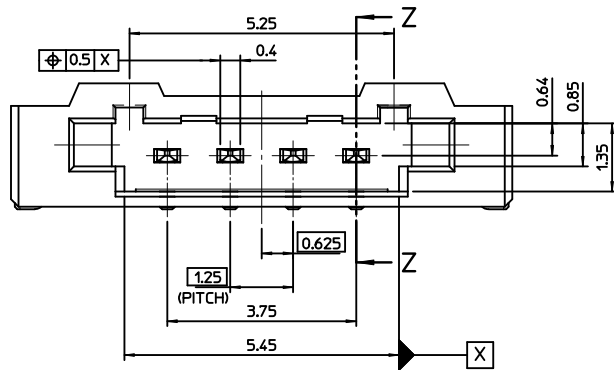
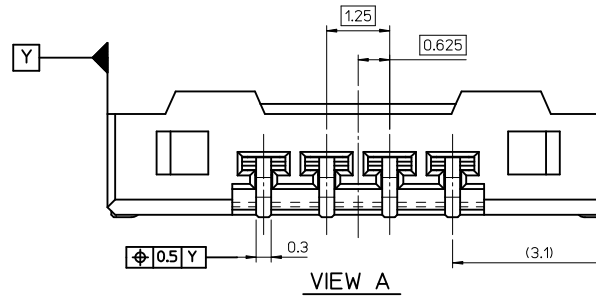
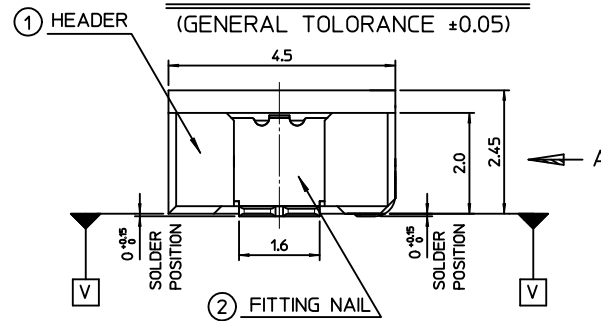


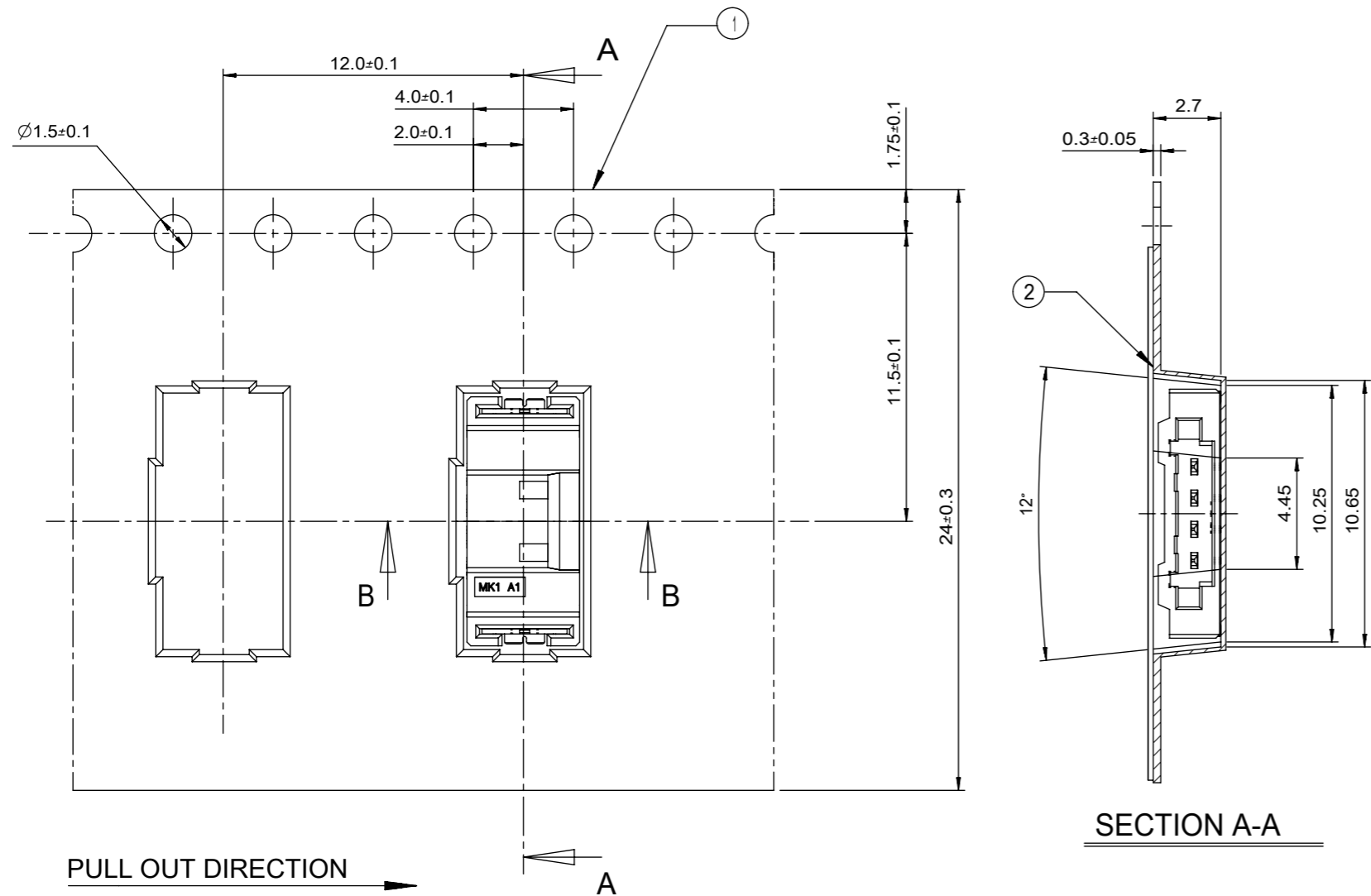
RECOMMEND PATTERN (REF.)
(GENERAL TOLERANCE ±0.05)



NOTE

- MATED WITH : 104085-0400, 104085-0410 , 101085-0420
- MATERIALS
 - ① - HEADER : LCP(E130I), GLASS FILLED, UL94V-0, HALOGEN FREE, COLOR OF NATURAL
 - ② - FITTING NAIL : PHOSPHOR BRONZE, 0.2mm THICKNESS
 - ③ - CONTACT TERMINAL : POSPHOR BRONZE, 0.25mm THICKNESS
- FINISHES
 - ② - FITTING NAIL : PURE-TIN PLATING ON OVERALL.
THICKNESS 3.0µm-5.0µm
UNDER PLATING Ni OVERALL.
THICKNESS 1.25µm-3.75µm
 - ③ - CONTACT TERMINAL : PURE-TIN PLATING ON OVERALL.
THICKNESS 3.0µm-5.0µm
UNDER PLATING Ni OVERALL.
THICKNESS 1.25µm-3.75µm
- COPLANALITY OF SOLDER TAILS (PEAK TEMP. : 260°C), BEFORE & AFTER REFLOW : 0.08MAX

NEW RELEASED EC NO: KOR2011-0057 DRWN:CBCHN 2010/12/02 CHKD:SH-CHU 2010/12/02 APPR:YUNSIKKIM 2010/12/02	QUALITY SYMBOLS ▽=0 ◻=0	GENERAL TOLERANCES (UNLESS SPECIFIED)		DIMENSION STYLE	SCALE	ORDER NUMBER	104086-0410		
				MM ONLY	10:1	DESIGN UNITS	METRIC	THIRD ANGLE PROJECTION	
				DRAWN BY	DATE	TITLE			
				4 PLACES	± ---	± ---	1.25 W-T-B CONN. HEADER ASS'Y-4P		
		3 PLACES	± ---	± ---					
		2 PLACES	± 0.20	± ---					
		1 PLACE	± 0.25	± ---					
		ANGULAR ± ---°		APPROVED BY	DATE	MOLEX INCORPORATED			
		DRAFT WHERE APPLICABLE MUST REMAIN WITHIN DIMENSIONS		Y S00.KIM	2010/07/08	SD-104086-001			
				MATERIAL NO.	1040860410	DOCUMENT NO.			
				SIZE	A3	SHEET NO.			
				THIS DRAWING CONTAINS INFORMATION THAT IS PROPRIETARY TO MOLEX INCORPORATED AND SHOULD NOT BE USED WITHOUT WRITTEN PERMISSION					
				1 OF 01					

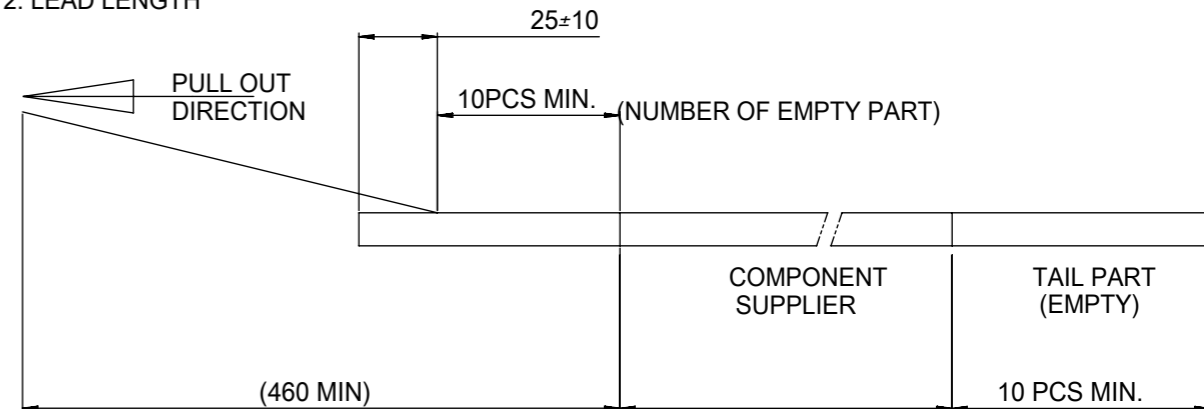


SECTION A-A

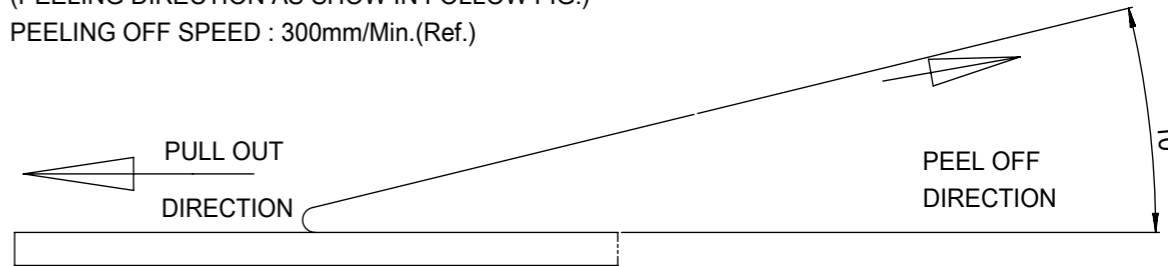
NOTES

1. QUANTITY OF CONNECTORS : 2,000 PCS/REEL

2. LEAD LENGTH

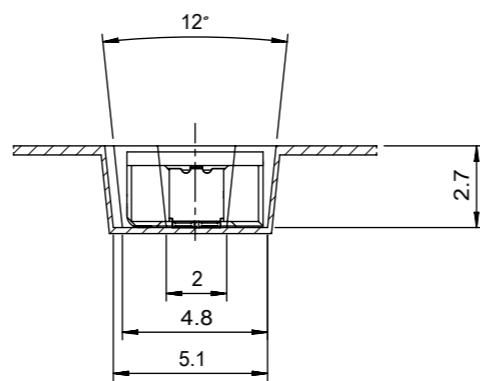


3. PEELING OFF FORCE OF COVER TAPE : 0.1N~0.59N(10.2GF~60GF)
(PEELING DIRECTION AS SHOW IN FOLLOW FIG.)
PEELING OFF SPEED : 300mm/Min.(Ref.)

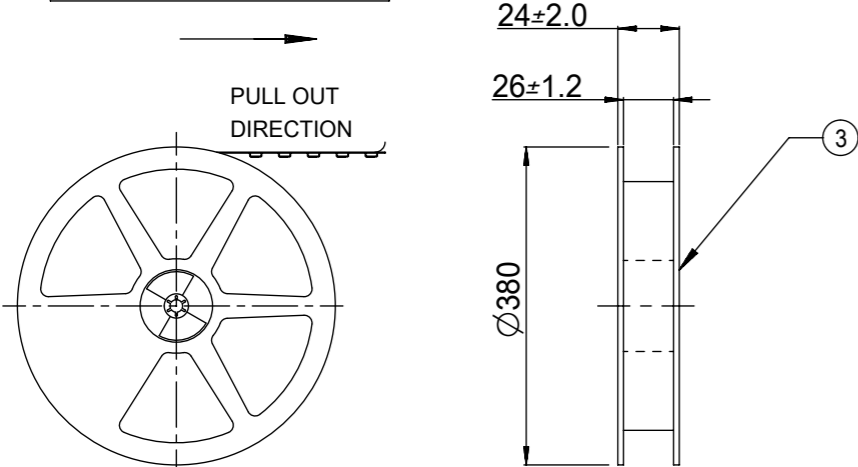
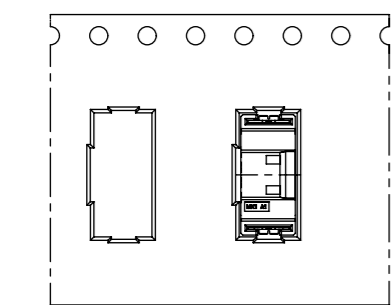


4. FLASH IN ANY PORTION SHOULD BE LESS THAN 0.20mm MAX.
5. UNLESS OTHERWISE SPECIFIED INNER R0.2 MAX
6. DRAFT ANGLE 3°MAX

NO.	DESCRIPTION	MATERIAL	REMARK
3	PLASTIC BOBBIN	HI P.S	WHITE
2	COVER TAPE	PET ANTISTATIC	21.3m
1	CARRIER (EMBOSS) TAPE	PET ANTISTATIC	



SECTION B-B



PLASTIC BOBBIN

SYMBOLS	THIS DRAWING CONTAINS INFORMATION THAT IS PROPRIETARY TO MOLEX ELECTRONIC TECHNOLOGIES, LLC AND SHOULD NOT BE USED WITHOUT WRITTEN PERMISSION	
DIMENSION UNITS	SCALE	CURRENT REV DESC:
▽ = 0	mm	4:1
▽ = 0	GENERAL TOLERANCES (UNLESS SPECIFIED)	
▽ = 0	ANGULAR TOL	± 3.0°
▽ = 0	4 PLACES	±
▽ = 0	3 PLACES	±
▽ = 0	2 PLACES	± 0.25
▽ = 0	1 PLACE	± 0.25
▽ = 0	0 PLACES	±
■ = 0	DRAFT WHERE APPLICABLE MUST REMAIN WITHIN DIMENSIONS	
▽ = 0	THIRD ANGLE PROJECTION	DRAWING
▽ = 0	SERIES	MATERIAL NUMBER
▽ = 0	CUSTOMER	SHEET NUMBER

EC NO: 604036			2018/09/06		
DRWN: JSSHIN			2018/09/06		
CHK'D: SHCHU			2018/09/06		
APPR: SHCHU			2018/09/06		
INITIAL REVISION:			2010/12/02		
DRWN: CBCHIN			2010/12/02		
APPR: YUNSIKKIM			2010/12/02		

molex		1.25 W-T-B CONN		HEADER ASS'Y-4P EMBOSSD PACKAGE	
		PRODUCT CUSTOMER DRAWING			
DOCUMENT NUMBER	DOC TYPE	DOC PART	REVISION		
SD-104086-002	PSD	001	B1		
A3-SIZE	104086	1040860410	GENERAL MARKET	1 OF 1	