

**PLEASE CHECK WWW.MOLEX.COM FOR LATEST PART INFORMATION**

**Part Number:** [104092-2000](#)  
**Status:** **Active**  
**Description:** IllumiMate™ 1.25mm Pitch Wire-to-Board Crimp Housing, Right-Angle Single Row, 20 Circuits

**Documents:**

[3D Model](#) [Packaging Specification PK-104092-001 \(PDF\)](#)  
[Drawing \(PDF\)](#) [RoHS Certificate of Compliance \(PDF\)](#)  
[Product Specification PS-104091-001 \(PDF\)](#)

**General**

Product Family	Crimp Housings
Series	<a href="#">104092</a>
Application	Signal, Wire-to-Board
Product Name	IllumiMate™
UPC	884982407121

**Physical**

Circuits (maximum)	20
Color - Resin	Natural
Gender	Receptacle
Glow-Wire Compliant	No
Keying to Mating Part	None
Lock to Mating Part	Yes
Material - Resin	High Temperature Thermoplastic
Net Weight	0.470/g
Number of Rows	1
Packaging Type	Embossed Tape on Reel
Panel Mount	No
Pitch - Mating Interface	1.25mm
Polarized to Mating Part	Yes
Temperature Range - Operating	-25°C to +130°C

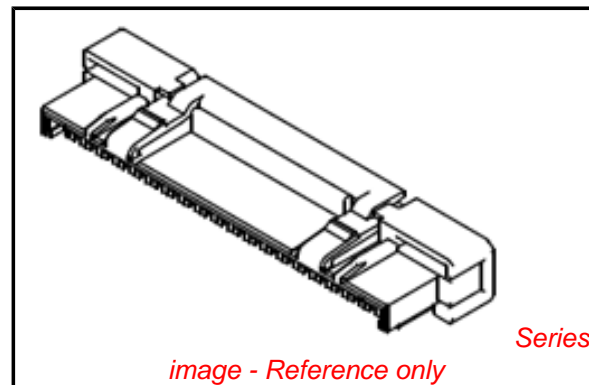
**Electrical**

Current - Maximum per Contact	1.5A
-------------------------------	------

**Material Info**

**Reference - Drawing Numbers**

Packaging Specification	PK-104092-001
Product Specification	PS-104091-001
Sales Drawing	SD-104092-001



*image - Reference only*

**EU RoHS**

**ELV and RoHS Compliant**  
**REACH SVHC**  
**Contains SVHC: No**  
**Low-Halogen Status**  
**Low-Halogen**

**China RoHS**



**Need more information on product environmental compliance?**

Email [productcompliance@molex.com](mailto:productcompliance@molex.com)  
 For a multiple part number RoHS Certificate of Compliance, [click here](#)

Please visit the [Contact Us](#) section for any non-product compliance questions.

**Search Parts in this Series**

[104092Series](#)

**Mates With**

[104091-2020](#)

**Use With**

[104521-6001](#)