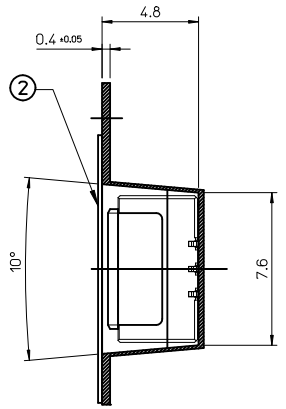
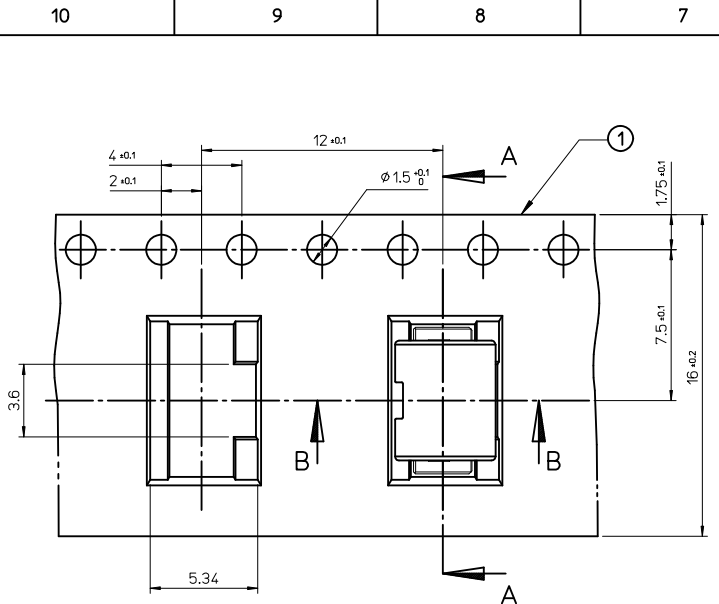
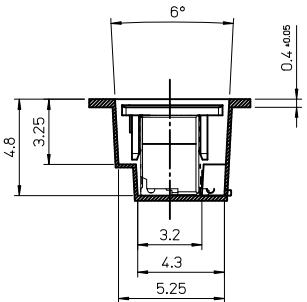


- NOTES.**
- MATED WITH : 104131-0300 / 104131-0310
 - MATERIALS.
 - HEADER : LCP E130i, GLASS FILLED, UL 94V-0 HALOGEN FREE, COLOR OF NATURAL
 - CONTACT TERMINAL : PHOSPHOR BRONZE, 0.25mm Thickness
 - FITTING NAIL : PHOSPHOR BRONZE, 0.2mm Thickness
 - FINISHES.
 - CONTACT TERMINAL : PURE-TIN PLATING ON OVERALL. THICKNESS : 3.0µm~5.0µm UNDER PLATING Ni OVERALL. THICKNESS : 1.25µm~3.75µm
 - FITTING NAIL : PURE-TIN PLATING ON OVERALL. THICKNESS : 3.0µm~5.0µm UNDER PLATING Ni OVERALL. THICKNESS : 1.25µm~3.75µm
 - COPLANALITY OF SOLDER TAIL (PEAK TEMP. : 260°C) BEFORE & AFTER REFLOW : 0.08MAX

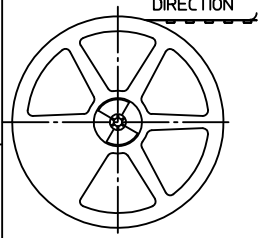
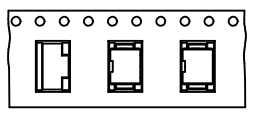
RELEASED EC NO: KOR2012-0059 DRWN: JHPARK01 2011/12/19 CHKD: SHCHU 2011/12/19 APPR: YUNSIKKIM 2011/12/29	QUALITY SYMBOLS ▽=0 ◻=0	GENERAL TOLERANCES (UNLESS SPECIFIED)		DIMENSION STYLE MM ONLY		SCALE METRIC	DESIGN UNITS METRIC	THIRD ANGLE PROJECTION	
		mm	INCH	DRAWN BY	DATE	TITLE 1.25MM WTB CONN. 3P HEADER ASS'Y			
		4 PLACES ± --- ± ---		JHPARK01	2011/12/19				
		3 PLACES ± --- ± ---		CHECKED BY	DATE				
		2 PLACES ± 0.15 ± ---		SHCHU	2011/12/19				
		1 PLACE ± 0.15 ± ---		APPROVED BY	DATE				
		ANGULAR ± 1 °		YUNSIKKIM	2011/12/29				
		DRAFT WHERE APPLICABLE MUST REMAIN WITHIN DIMENSIONS		MATERIAL NO.	DOCUMENT NO.				
				1041300310	SD-104130-001				
				SIZE A3	THIS DRAWING CONTAINS INFORMATION THAT IS PROPRIETARY TO MOLEX INCORPORATED AND SHOULD NOT BE USED WITHOUT WRITTEN PERMISSION				



SECTION A-A



SECTION B-B



PLASTIC BOBBIN

NOTES

1. QUANTITY OF CONNECTORS : 1,500 PCS/REEL
2. LEAD LENGTH
3. PEELING OFF FORCE OF COVER TAPE : 0.1N~0.59N(10.2GF~60GF)
 (PEELING DIRECTION AS SHOW IN FOLLOW FIG.)
 PEELING OFF SPEED : 300mm/Min.(Ref.)
4. FLASH IN ANY PORTION SHOULD BE LESS THAN 0.20mm MAX.
5. UNLESS OTHERWISE SPECIFIED INNER R0.2 MAX
6. DRAFT ANGLE 3°MAX

[TABLE]

1041300310	104130-0310	16.0mm	104130-9901
MATERIAL NO.	CONNECTOR	TAPE WIDTH	EMBOSS TAPE

3	PLASTIC BOBBIN	HI P.S	WHITE
2	COVER TAPE	PET ANTISTATIC	13.3m
1	CARRIER (EMBOSS) TAPE	PET ANTISTATIC	
NO.	DESCRIPTION	MATERIAL	REMARK

ORDER NO 104130-0310

RELEASED EC NO: KOR2012-0059 DRWN: JHPARK01 2011/12/19 CHKD: SHCHU 2011/12/19 APPR: YUNSIKKIM 2011/12/29	QUALITY SYMBOLS	GENERAL TOLERANCES (UNLESS SPECIFIED)	DIMENSION STYLE	SCALE	DESIGN UNITS	THIRD ANGLE PROJECTION	
	$\nabla = 0$ $\sphericalangle = 0$	mm INCH 4 PLACES ± --- ± --- 3 PLACES ± --- ± --- 2 PLACES ± --- ± --- 1 PLACE ± 0.25 ± --- ANGULAR ± 3 °	MM ONLY	DRAWN BY: JB. JIN DATE: 2010/01/21 CHECKED BY: SH. CHU DATE: 2010/01/21 APPROVED BY: YUNSIKKIM DATE: 2011/12/29	METRIC	METRIC	
		DRAFT WHERE APPLICABLE MUST REMAIN WITHIN DIMENSIONS		MATERIAL NO. 1041300310		EMBOSSED PACKAGE 1.25 WIRE TO BOARD CONN. HEADER ASS'Y-3P	
				SIZE A3	DOCUMENT NO. SD-104130-002	MOLEX INCORPORATED SHEET NO. 1 OF 1	