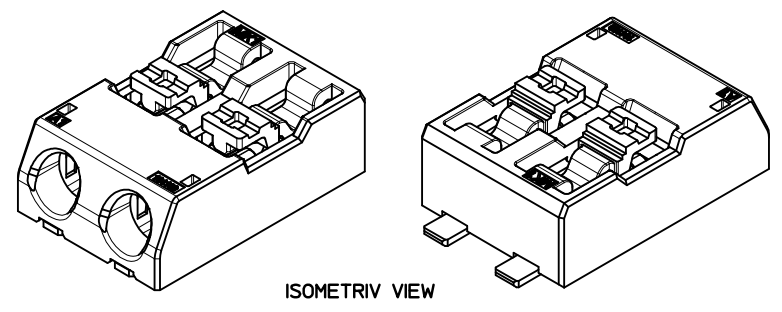
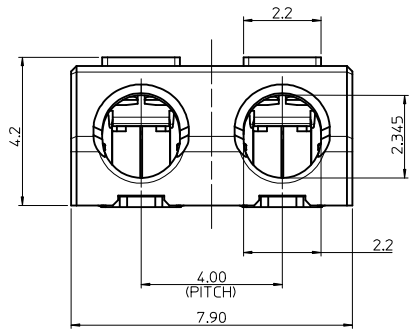
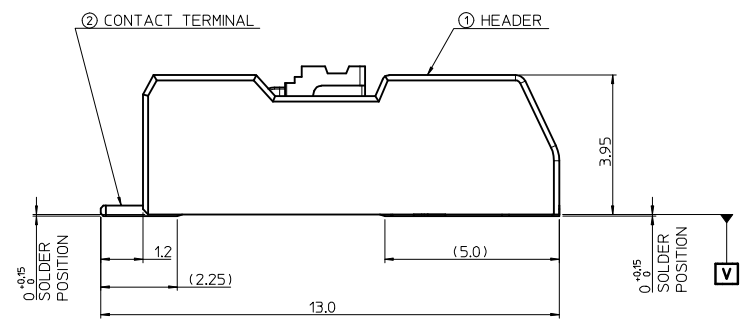
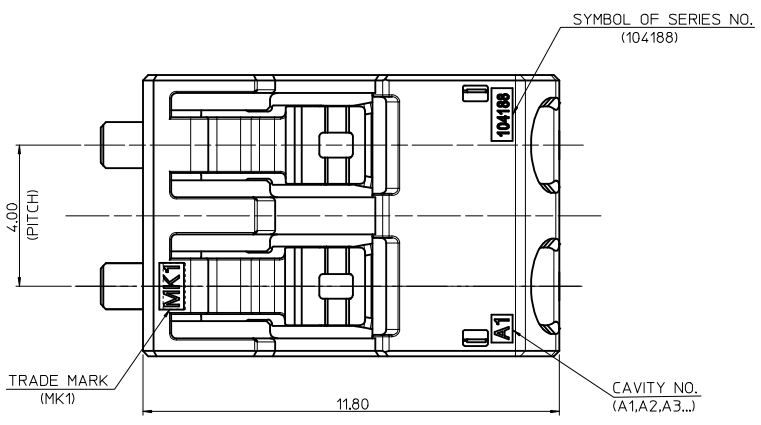
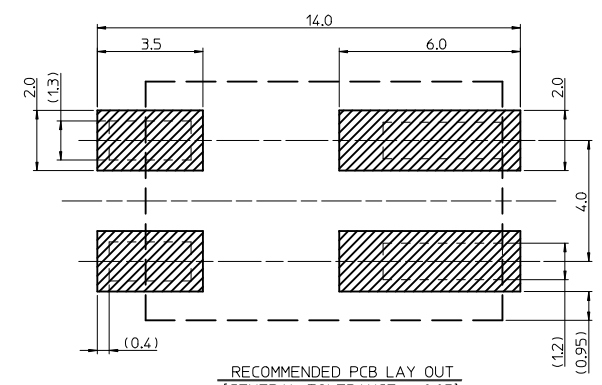


10 9 8 7 6 5 4 3 2 1



ISOMETRIV VIEW



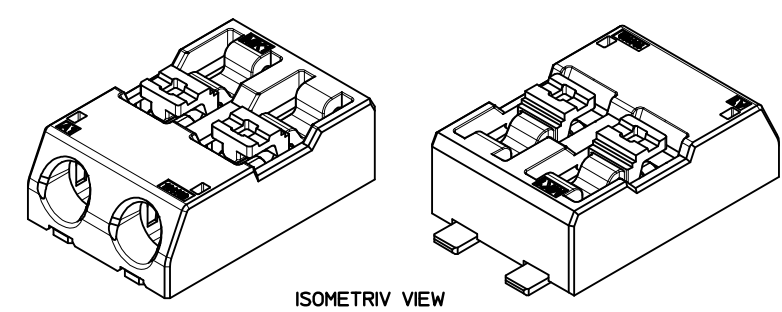
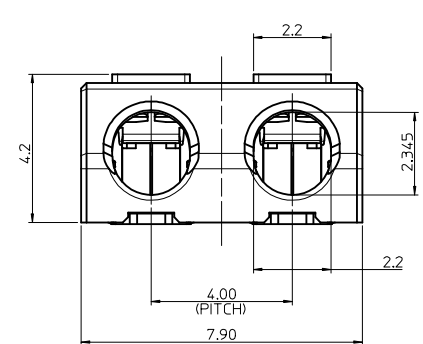
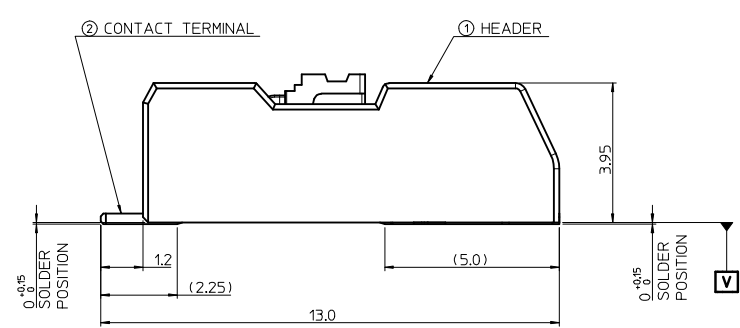
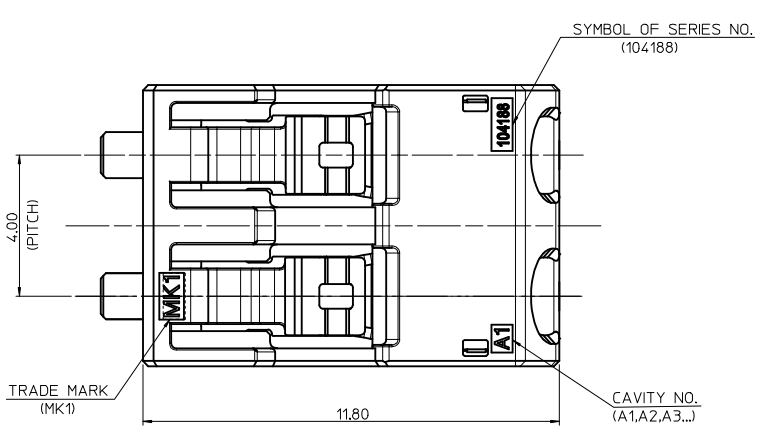
RECOMMENDED PCB LAY OUT  
(GENERAL TOLERANCE : ±0.05)

- NOTE
- MATERIAL
    - HEADER : LIQUID CRYSTAL POLYMER(LCP) UL94V-0, HALOGEN FREE, COLOR OF NATURAL
    - CONTACT TERMINAL : COPPER-ALLOY, 0.3mm THICKNESS
  - PLATING
    - CONTACT TERMINAL : TIN -PLATED
    - 1.0μm MINIMUM TIN PLATING
  - PRODUCT SPECIFICATION : PS-104188-001
  - PACKAGING SPECIFICATION : PK-104188-001
  - COPLANALITY OF SOLDER TAILS (PEAK TEMP. : 260°C), BEFORE & AFTER REFLOW : 0.08 MAX.
  - APPLICABLE WIRE RANGE :
    - (OUTSIDE WIRE INSULATION : 2.1mm DIAMETER MAX.)
    - SOLID WIRE : AWG #24~#18
    - STRAND WIRE : AWG #22~#20

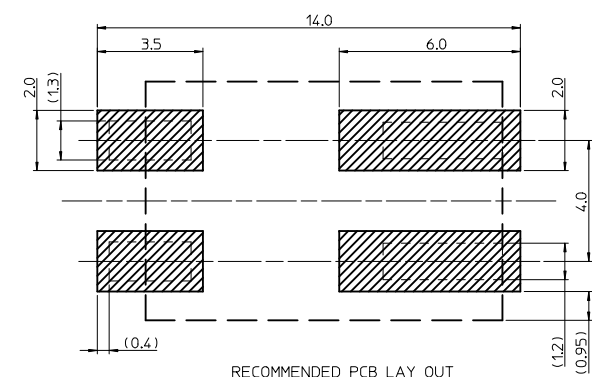
PRELIMINARY REVISED EC NO: KOR2014-0075 DRWN: JSSHIN 2013/12/24 CHKD: SHCHU 2013/12/24 APPR: YSKIM02 2013/12/24	DESCRIPTION A	QUALITY SYMBOLS	GENERAL TOLERANCES (UNLESS SPECIFIED)	DIMENSION STYLE	SCALE	DESIGN UNITS	THIRD ANGLE PROJECTION
		▽=0 □=0	mm    INCH 4 PLACES ± --- ± --- 3 PLACES ± --- ± --- 2 PLACES ± 0.15 ± --- 1 PLACE ± 0.20 ± --- 0 PLACE ± --- ± ---	MM ONLY	7:1	METRIC	
		ANGULAR ± 1 ° DRAFT WHERE APPLICABLE MUST REMAIN WITHIN DIMENSIONS	DRAWN BY    DATE JSSHIN    2013/03/11 CHECKED BY    DATE SHCHU    2013/03/11 APPROVED BY    DATE YSKIM02    2013/12/24	TITLE	LITE-TRAP™ SMT CONNECTOR, 2 CIRCUITS		
			MATERIAL NO. 1041880210	DOCUMENT NO. SD-104188-003	<b>molex</b>		SHEET NO. 1 OF 1

9 8 7 6 5 4 3 2 1

10 9 8 7 6 5 4 3 2 1



ISOMETRIV VIEW

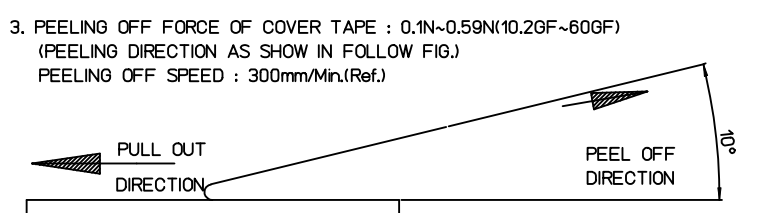
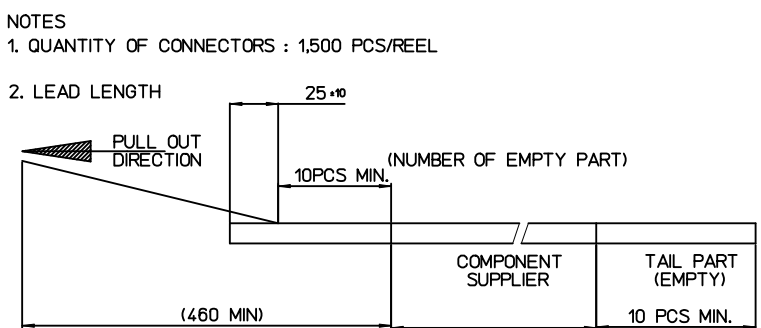
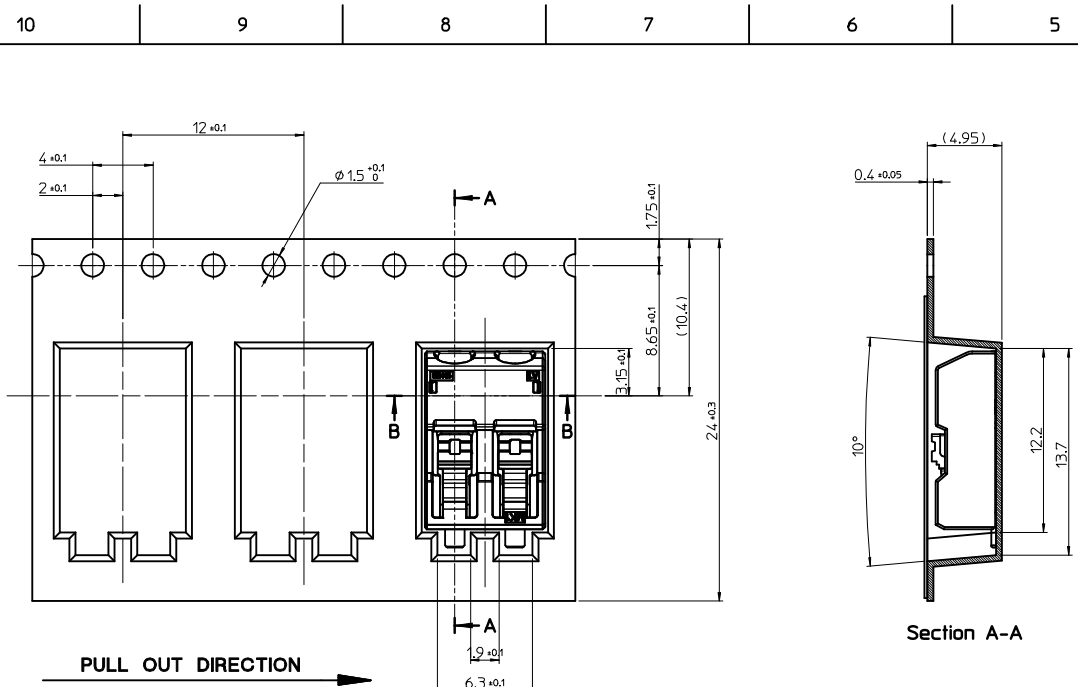


RECOMMENDED PCB LAY OUT  
(GENERAL TOLERANCE : ±0.05)

- NOTE
- MATERIAL
    - HEADER : LIQUID CRYSTAL POLYMER(LCP) UL94V-0, HALOGEN FREE, COLOR OF NATURAL
    - CONTACT TERMINAL : COPPER-ALLOY, 0.3mm THICKNESS
  - PLATING
    - CONTACT TERMINAL : TIN -PLATED
    - 1.0μm MINIMUM TIN PLATING
  - PRODUCT SPECIFICATION : PS-104188-001
  - PACKAGING SPECIFICATION : PK-104188-001
  - COPLANALITY OF SOLDER TAILS (PEAK TEMP. : 260°C), BEFORE & AFTER REFLOW : 0.08 MAX.
  - APPLICABLE WIRE RANGE :
    - (OUTSIDE WIRE INSULATION : 2.1mm DIAMETER MAX.)
    - SOLID WIRE : AWG #24~#18
    - STRAND WIRE : AWG #22~#20

PRELIMINARY REVISED EC NO: KOR2014-0075 DRWN: JSSHIN 2013/12/24 CHKD: SHCHU 2013/12/24 APPR: YSKIM02 2013/12/24	DESCRIPTION A	QUALITY SYMBOLS	GENERAL TOLERANCES (UNLESS SPECIFIED)	DIMENSION STYLE	SCALE	DESIGN UNITS	THIRD ANGLE PROJECTION
		$\nabla=0$ $\sphericalcap=0$	mm    INCH 4 PLACES ± --- ± --- 3 PLACES ± --- ± --- 2 PLACES ± 0.15 ± --- 1 PLACE ± 0.20 ± --- 0 PLACE ± --- ± ---	MM ONLY	7:1	METRIC	
		ANGULAR ± 1 ° DRAFT WHERE APPLICABLE MUST REMAIN WITHIN DIMENSIONS	DRAWN BY: JSSHIN    DATE: 2013/03/11 CHECKED BY: SHCHU    DATE: 2013/03/11 APPROVED BY: YSKIM02    DATE: 2013/12/24	TITLE	LITE-TRAP™ SMT CONNECTOR, 2 CIRCUITS		
			MATERIAL NO. 1041880210 DOCUMENT NO. SD-104188-003 SHEET NO. 1 OF 1				

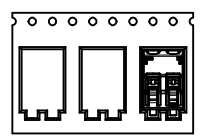
9 8 7 6 5 4 3 2 1



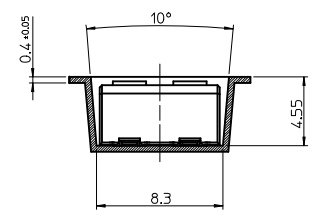
- QUANTITY OF CONNECTORS : 1500 PCS/REEL
- LEAD LENGTH
- PEELING OFF FORCE OF COVER TAPE : 0.1N~0.59N(10.2GF~60GF)  
(PEELING DIRECTION AS SHOW IN FOLLOW FIG.)  
PEELING OFF SPEED : 300mm/Min.(Ref.)
- FLASH IN ANY PORTION SHOULD BE LESS THAN 0.20mm MAX.
- UNLESS OTHERWISE SPECIFIED INNER R0.2 MAX

[TABLE]

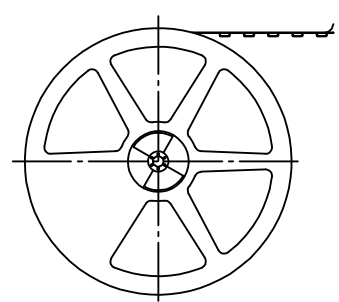
1041880210	104188-0210	NATURAL	24.0mm	104188-9002
MATERIAL NO.	NO.	COLOR	TAPE WIDTH	EMBOSS TAPE
	CONNECTOR			



PULL OUT DIRECTION



Section B-B

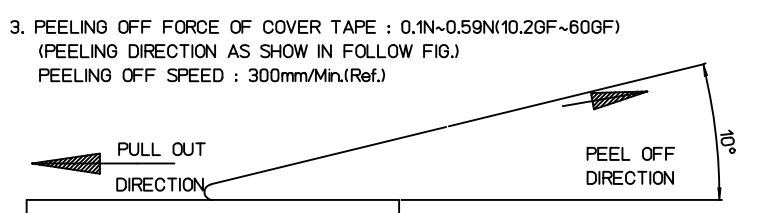
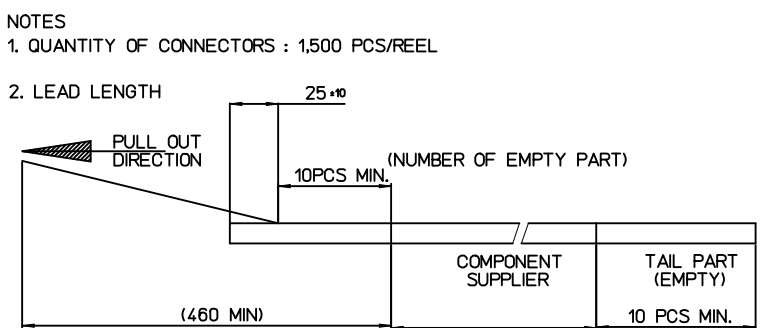
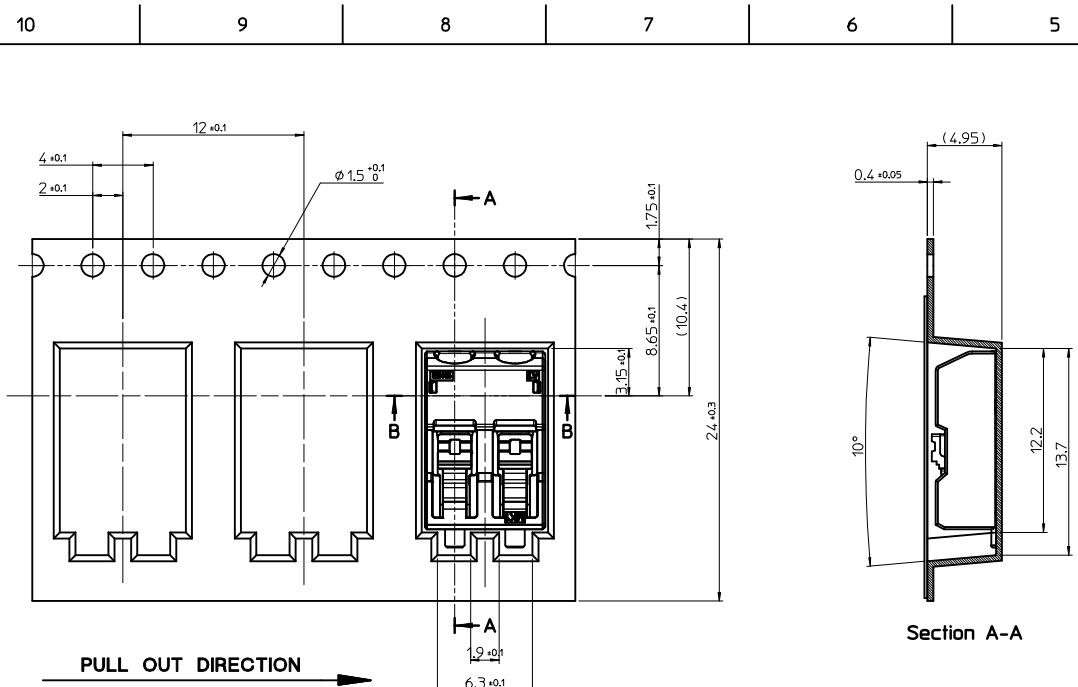


**PLASTIC BOBBIN**

<b>ENTER DESCRIPTION</b> EC NO: KOR2014-0075 DRWN: JSSHIN 2013/12/21 CHKD: SHCHU 2013/12/21 APPR: YSK1M02 2013/12/24	<b>QUALITY SYMBOLS</b> 	<b>GENERAL TOLERANCES (UNLESS SPECIFIED)</b>		<b>DIMENSION STYLE</b> MM ONLY	<b>SCALE</b> 3/1	<b>DESIGN UNITS</b> METRIC	THIRD ANGLE PROJECTION
		4 PLACES ± --- ± ---	3 PLACES ± --- ± ---	mm INCH	DRAWN BY DATE JSSHIN 2013/03/12	TITLE S-POKE CONN. -2P LITE-TRAP™ SMT CONN 2CKT EMBOSSED PACKAGE	
		2 PLACES ± 0.20 ± ---	1 PLACE ± 0.20 ± ---	0 PLACE ± --- ± ---	CHECKED BY DATE SHCHU 2013/03/12	APPROVED BY DATE YSK1M02 2013/12/24	
		ANGULAR ± 3 °		DRAFT WHERE APPLICABLE MUST REMAIN WITHIN DIMENSIONS	MATERIAL NO. 1041880210	DOCUMENT NO. SD-104188-004	SHEET NO. 1 OF 1



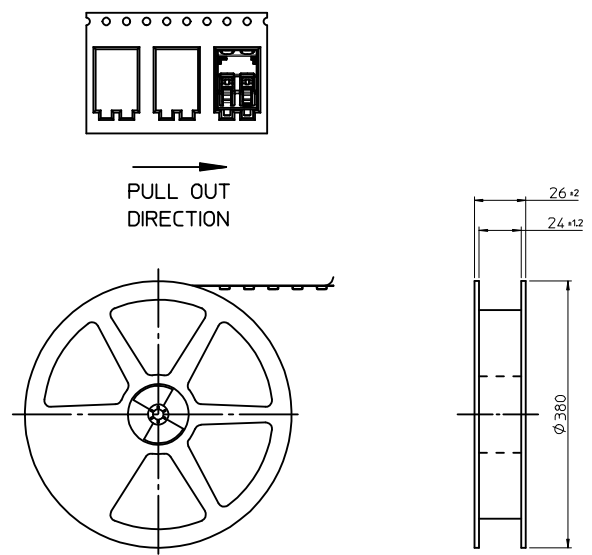
THIS DRAWING CONTAINS INFORMATION THAT IS PROPRIETARY TO MOLEX INCORPORATED AND SHOULD NOT BE USED WITHOUT WRITTEN PERMISSION



- QUANTITY OF CONNECTORS : 1500 PCS/REEL
- LEAD LENGTH
- PEELING OFF FORCE OF COVER TAPE : 0.1N~0.59N(10.2GF~60GF)  
(PEELING DIRECTION AS SHOW IN FOLLOW FIG.)  
PEELING OFF SPEED : 300mm/Min.(Ref.)
- FLASH IN ANY PORTION SHOULD BE LESS THAN 0.20mm MAX.
- UNLESS OTHERWISE SPECIFIED INNER R0.2 MAX

[TABLE]

1041880210	104188-0210	NATURAL	24.0mm	104188-9002
MATERIAL NO.	NO. CONNECTOR	COLOR	TAPE WIDTH	EMBOSS TAPE



**PLASTIC BOBBIN**

<b>ENTER DESCRIPTION</b> EC NO: KOR2014-0075 DRWN: JSSHIN 2013/12/21 CHKD: SHCHU 2013/12/21 APPR: YSK1M02 2013/12/24	<b>QUALITY SYMBOLS</b> 	<b>GENERAL TOLERANCES (UNLESS SPECIFIED)</b>		<b>DIMENSION STYLE</b> MM ONLY	<b>SCALE</b> 3/1	<b>DESIGN UNITS</b> METRIC	THIRD ANGLE PROJECTION		
		4 PLACES ± --- ± --- 3 PLACES ± --- ± --- 2 PLACES ± 0.20 ± --- 1 PLACE ± 0.20 ± --- 0 PLACE ± --- ± ---	mm INCH ± --- ± --- ± 0.20 ± --- ± 0.20 ± --- ± --- ± ---	DRAWN BY JSSHIN	DATE 2013/03/12	<b>TITLE</b> S-POKE CONN. -2P LITE-TRAP™ SMT CONN 2CKT EMBOSSED PACKAGE			
		DRAFT WHERE APPLICABLE MUST REMAIN WITHIN DIMENSIONS		CHECKED BY SHCHU	DATE 2013/03/12				
		<b>REV</b> A	<b>DESCRIPTION</b> A	APPROVED BY YSK1M02	DATE 2013/12/24	MATERIAL NO. 1041880210	DOCUMENT NO. SD-104188-004	SHEET NO. 1 OF 1	