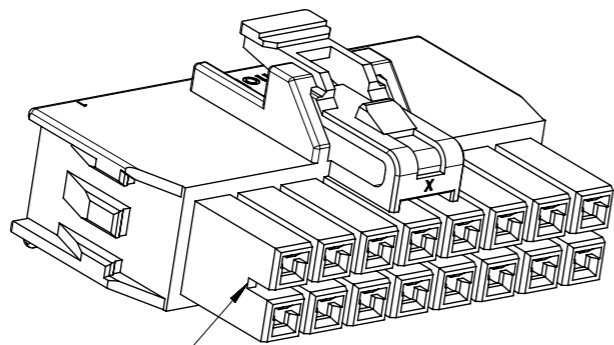


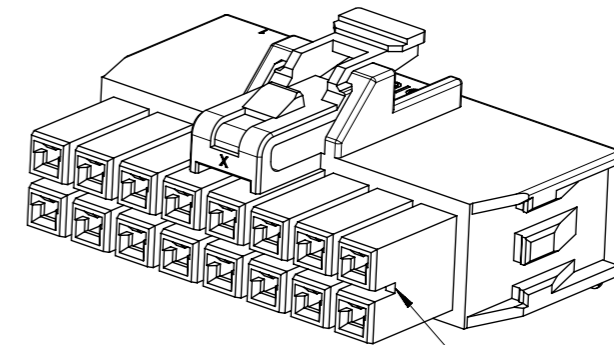
NOTES:

1. MATERIAL:  
 OPTION 1: PA4T, 30% GLASS FILLED, 94V-0, BLACK  
 OPTION 2: PA4T, 30 GLASS FILLED, 94V-0, NATUAL.
2. PRODUCT SPECIFICATION: PS-105300-100.
3. PACKAGE SPECIFICATION: PK-105308-100.
4. THE COMPONENT COMPLIANT TO RoHS DIRECTIVE 2011/65/EU AND ELV DIRECTIVE 2000/53/EC.
5. TO MATE WITH TERMINAL OF 105300-\*\*\*\*.  
 TO MATE WITH TPA OF 105325-\*\*\*\*.  
 TO MATE WITH HEADER OF 105310-\*\*\*\*, 105312-\*\*\*\* AND 105314-\*\*\*\*.
6. PARTS CONFORM TO CLASS 'B' REQUIREMENTS OF COSMETIC SPECIFICATION PS-45499-002.
7. APPLICATION SPECIFICATION: AS-105300-100.

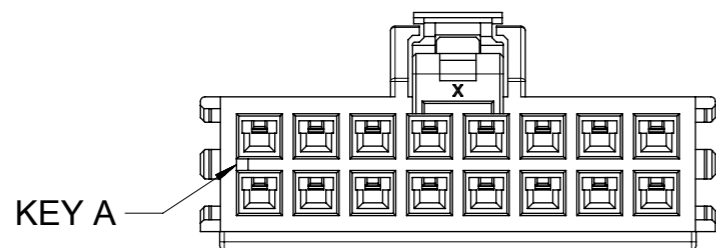
THIS DRAWING CONTAINS INFORMATION THAT IS PROPRIETARY TO MOLEX ELECTRONIC TECHNOLOGIES, LLC AND SHOULD NOT BE USED WITHOUT WRITTEN PERMISSION											
QUALITY SYMBOLS	2018/09/21 2019/04/17 2019/04/17	GENERAL TOLERANCES (UNLESS SPECIFIED)		DIMENSION UNITS	SCALE						
		ANGULAR TOL ± 3.0 °		mm	3:1						
▽A = 0	EC NO: 614394 DRWN: GLLI CHK'D: AYIN APPR: AYIN	4 PLACES ±	DATE	GLLI		2014/08/13		RECEPTACLE OF NANO-FIT, D/R, TPA POWER CONNECTOR			
▽E = 0		3 PLACES ±		CHK'D BY		DATE					
▽B = 0		2 PLACES ± 0.2	APPR BY		DATE		PRODUCT CUSTOMER DRAWING				
▼ = 0		1 PLACE ± 0.3	AYIN		2015/04/08						
▽C = 0		0 PLACES ±	DRAWING SIZE	THIRD ANGLE PROJECTION			SERIES	MATERIAL NUMBER	CUSTOMER		
⊗ = 0		DRAFT WHERE APPLICABLE MUST REMAIN WITHIN DIMENSIONS	A3				105308	SEE SHEET 4	GENERAL MARKET		
■ = 0						DOCUMENT NUMBER	DOC TYPE	DOC PART	SHEET NUMBER		
▽ = 0						SD-105308-100	PSD	000	1 OF 4		



KEY A

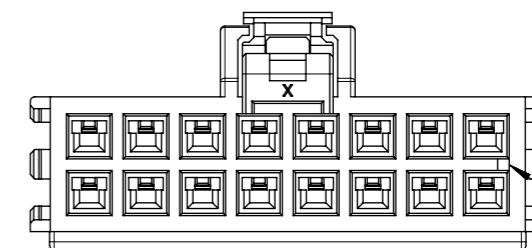


KEY B



KEY A

BLACK



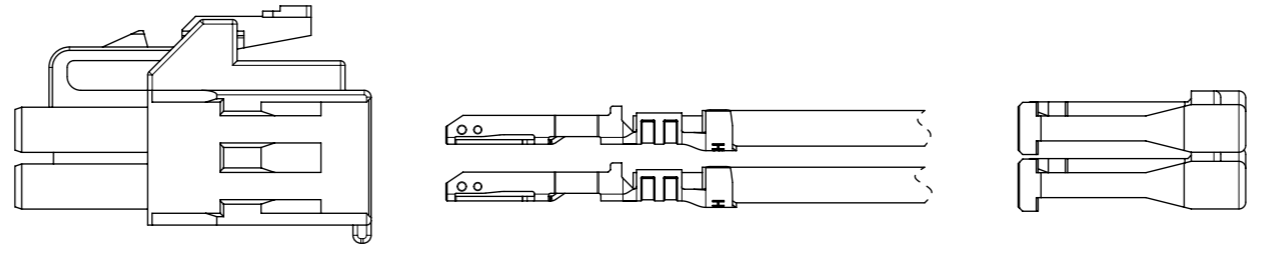
KEY B

NATURAL

COLOR OPTION

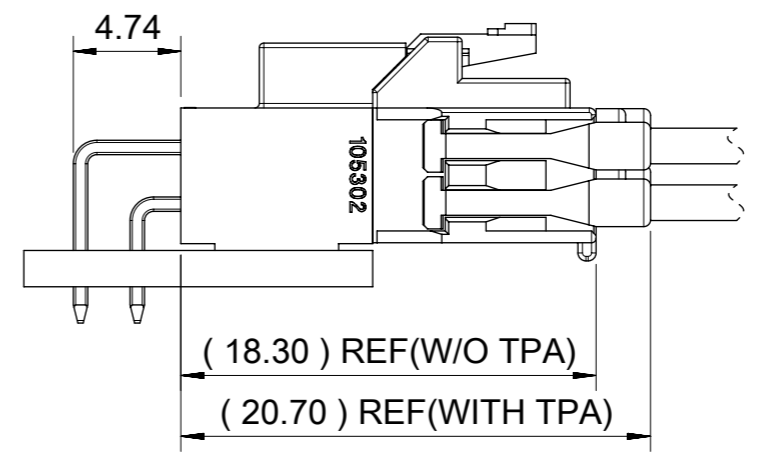
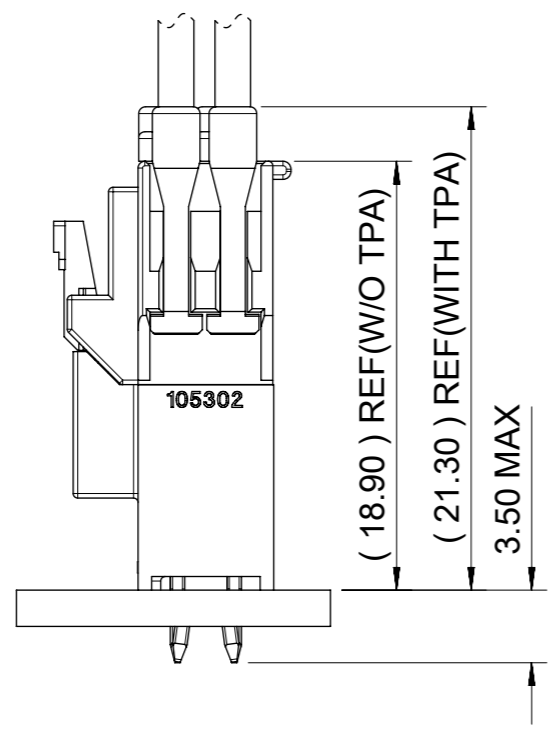
<b>QUALITY SYMBOLS</b> 	THIS DRAWING CONTAINS INFORMATION THAT IS PROPRIETARY TO MOLEX ELECTRONIC TECHNOLOGIES, LLC AND SHOULD NOT BE USED WITHOUT WRITTEN PERMISSION											
	EC NO: 614394 DRWN: GLLI CHK'D: AYIN APPR: AYIN	2018/09/21	2019/04/17	GENERAL TOLERANCES (UNLESS SPECIFIED)		DIMENSION UNITS	SCALE					
				ANGULAR TOL ± 3.0 °		mm	3:1					
				4 PLACES ±	DRWN BY		DATE		RECEPTACLE OF NANO-FIT, D/R, TPA POWER CONNECTOR			
				3 PLACES ±	GLLI		2014/08/13					
			2 PLACES ± 0.2	CHK'D BY		DATE		PRODUCT CUSTOMER DRAWING				
			1 PLACE ± 0.3	AYIN		2015/04/08						
			0 PLACES ±	DRAFT WHERE APPLICABLE MUST REMAIN WITHIN DIMENSIONS		DRAWING SIZE	THIRD ANGLE PROJECTION	SERIES	MATERIAL NUMBER	CUSTOMER		
						A3		105308	SEE SHEET 4	GENERAL MARKET		
								DOCUMENT NUMBER		DOC TYPE	DOC PART	SHEET NUMBER
							SD-105308-100		PSD	000	2 OF 4	

E



←  
TERMINAL AND TPA ORIENTATION

D

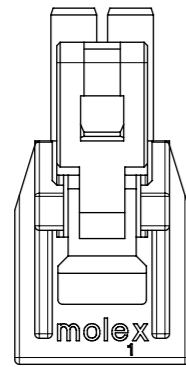


C

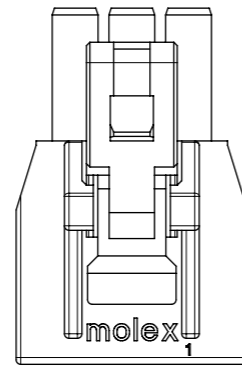
B

A

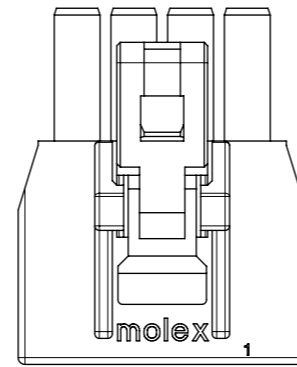
<b>QUALITY SYMBOLS</b> ▽A = 0 ▽E = 0 ▽F = 0 ▼ = 0 ▽C = 0 ⊗ = 0 ■ = 0 ▽ = 0	THIS DRAWING CONTAINS INFORMATION THAT IS PROPRIETARY TO MOLEX ELECTRONIC TECHNOLOGIES, LLC AND SHOULD NOT BE USED WITHOUT WRITTEN PERMISSION										
	2018/09/21	GENERAL TOLERANCES (UNLESS SPECIFIED)		DIMENSION UNITS		SCALE					
	2019/04/17	ANGULAR TOL ± 3.0 °		mm		3:1					
	2019/04/17	4 PLACES ±		DRWN BY		DATE		RECEPTACLE OF NANO-FIT, D/R, TPA POWER CONNECTOR			
		3 PLACES ±		GLLI		2014/08/13					
		2 PLACES ± 0.2		CHK'D BY		DATE		PRODUCT CUSTOMER DRAWING			
		1 PLACE ± 0.3		APPR BY		DATE					
		0 PLACES ±		AYIN		2015/04/08		SERIES	MATERIAL NUMBER	CUSTOMER	
		DRAFT WHERE APPLICABLE MUST REMAIN WITHIN DIMENSIONS		DRAWING SIZE		THIRD ANGLE PROJECTION		105308	SEE SHEET 4	GENERAL MARKET	
				A3				DOCUMENT NUMBER		DOC TYPE	DOC PART
							SD-105308-100		PSD	000	3 OF 4



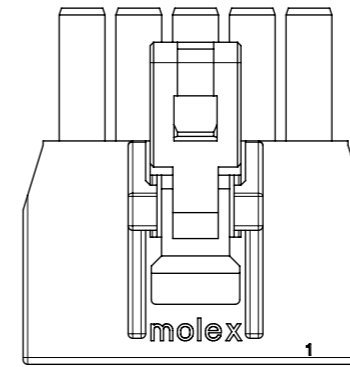
4 CKT



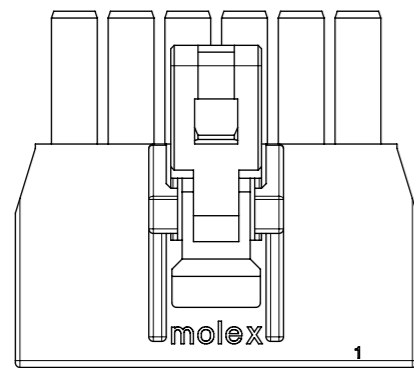
6 CKT



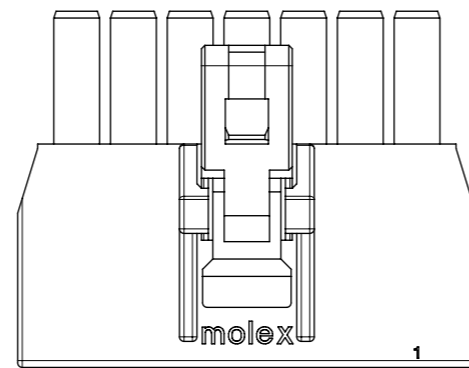
8 CKT



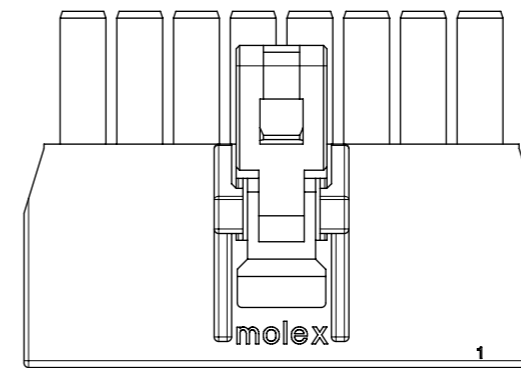
10 CKT



12 CKT



14 CKT



16 CKT

WITH TPA FEATURE			
PART No	DIM 'A'	CKT SIZE	COLOR
105308-1204	7.70	4	BLACK (KEY A)
105308-1206	10.20	6	
105308-1208	12.70	8	
105308-1210	15.20	10	
105308-1212	17.70	12	
105308-1214	20.20	14	
105308-2204	7.70	4	NATURAL (KEY B)
105308-2206	10.20	6	
105308-2208	12.70	8	
105308-2210	15.20	10	
105308-2212	17.70	12	
105308-2214	20.20	14	
105308-2216	22.70	16	

105308- \* \* \* \*

CIRCUIT SIZE

TPA OPTION: 1 - STANDARD  
2 - WITH TPA

COLOR OPTION: 1 - BLACK  
2 - NATURAL

<b>QUALITY SYMBOLS</b> ▽A = 0 ▽E = 0 ▽F = 0 ▼ = 0 ▽C = 0 ⊗ = 0 ■ = 0 ▽ = 0				THIS DRAWING CONTAINS INFORMATION THAT IS PROPRIETARY TO MOLEX ELECTRONIC TECHNOLOGIES, LLC AND SHOULD NOT BE USED WITHOUT WRITTEN PERMISSION				DIMENSION UNITS: mm SCALE: 3:1			
EC NO: 614394 DRWN: GLLI CHK'D: AYIN REV APPR: AYIN		GENERAL TOLERANCES (UNLESS SPECIFIED) ANGULAR TOL ± 3.0 ° 4 PLACES ± 3 PLACES ± 2 PLACES ± 0.2 1 PLACE ± 0.3 0 PLACES ±		DRWN BY: GLLI DATE: 2014/08/13 CHK'D BY: AYIN DATE: 2015/04/08		PRODUCT CUSTOMER DRAWING SERIES: 105308 MATERIAL NUMBER: SEE CHART CUSTOMER: GENERAL MARKET					
DRAFT WHERE APPLICABLE MUST REMAIN WITHIN DIMENSIONS		A3		THIRD ANGLE PROJECTION		DOCUMENT NUMBER: SD-105308-100 DOC TYPE: PSD DOC PART: 000 SHEET NUMBER: 4 OF 4					