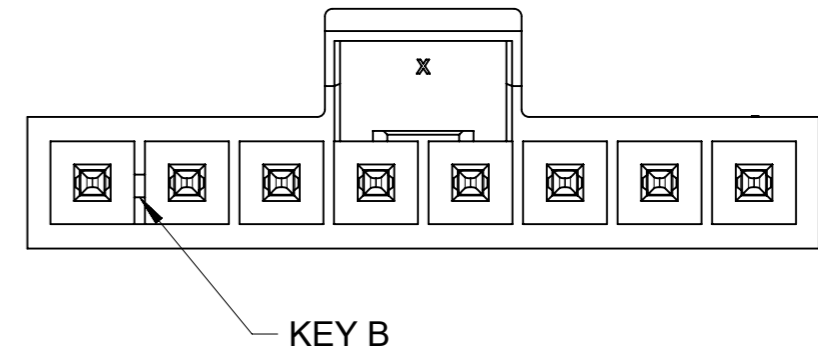
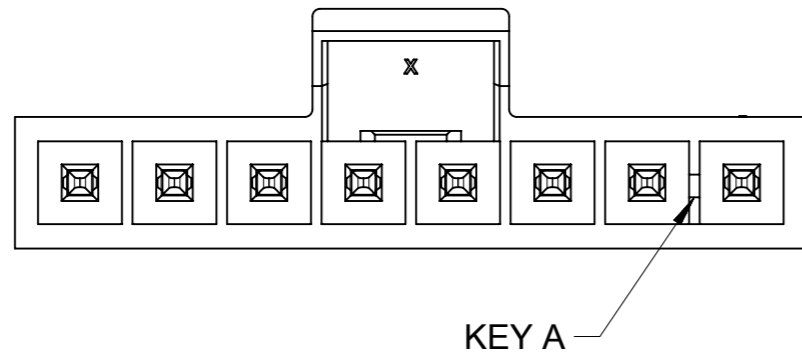
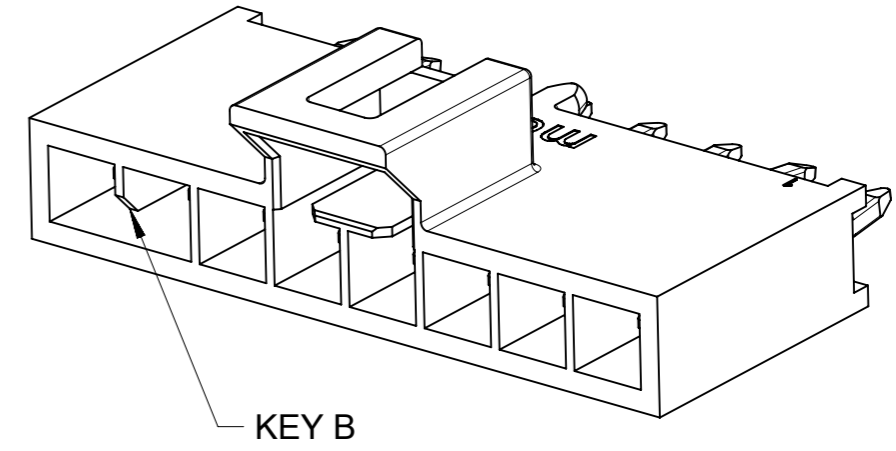
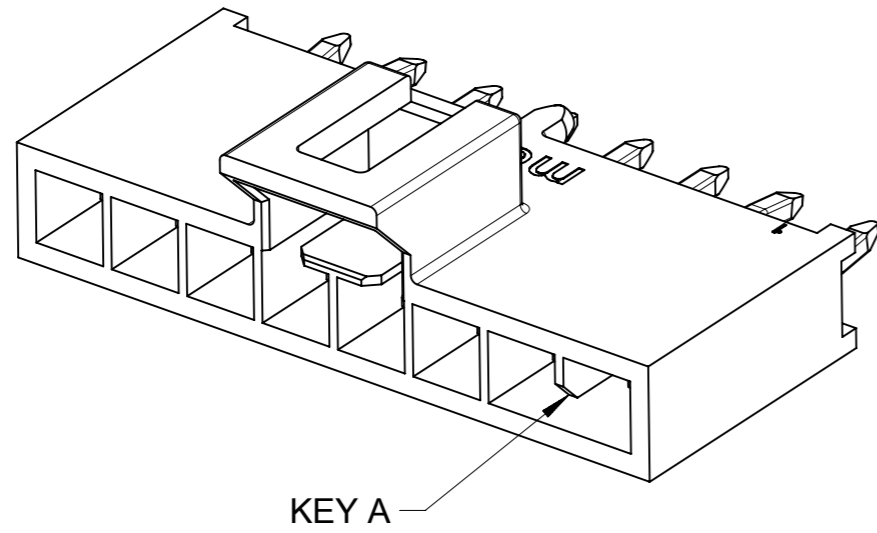


ONLY FOR CKT 3, 5, 7  
OTHER DIMENSIONS REFER TO LEFT VIEWS.

RECOMMENDED PCB(CONNECTOR SIDE VIEW)  
THICKNESS= 1.6 TO 2.4 MM.

<b>QUALITY SYMBOLS</b> FA = 0 FE = 0 FB = 0 FV = 0 FC = 0 FX = 0 FZ = 0 F1 = 0 F2 = 0	THIS DRAWING CONTAINS INFORMATION THAT IS PROPRIETARY TO MOLEX ELECTRONIC TECHNOLOGIES, LLC AND SHOULD NOT BE USED WITHOUT WRITTEN PERMISSION									
	2019/10/10	2019/10/10	2019/10/10	GENERAL TOLERANCES (UNLESS SPECIFIED)		DIMENSION UNITS	SCALE			
	DRWN: GLLI	CHK'D: YXZHENG	APPR: YXZHENG	ANGULAR TOL ± 3.0 °		mm	5:1			
	EC NO: 625433 DRWN: GLLI CHK'D: YXZHENG APPR: YXZHENG	4 PLACES	±	DRWN BY		DATE		HEADER OF NANO-FIT, S/R, VERTICAL, KINK POWER CONNECTOR		
		3 PLACES	± 0.1	GLLI		2014/07/14				
		2 PLACES	± 0.2	CHK'D BY		DATE		PRODUCT CUSTOMER DRAWING		
		1 PLACE	± 0.3	AYIN		2015/04/08				
		0 PLACES	±	APPR BY		DATE		SERIES	MATERIAL NUMBER	CUSTOMER
	DRAFT WHERE APPLICABLE MUST REMAIN WITHIN DIMENSIONS		DRAWING SIZE		THIRD ANGLE PROJECTION		105309	SEE SHEET 2	GENERAL MARKET	
			A3				DOCUMENT NUMBER	DOC TYPE	DOC PART	SHEET NUMBER
						SD-105309-100	PSD	000	1 OF 5	



BLACK

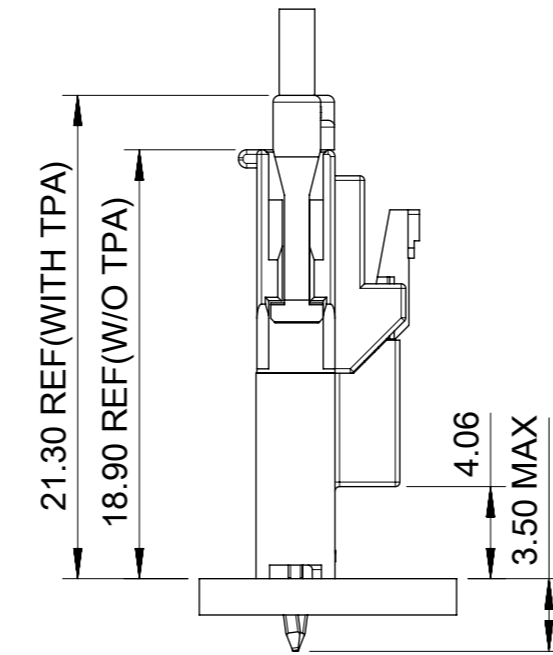
NATURAL

COLOR OPTION

SYMBOLS										THIS DRAWING CONTAINS INFORMATION THAT IS PROPRIETARY TO MOLEX ELECTRONIC TECHNOLOGIES, LLC AND SHOULD NOT BE USED WITHOUT WRITTEN PERMISSION													
DIMENSION UNITS		SCALE		CURRENT REV DESC:																			
mm				EC NO: 625433 DRWN: GLLI 2019/10/10 CHK'D: YXZHENG 2019/10/10 APPR: YXZHENG 2019/10/10																			
GENERAL TOLERANCES (UNLESS SPECIFIED)										INITIAL REVISION:										DOCUMENT NUMBER <b>SD-105309-100</b>			
ANGULAR TOL		± 3.0°		DRWN: GLLI 2015/05/28 APPR: AYIN 2016/04/27										DOC TYPE		DOC PART		REVISION					
4 PLACES		±												PSD		000		G					
3 PLACES		± 0.1																					
2 PLACES		± 0.2																					
1 PLACE		± 0.3																					
0 PLACES		±																					
DRAFT WHERE APPLICABLE MUST REMAIN WITHIN DIMENSIONS										THIRD ANGLE PROJECTION		DRAWING		SERIES		MATERIAL NUMBER		CUSTOMER		SHEET NUMBER			
												A3-SIZE		105309		GENERAL MARKET		2 OF 5					

PART NUMBER	DIM 'A'	DIM 'B'	CKT SIZE	PLATING	LUBE
105309-1102	5.94	2.50	2	TIN	
105309-1103	8.44	5.00	3		
105309-1104	10.94	7.50	4		
105309-1105	13.44	10.00	5		
105309-1106	15.94	12.50	6		
105309-1107	18.44	15.00	7		
105309-1108	20.94	17.50	8		
105309-1202	5.94	2.50	2		
105309-1203	8.44	5.00	3		
105309-1204	10.94	7.50	4		
105309-1205	13.44	10.00	5		
105309-1206	15.94	12.50	6		
105309-1207	18.44	15.00	7		
105309-1208	20.94	17.50	8		
105309-1302	5.94	2.50	2	GOLD 0.76	
105309-1303	8.44	5.00	3		
105309-1304	10.94	7.50	4		
105309-1305	13.44	10.00	5		
105309-1306	15.94	12.50	6		
105309-1307	18.44	15.00	7		
105309-1308	20.94	17.50	8		
105309-1402	5.94	2.50	2		
105309-1403	8.44	5.00	3		
105309-1404	10.94	7.50	4		
105309-1405	13.44	10.00	5		
105309-1406	15.94	12.50	6		
105309-1407	18.44	15.00	7		
105309-1408	20.94	17.50	8		

COLOR: BLACK



105309- \* \* \* \*  
 \* CIRCUIT SIZE  
 \* PLATING OPTION  
 1 - TIN  
 2 - GOLD 0.38  
 3 - GOLD 0.76  
 4 - GOLD AND LUBE  
 \* COLOR OPTION  
 1 - BLACK  
 2 - NATURAL

PART NUMBER	DIM 'A'	DIM 'B'	CKT SIZE	PLATING	LUBE
105309-2102	5.94	2.50	2	TIN	
105309-2103	8.44	5.00	3		
105309-2104	10.94	7.50	4		
105309-2105	13.44	10.00	5		
105309-2106	15.94	12.50	6		
105309-2107	18.44	15.00	7		
105309-2108	20.94	17.50	8		
105309-2202	5.94	2.50	2		
105309-2203	8.44	5.00	3		
105309-2204	10.94	7.50	4		
105309-2205	13.44	10.00	5		
105309-2206	15.94	12.50	6		
105309-2207	18.44	15.00	7		
105309-2208	20.94	17.50	8		
105309-2302	5.94	2.50	2	GOLD 0.76	
105309-2303	8.44	5.00	3		
105309-2304	10.94	7.50	4		
105309-2305	13.44	10.00	5		
105309-2306	15.94	12.50	6		
105309-2307	18.44	15.00	7		
105309-2308	20.94	17.50	8		
105309-2402	5.94	2.50	2		
105309-2403	8.44	5.00	3		
105309-2404	10.94	7.50	4		
105309-2405	13.44	10.00	5		
105309-2406	15.94	12.50	6		
105309-2407	18.44	15.00	7		
105309-2408	20.94	17.50	8		

COLOR: NATURAL

THIS DRAWING CONTAINS INFORMATION THAT IS PROPRIETARY TO MOLEX ELECTRONIC TECHNOLOGIES, LLC AND SHOULD NOT BE USED WITHOUT WRITTEN PERMISSION													
<b>QUALITY SYMBOLS</b> 	EC NO: 625433 DRWN: GLLI CHK'D: YXZHENG APPR: YXZHENG	<b>GENERAL TOLERANCES (UNLESS SPECIFIED)</b> ANGULAR TOL ± 3.0 ° 4 PLACES ± 3 PLACES ± 0.1 2 PLACES ± 0.2 1 PLACE ± 0.3 0 PLACES ±		DIMENSION UNITS <b>mm</b>	SCALE <b>3:1</b>	 <b>HEADER OF NANO-FIT, S/R, VERTICAL, KINK POWER CONNECTOR</b>							
		DRWN BY: GLLI DATE: 2019/10/10		DRWN BY: GLLI DATE: 2014/07/14									
		EC NO: 625433 DRWN: GLLI CHK'D: YXZHENG APPR: YXZHENG		DRWN BY: GLLI DATE: 2019/10/10		DRWN BY: GLLI DATE: 2014/07/14		<b>PRODUCT CUSTOMER DRAWING</b>					
		EC NO: 625433 DRWN: GLLI CHK'D: YXZHENG APPR: YXZHENG		DRWN BY: GLLI DATE: 2019/10/10		DRWN BY: GLLI DATE: 2014/07/14		SERIES <b>105309</b>	MATERIAL NUMBER <b>SEE CHART</b>	CUSTOMER <b>GENERAL MARKET</b>			
EC NO: 625433 DRWN: GLLI CHK'D: YXZHENG APPR: YXZHENG		DRWN BY: GLLI DATE: 2019/10/10		DRWN BY: GLLI DATE: 2014/07/14		DOCUMENT NUMBER <b>SD-105309-100</b>		DOC TYPE <b>PSD</b>	DOC PART <b>000</b>	SHEET NUMBER <b>3 OF 5</b>			

		2 CKT	3 CKT	4 CKT	5 CKT
E	BLACK				
D	NATURAL				
		6 CKT	7 CKT	8 CKT	
C	BLACK				
B	NATURAL				

THIS DRAWING CONTAINS INFORMATION THAT IS PROPRIETARY TO MOLEX ELECTRONIC TECHNOLOGIES, LLC AND SHOULD NOT BE USED WITHOUT WRITTEN PERMISSION																	
<b>QUALITY SYMBOLS</b> = 0 = 0 = 0 = 0 = 0 = 0 = 0 = 0		EC NO: 625433 DRWN: GLLI CHK'D: YXZHENG APPR: YXZHENG		<b>GENERAL TOLERANCES (UNLESS SPECIFIED)</b> ANGULAR TOL ± 3.0 ° 4 PLACES ± 3 PLACES ± 0.1 2 PLACES ± 0.2 1 PLACE ± 0.3 0 PLACES ±		<b>DIMENSION UNITS</b> mm		<b>SCALE</b> 3:1									
2019/10/10 2019/10/10 2019/10/10		DRAFT WHERE APPLICABLE MUST REMAIN WITHIN DIMENSIONS		<b>DRWN BY</b> GLLI		<b>DATE</b> 2014/07/14		<b>HEADER OF NANO-FIT, S/R, VERTICAL, KINK            POWER CONNECTOR</b>									
<b>REV</b> G		<b>APPR BY</b> AYIN		<b>DATE</b> 2015/04/08		<b>PRODUCT CUSTOMER DRAWING</b>				<b>SERIES</b> 105309		<b>MATERIAL NUMBER</b> SEE SHEET 2					
<b>RELEASE STATUS</b> P1		<b>RELEASE DATE</b> 2019/10/10 06:03:09		<b>DRAWING SIZE</b> A3		<b>THIRD ANGLE PROJECTION</b> 		<b>CUSTOMER</b> GENERAL MARKET		<b>DOCUMENT NUMBER</b> SD-105309-100		<b>DOC TYPE</b> PSD		<b>DOC PART</b> 000		<b>SHEET NUMBER</b> 4 OF 5	

NOTES FOR ALL PARTS

1> MATERIAL:  
HOUSING: LCP 30% GF, UL 94V-0; TERMINAL: BRASS.

2> PLATING FINISHED:  
TERMINAL:  
CONTACT AREA: a. REFLOWED MATTE TIN 1.5MICRONS MIN;  
b. GOLD 0.38 MICRONS MIN;  
c. GOLD 0.76 MICRONS MIN.  
SOLDER AREA: TIN 1.5 MICRONS MIN, UNDER PLATING NICKEL 1.25 MICRONS MIN.  
SOLDER CLIP: TIN 2.5 MICRONS MIN, UNDER PLATING NICKEL 1.25 MICRONS MIN.

3> PRODUCT SPECIFICATION: PS-105300-100.

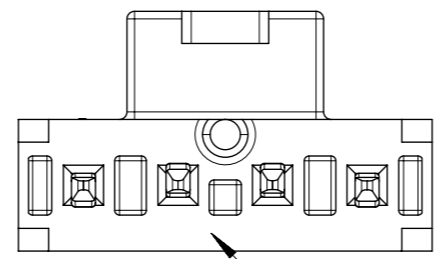
4> PACKAGE: TRAY, PK-105309-300.

5> ALL COMPONENTS AND PRODUCT COMPLIANT TO RoHS DIRECTIVE 2011/65/EU AND ELV DIRECTIVE 2000/53/EC.

6> PRODUCT MATE WITH SERIES OF 105308(RECEPTACLE), 105300(CRIMP TERMINAL).

7> PARTS CONFORM TO CLASS 'B'REQUIREMENTS OF COSMETIC SPECIFICATION PS-45499-002.

8> DISCOLORATION IN THE BANDOLIER PIN CARRIER AREA OF THE PIN IS INHERENT TO THE PLATING PROCESS AND IS DUE TO THE MASKING DEFECT OF THE CARRIER, THIS DISCOLORATION IS IN A NON-FUNCTION AREA OF THE PIN AND WILL NOT AFFECT THE PERFORMANCE OF THE HEADER ASSEMBLY.



IF ANY NUMBER MARK APPEARS ON THIS SURFACE, PLEASE DISREGARD IT, IT IS NO ANY FUCTION AND NO ANY RELATION TO PIN NUMBER, IT IS JUST FOR MOLDING IDENDIFICATION.

<b>QUALITY SYMBOLS</b> ▽A = 0 ▽E = 0 ▽F = 0 ▼ = 0 ▽C = 0 ⊗ = 0 ■ = 0 ▽ = 0	THIS DRAWING CONTAINS INFORMATION THAT IS PROPRIETARY TO MOLEX ELECTRONIC TECHNOLOGIES, LLC AND SHOULD NOT BE USED WITHOUT WRITTEN PERMISSION											
	EC NO: 625433 DRWN: GLLI CHK'D: YXZHENG APPR: YXZHENG	2019/10/10		2019/10/10		2019/10/10		GENERAL TOLERANCES (UNLESS SPECIFIED) ANGULAR TOL ± 3.0 °		DIMENSION UNITS: mm SCALE:		
		4 PLACES		±		3 PLACES		± 0.1		DRWN BY: GLLI DATE: 2015/05/28		
		3 PLACES		±		2 PLACES		± 0.2		CHK'D BY: AYIN DATE: 2016/04/27		
		2 PLACES		±		1 PLACE		± 0.3		APPR BY: AYIN DATE: 2016/04/27		
		1 PLACE		±		0 PLACES		±		DRAWING SIZE: A3 THIRD ANGLE PROJECTION:		
	DRAFT WHERE APPLICABLE MUST REMAIN WITHIN DIMENSIONS											
	G		REV		YXZHENG		YXZHENG		YXZHENG		DIMENSION UNITS: mm SCALE:	
	G		REV		YXZHENG		YXZHENG		YXZHENG		DIMENSION UNITS: mm SCALE:	
	G		REV		YXZHENG		YXZHENG		YXZHENG		DIMENSION UNITS: mm SCALE:	
G		REV		YXZHENG		YXZHENG		YXZHENG		DIMENSION UNITS: mm SCALE:		



HEADER OF NANO-FIT, S/R, VERTICAL, KINK POWER CONNECTOR

PRODUCT CUSTOMER DRAWING

SERIES	MATERIAL NUMBER	CUSTOMER
105309	SEE SHEET 2	GENERAL MARKET
DOCUMENT NUMBER	DOC TYPE	DOC PART
SD-105309-100	PSD	000
SHEET NUMBER		5 OF 5