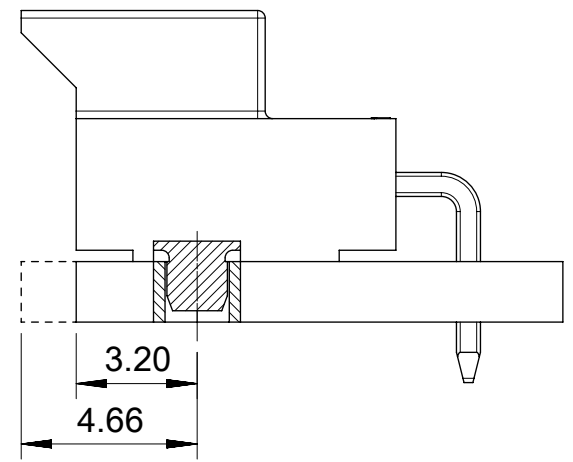
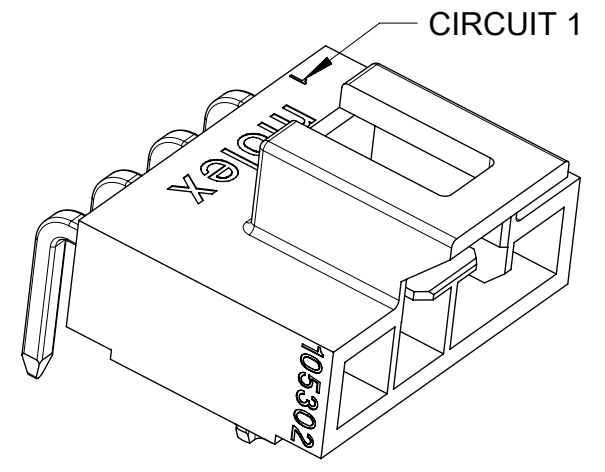


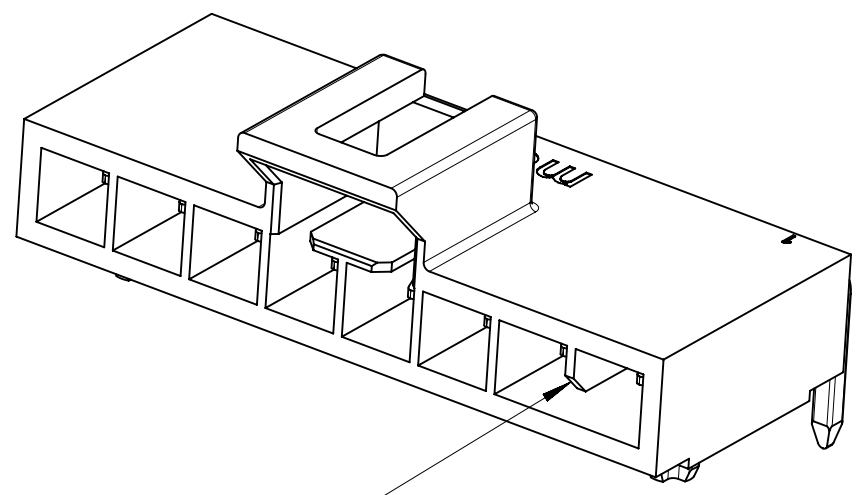
RECOMMENDED PCB(CONNECTOR SIDE VIEW) THICKNESS=1.6 TO 2.4 MM.



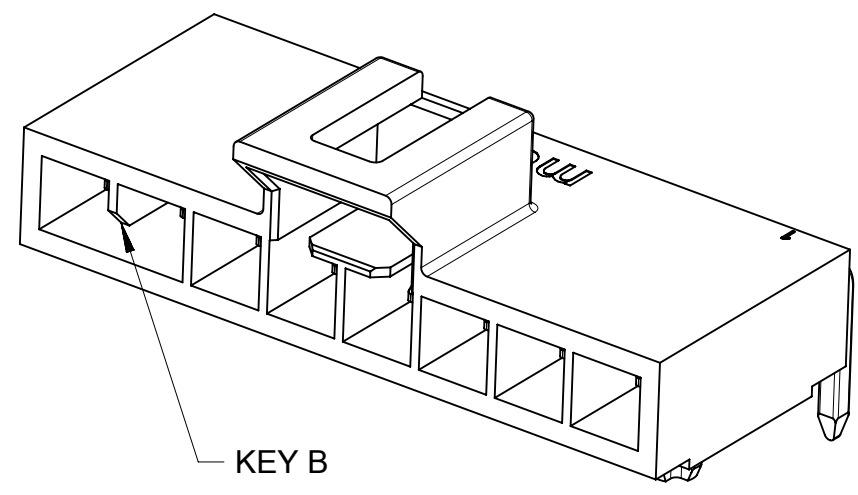
OPTION 1: LATCH FLUSH WITH PCB EDGE.
OPTION 2: HOUSING BODY FLUSH WITH PCB EDGE.

SYMBOLS	THIS DRAWING CONTAINS INFORMATION THAT IS PROPRIETARY TO MOLEX ELECTRONIC TECHNOLOGIES, LLC AND SHOULD NOT BE USED WITHOUT WRITTEN PERMISSION		CURRENT REV DESC:			molex			
	DIMENSION UNITS	SCALE							EC NO: 625433
▽ = 0	mm	NTS	DRWN: GLLI	2019/10/10		PRODUCT CUSTOMER DRAWING			
▽ = 0	GENERAL TOLERANCES (UNLESS SPECIFIED)		CHK'D: YXZHENG	2019/10/10		DOCUMENT NUMBER	DOC TYPE	DOC PART	REVISION
▽ = 0	ANGULAR TOL ± 3.0°		APPR: YXZHENG	2019/10/10		SD-105313-100	PSD	000	G
▽ = 0	4 PLACES ±		INITIAL REVISION:			MATERIAL NUMBER			
▽ = 0	3 PLACES ± 0.1		DRWN: GLLI			CUSTOMER			
▽ = 0	2 PLACES ± 0.2		APPR: AYIN			GENERAL MARKET			
▽ = 0	1 PLACE ± 0.3		THIRD ANGLE PROJECTION			SHEET NUMBER			
▽ = 0	0 PLACES ±		DRAWING			1 OF 5			
□ = 0	DRAFT WHERE APPLICABLE MUST REMAIN WITHIN DIMENSIONS		SERIES						
▽ = 0			A3-SIZE						

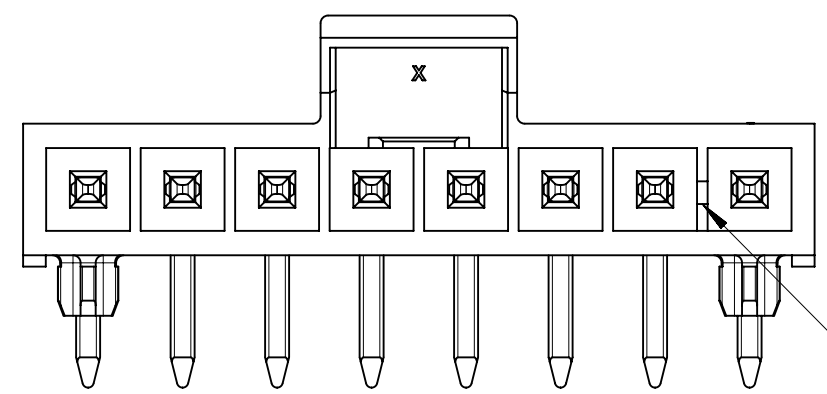
9 8 7 6 5 4 3 2 1



KEY A

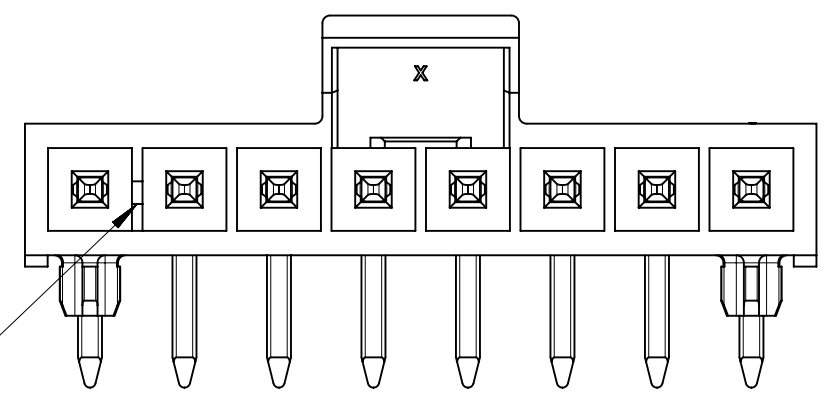


KEY B



KEY A

BLACK



KEY B

NATURAL

COLOR OPTION

THIS DRAWING CONTAINS INFORMATION THAT IS PROPRIETARY TO MOLEX ELECTRONIC TECHNOLOGIES, LLC AND SHOULD NOT BE USED WITHOUT WRITTEN PERMISSION											
SYMBOLS	DIMENSION UNITS	SCALE	CURRENT REV DESC:						molex		
	mm	NTS									
▽ = 0	GENERAL TOLERANCES (UNLESS SPECIFIED)		EC NO: 625433						HEADER OF NANO-FIT, S/R, R/A POWER CONNECTOR		
▽ = 0	ANGULAR TOL ± 3.0°		DRWN: GLLI 2019/10/10						PRODUCT CUSTOMER DRAWING		
▽ = 0	4 PLACES ±		CHK'D: YXZHENG 2019/10/10						DOCUMENT NUMBER		
▽ = 0	3 PLACES ± 0.1		APPR: YXZHENG 2019/10/10						SD-105313-100		
▽ = 0	2 PLACES ± 0.2		INITIAL REVISION:						DOC TYPE		
▽ = 0	1 PLACE ± 0.3		DRWN: GLLI 2015/05/29						PSD		
▽ = 0	0 PLACES ±		APPR: AYIN 2016/04/27						DOC PART		
□ = 0	DRAFT WHERE APPLICABLE MUST REMAIN WITHIN DIMENSIONS		THIRD ANGLE PROJECTION		DRAWING	SERIES	MATERIAL NUMBER	CUSTOMER	REVISION		
▽ = 0			A3-SIZE		105313		GENERAL MARKET	000 G			
										SHEET NUMBER	
										2 OF 5	

DOCUMENT STATUS	P1	RELEASE DATE	2019/10/10	06:03:12
-----------------	----	--------------	------------	----------

9 8 7 6 5 4 3 2 1

		2 CKT	3 CKT	4 CKT	5 CKT
F	BLACK				
E	NATURAL				
		6 CKT	7 CKT	8 CKT	
D	BLACK				
C	NATURAL				
B					

SYMBOLS = 0 = 0 = 0 = 0 = 0 = 0 = 0 = 0 = 0 = 0	THIS DRAWING CONTAINS INFORMATION THAT IS PROPRIETARY TO MOLEX ELECTRONIC TECHNOLOGIES, LLC AND SHOULD NOT BE USED WITHOUT WRITTEN PERMISSION DIMENSION UNITS: mm SCALE: NTS GENERAL TOLERANCES (UNLESS SPECIFIED) ANGULAR TOL ± 3.0°	CURRENT REV DESC: EC NO: 625433 DRWN: GLLI 2019/10/10 CHK'D: YXZHENG 2019/10/10 APPR: YXZHENG 2019/10/10	 HEADER OF NANO-FIT, S/R, R/A POWER CONNECTOR		
	4 PLACES ± 3 PLACES ± 0.1 2 PLACES ± 0.2 1 PLACE ± 0.3 0 PLACES ±	INITIAL REVISION: DRWN: GLLI 2015/05/29 APPR: AYIN 2016/04/27			
	DRAFT WHERE APPLICABLE MUST REMAIN WITHIN DIMENSIONS	THIRD ANGLE PROJECTION 	DRAWING: A3-SIZE SERIES: 105313	DOCUMENT NUMBER: SD-105313-100 DOC TYPE: PSD DOC PART: 000 REVISION: G	MATERIAL NUMBER: GENERAL MARKET CUSTOMER: GENERAL MARKET SHEET NUMBER: 4 OF 5

NOTES FOR ALL PARTS

1> MATERIAL:
HOUSING: LCP, UL 94V-0; TERMINAL: BRASS.

2> PLATING FINISHED:
TERMINAL:
CONTACT AREA: a. REFLOWED MATTE TIN 1.5MICRONS MIN;
b. GOLD 0.38 MICRONS MIN;
c. GOLD 0.76 MICRONS MIN.

SOLDER AREA: TIN 1.5 MICRONS MIN, UNDER PLATING NICKEL 1.25 MICRONS MIN.

SOLDER CLIP: TIN 2.5 MICRONS MIN, UNDER PLATING NICKEL 1.25 MICRONS MIN.

3> PRODUCT SPECIFICATION: PS-105300-100.

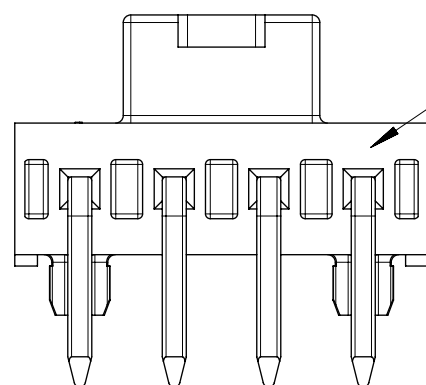
4> PACKAGE: TRAY, PK-105309-400.

5> ALL COMPONENTS AND PRODUCT COMPLIANT TO RoHS DIRECTIVE 2011/65/EU AND ELV DIRECTIVE 2000/53/EC.

6> PRODUCT MATE WITH SERIES OF 105308(RECEPTACLE), 105300(CRIMP TERMINAL).

7> PARTS CONFORM TO CLASS 'B'REQUIREMENTS OF COSMETIC SPECIFICATION PS-45499-002.

8> DISCOLORATION IN THE BANDOLIER PIN CARRIER AREA OF THE PIN IS INHERENT TO THE PLATING PROCESS AND IS DUE TO THE MASKING DEFECT OF THE CARRIER, THIS DISCOLORATION IS IN A NON-FUNCTION AREA OF THE PIN AND WILL NOT AFFECT THE PERFORMANCE OF THE HEADER ASSEMBLY.



IF ANY NUMBER MARK APPEARS ON THIS SURFACE, PLEASE DISREGARD IT, IT IS NO ANY FUCTION AND NO ANY RELATION TO PIN NUMBER, IT IS JUST FOR MOLDING IDENTIFICATION.

SYMBOLS	THIS DRAWING CONTAINS INFORMATION THAT IS PROPRIETARY TO MOLEX ELECTRONIC TECHNOLOGIES, LLC AND SHOULD NOT BE USED WITHOUT WRITTEN PERMISSION		CURRENT REV DESC:			molex		
	DIMENSION UNITS	SCALE						
▽ = 0	mm	NTS	GENERAL TOLERANCES (UNLESS SPECIFIED)			PRODUCT CUSTOMER DRAWING		
▽ = 0	ANGULAR TOL ± 3.0°		DRWN: GLLI 2019/10/10			DOCUMENT NUMBER		
▽ = 0	4 PLACES ±		CHK'D: YXZHENG 2019/10/10			DOC TYPE DOC PART REVISION		
▽ = 0	3 PLACES ± 0.1		APPR: YXZHENG 2019/10/10			SD-105313-100 PSD 000 G		
▽ = 0	2 PLACES ± 0.2		INITIAL REVISION:			MATERIAL NUMBER		
▽ = 0	1 PLACE ± 0.3		DRWN: GLLI 2015/05/29			CUSTOMER		
▽ = 0	0 PLACES ±		APPR: AYIN 2016/04/27			GENERAL MARKET		
□ = 0	DRAFT WHERE APPLICABLE MUST REMAIN WITHIN DIMENSIONS		THIRD ANGLE PROJECTION	DRAWING	SERIES	SHEET NUMBER		
▽ = 0				A3-SIZE	105313	5 OF 5		