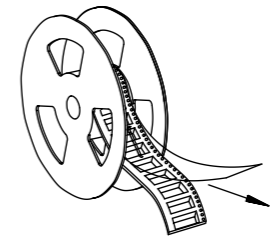


CARRIER TAPE NUMBER	DIM A	DIM B	DIM D	DIM E	DIM F
105429-8001	24.00	N/A	11.50	8.63	6.98
105429-8002	24.00	N/A	11.50	11.13	9.48
105429-8003	32.00	28.40	14.20	13.63	11.98
105429-8004	32.00	28.40	14.20	16.13	14.48
105429-8005	44.00	40.40	20.20	18.63	16.98
105429-8006	44.00	40.40	20.20	21.13	19.48
105429-8007	44.00	40.40	20.20	23.63	21.98

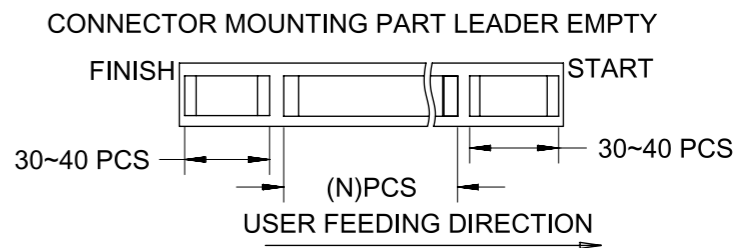
NOTES :

1. REELING DIRECTION IN DELIVERY.

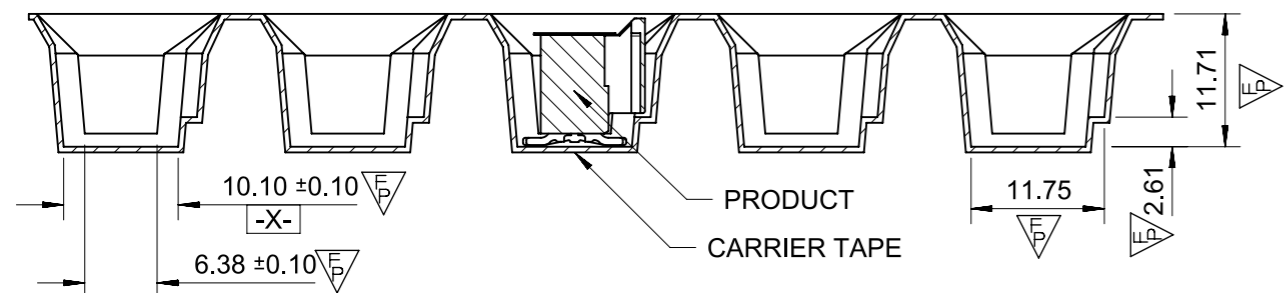
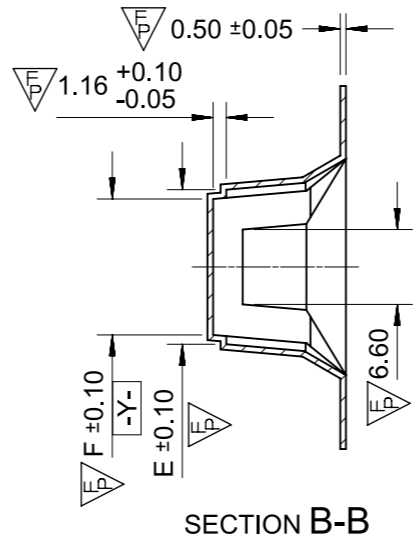
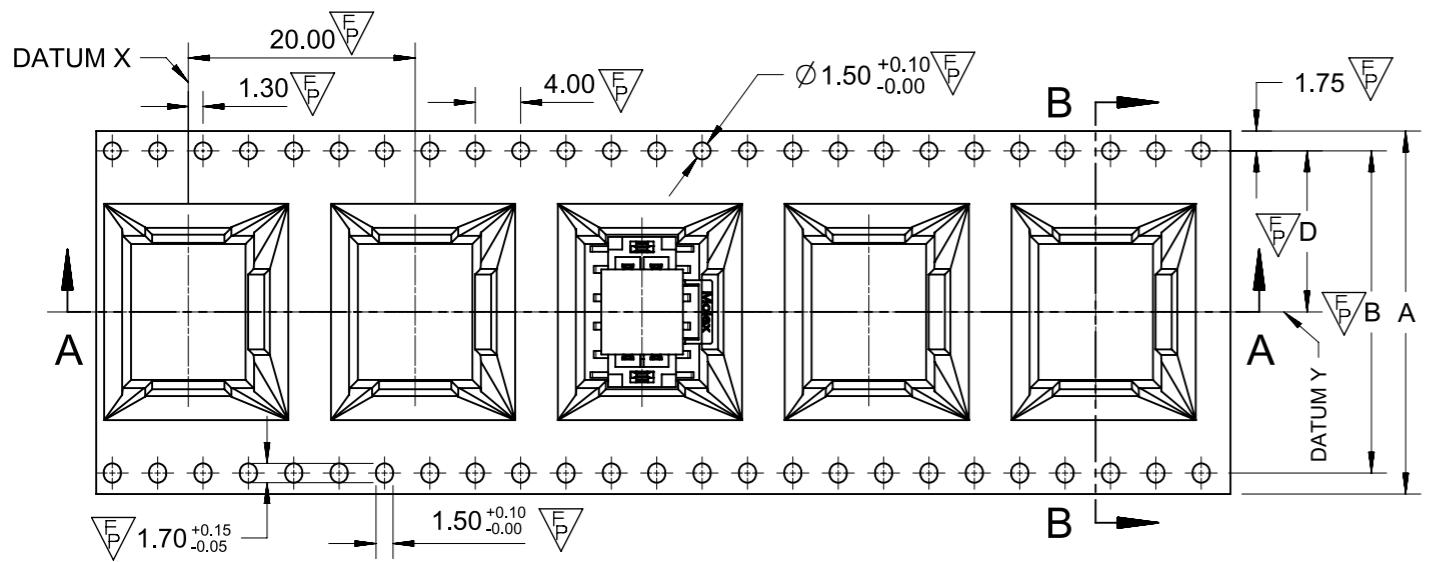
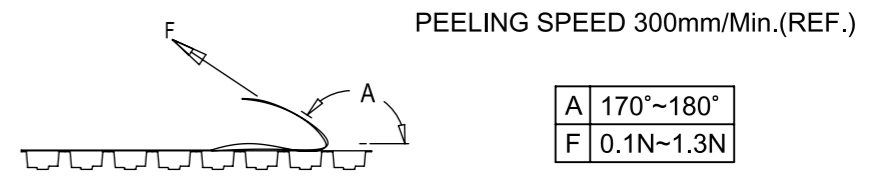


USER FEEDING DIRECTION

2. USER FEEDING DIRECTION



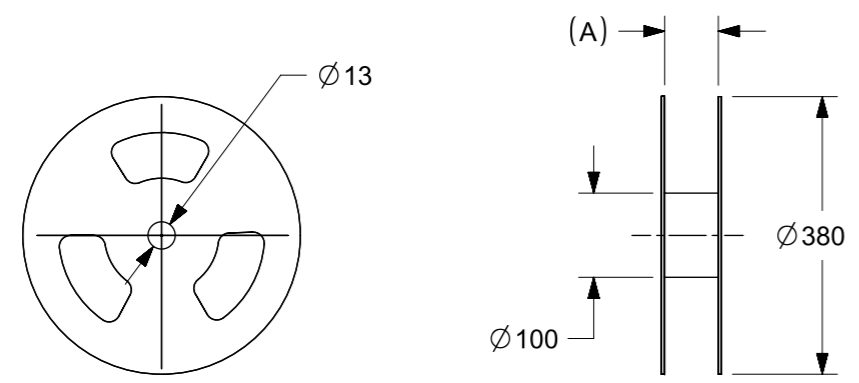
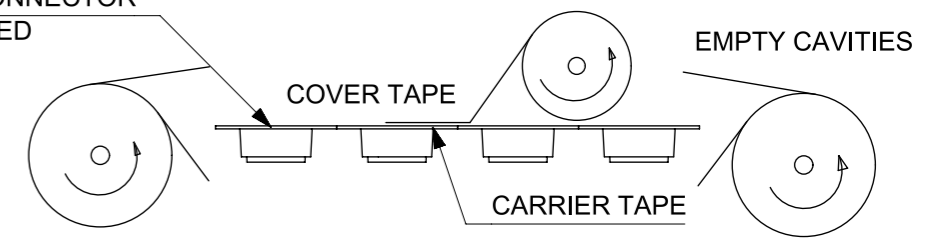
3. COVER TAPE PEELING FORCE



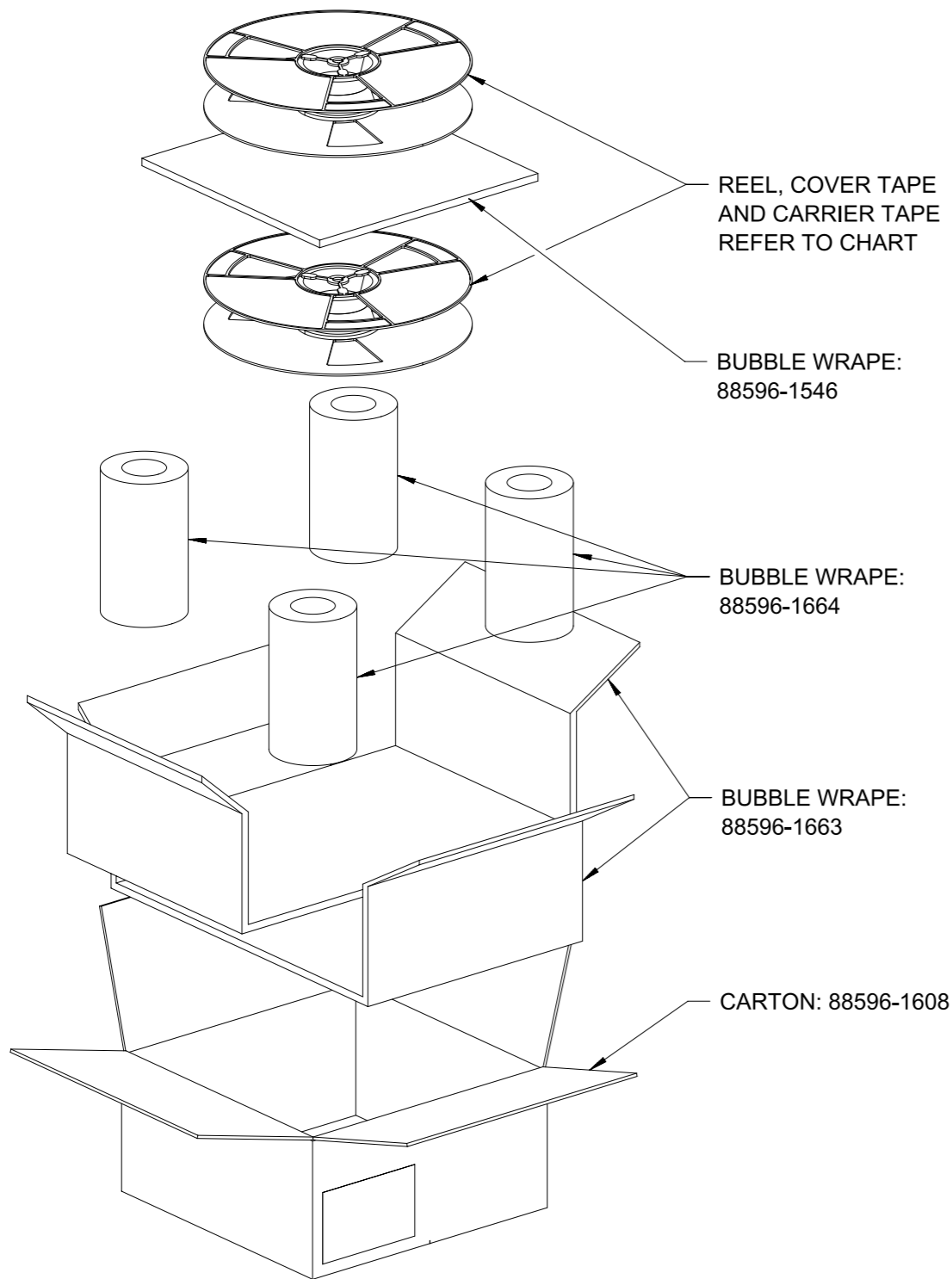
SECTION A-A

USER FEEDING DIRECTION

NANO-FIT CONNECTOR FULLY LOADED



THIS DRAWING CONTAINS INFORMATION THAT IS PROPRIETARY TO MOLEX ELECTRONIC TECHNOLOGIES, LLC AND SHOULD NOT BE USED WITHOUT WRITTEN PERMISSION													
QUALITY SYMBOLS	RE-MASTER IN ECTR	EC NO: 630357	DRWN: GLLI	CHK'D: YXZHENG	APPR: YXZHENG	GENERAL TOLERANCES (UNLESS SPECIFIED)		DIMENSION UNITS	SCALE				
						4 PLACES ±	3.0 °	mm	2:1				
▽A = 0						3 PLACES ±		DRWN BY	DATE	PACKING DRAWING FOR NANO FIT HEADER SMT DR VT			
▽E = 0						2 PLACES ± 0.13	GLLI	2018/05/16					
▽B = 19						1 PLACE ± 0.25	CHK'D BY	DATE	PACKAGING DESIGN DRAWING				
▽ = 0						0 PLACES ±	APPR BY	DATE					
▽ = 0						DRAFT WHERE APPLICABLE MUST REMAIN WITHIN DIMENSIONS		DRAWING SIZE	THIRD ANGLE PROJECTION	SERIES	MATERIAL NUMBER	CUSTOMER	
▽ = 0								A3		105429	SEE SHEET 2	GENERAL MARKET	
										DOCUMENT NUMBER	DOC TYPE	DOC PART	SHEET NUMBER
										1054291000-PK	PDD	000	1 OF 2



REEL	COVER TAPE	CARRIER TAPE	PRODUCT NUMBER	PARTS PER REEL	REELS PER CARTON	PARTS PER CARTON
885961399	894990121	105429-8001	105429-1104, 105429-1204, 105429-1304, 105429-1404	300	3	900
			105429-2104, 105429-2204, 105429-2304, 105429-2404			
			105429-9104, 105429-9204, 105429-9304, 105429-9404			
			105429-9504, 105429-9604, 105429-9704, 105429-9804			
		105429-8002	105429-1106, 105429-1206, 105429-1306, 105429-1406	300	3	900
			105429-2106, 105429-2206, 105429-2306, 105429-2406			
			105429-9106, 105429-9206, 105429-9306, 105429-9406			
			105429-9506, 105429-9606, 105429-9706, 105429-9806			
885961400	894990122	105429-8003	105429-1108, 105429-1208, 105429-1308, 105429-1408	300	3	900
			105429-2108, 105429-2208, 105429-2308, 105429-2408			
			105429-9108, 105429-9208, 105429-9308, 105429-9408			
			105429-9508, 105429-9608, 105429-9708, 105429-9808			
		105429-8004	105429-1110, 105429-1210, 105429-1310, 105429-1410	300	3	900
			105429-2110, 105429-2210, 105429-2310, 105429-2410			
			105429-9110, 105429-9210, 105429-9310, 105429-9410			
			105429-9510, 105429-9610, 105429-9710, 105429-9810			
885961401	894990123	105429-8005	105429-1112, 105429-1212, 105429-1312, 105429-1412	300	2	600
			105429-2112, 105429-2212, 105429-2312, 105429-2412			
			105429-9112, 105429-9212, 105429-9312, 105429-9412			
			105429-9512, 105429-9612, 105429-9712, 105429-9812			
		105429-8006	105429-1114, 105429-1214, 105429-1314, 105429-1414	300	2	600
			105429-2114, 105429-2214, 105429-2314, 105429-2414			
			105429-9114, 105429-9214, 105429-9314, 105429-9414			
			105429-9514, 105429-9614, 105429-9714, 105429-9814			
		105429-8007	105429-1116, 105429-1216, 105429-1316, 105429-1416	300	2	600
			105429-2116, 105429-2216, 105429-2316, 105429-2416			
			105429-9116, 105429-9216, 105429-9316, 105429-9416			
			105429-9516, 105429-9616, 105429-9716, 105429-9816			

NOTES :

1. STAPLES SHOULD ONLY BE USED TO SET UP CARTON. ALL CARTONS CLOSURES MUST BE DONE WITH TAPE.
2. FILL PACKAGING BAGS WITH THE QUANTITIES AS INDICATED IN THE CHART

THIS DRAWING CONTAINS INFORMATION THAT IS PROPRIETARY TO MOLEX ELECTRONIC TECHNOLOGIES, LLC AND SHOULD NOT BE USED WITHOUT WRITTEN PERMISSION												
<b>QUALITY SYMBOLS</b> ▽A = 0 ▽E = 0 ▽F = 0 ▼ = 0 ▽C = 0 ⊗ = 0 ■ = 0 ▽ = 0	RE-MASTER IN ECTR EC NO: 630357 DRWN: GLLI CHK'D: YXZHENG APPR: YXZHENG	GENERAL TOLERANCES (UNLESS SPECIFIED) ANGULAR TOL ± 3.0 °		DIMENSION UNITS mm	SCALE 2:1							
		4 PLACES ± 3 PLACES ± 2 PLACES ± 0.13 1 PLACE ± 0.25 0 PLACES ±		DRWN BY GLLI	DATE 2018/05/16							
		DRAFT WHERE APPLICABLE MUST REMAIN WITHIN DIMENSIONS		APPR BY	DATE	PACKAGING DESIGN DRAWING						
		DRAWING SIZE A3		THIRD ANGLE PROJECTION		SERIES 105429	MATERIAL NUMBER SEE TABLE	CUSTOMER GENERAL MARKET				
		C				REV		DOCUMENT NUMBER 1054291000-PK	DOC TYPE PDD	DOC PART 000	SHEET NUMBER 2 OF 2	