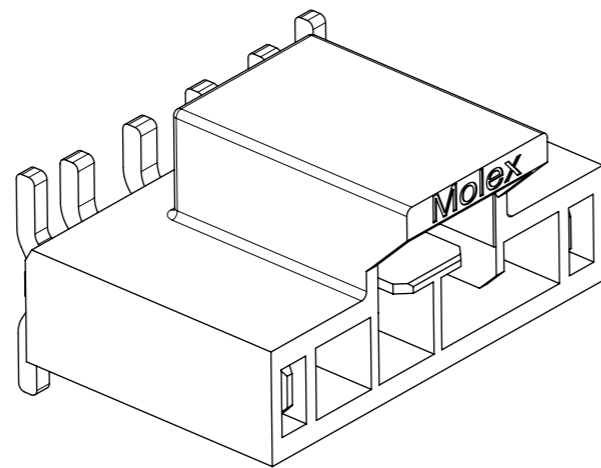
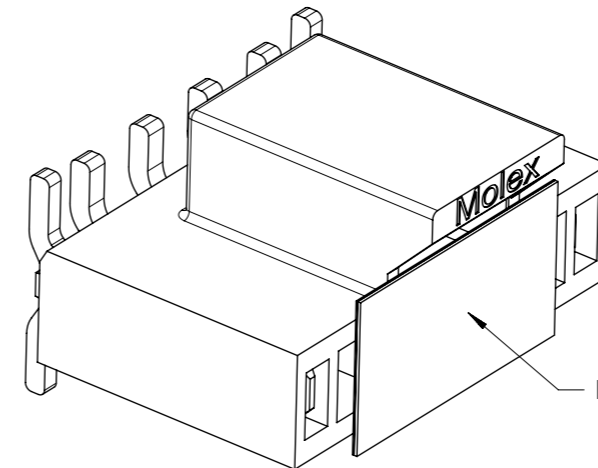


RECOMMENDED PCB LAYOUT(CONNECTOR SIDE VIEW)
THICKNESS=1.60mm MIN. TOLERANCE:±0.05

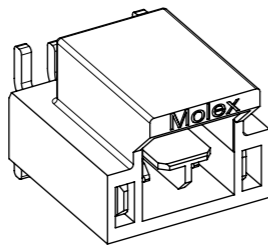
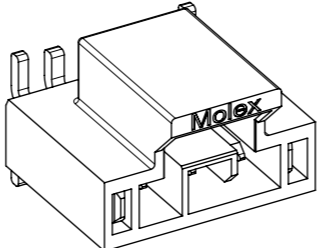
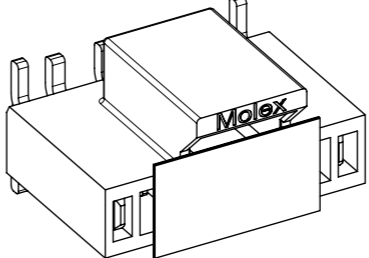
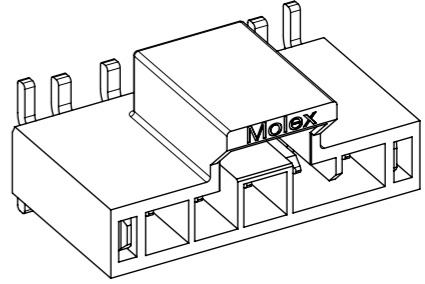
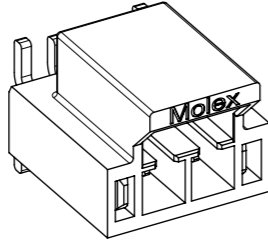
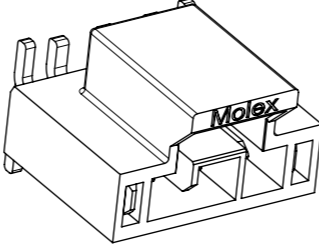
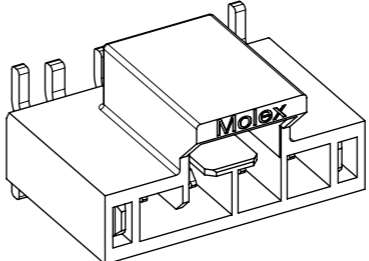
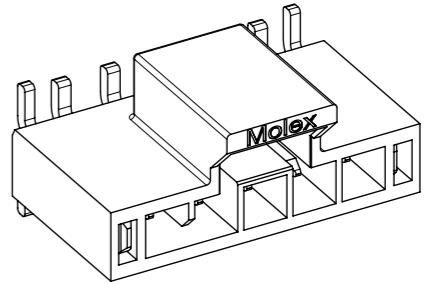
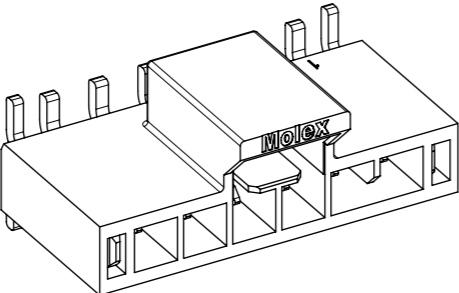
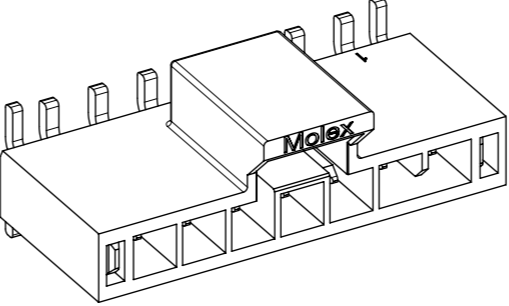
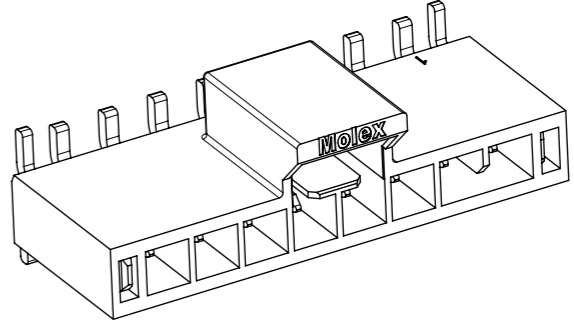
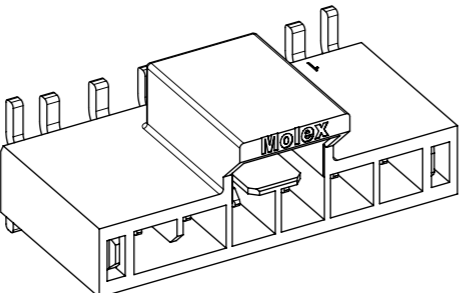
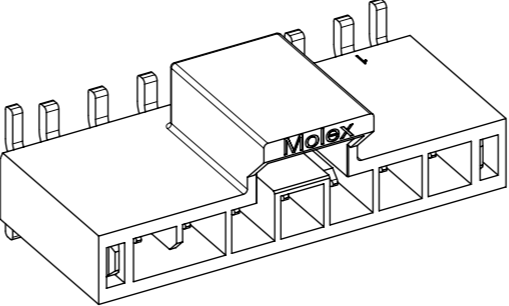
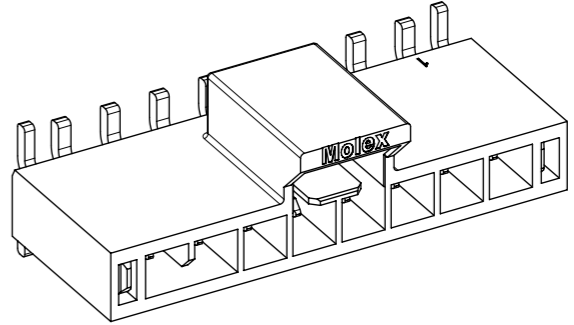



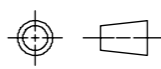
WITHOUT MYLAR



WITH MYLAR
DELIVER TO CUSTOMER

THIS DRAWING CONTAINS INFORMATION THAT IS PROPRIETARY TO MOLEX ELECTRONIC TECHNOLOGIES, LLC AND SHOULD NOT BE USED WITHOUT WRITTEN PERMISSION													
QUALITY SYMBOLS ▽A = 0 ▽E = 0 ▽F = 0 ▽ = 0 ▽C = 0 ▽X = 0 ▽ = 0 ▽ = 0	RE-MASTER IN ECTR EC NO: 625433 DRWN: GLLI CHK'D: YXZHENG APPR: YXZHENG	2019/10/10 2019/10/10 2019/10/10	GENERAL TOLERANCES (UNLESS SPECIFIED)		DIMENSION UNITS	SCALE	 SD DRAWING FOR NANO-FIT HEADER OF SMT VERTICAL SINGLE CONN.						
			ANGULAR TOL ± 3.0 °		mm	5:1							
			4 PLACES ±	DRWN BY	DATE	WJHUO 2014/10/30							
			3 PLACES ±	CHK'D BY	DATE								
			2 PLACES ± 0.2	APPR BY	DATE	AYIN 2015/03/12		PRODUCT CUSTOMER DRAWING					
			1 PLACE ± 0.3	DRAWING SIZE	THIRD ANGLE PROJECTION	A3		SERIES	MATERIAL NUMBER	CUSTOMER			
			0 PLACES ±	DRAFT WHERE APPLICABLE MUST REMAIN WITHIN DIMENSIONS				105431	SEE TABLE	GENERAL MARKET			
								DOCUMENT NUMBER	DOC TYPE	DOC PART	SHEET NUMBER		
								SD-105431-001	PSD	000	1 OF 4		

	2 CKT	3 CKT	4 CKT	5 CKT
BLACK				
NATURAL				
	6 CKT	7 CKT		8 CKT
BLACK				
NATURAL				

THIS DRAWING CONTAINS INFORMATION THAT IS PROPRIETARY TO MOLEX ELECTRONIC TECHNOLOGIES, LLC AND SHOULD NOT BE USED WITHOUT WRITTEN PERMISSION											
QUALITY SYMBOLS ▽ = 0 ▽ = 0 ▽ = 0 ▽ = 0 ▽ = 0 ▽ = 0 ▽ = 0 ▽ = 0 ▽ = 0 ▽ = 0	RE-MASTER IN ECTR EC NO: 625433 DRWN: GLLI CHK'D: YXZHENG APPR: YXZHENG	2019/10/10 2019/10/10 2019/10/10		GENERAL TOLERANCES (UNLESS SPECIFIED) ANGULAR TOL ± 3.0 °		DIMENSION UNITS mm		SCALE 3:1			
		4 PLACES ±		DRWN BY RMV02		DATE 2016/01/14		 SD DRAWING FOR NANO-FIT HEADER OF SMT VERTICAL SINGLE CONN.			
		3 PLACES ±		CHK'D BY		DATE					
		2 PLACES ± 0.2		APPR BY AYIN		DATE 2017/05/15		PRODUCT CUSTOMER DRAWING			
		1 PLACE ± 0.3		DRAWING SIZE A3		THIRD ANGLE PROJECTION		SERIES 105431		MATERIAL NUMBER CUSTOMER GENERAL MARKET	
		0 PLACES ±		DRAFT WHERE APPLICABLE MUST REMAIN WITHIN DIMENSIONS				DOCUMENT NUMBER SD-105431-001		DOC TYPE PSD	
								DOC PART 000		SHEET NUMBER 4 OF 4	