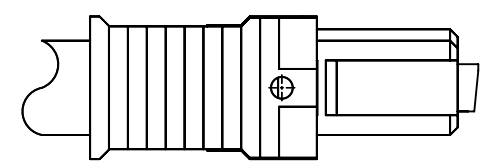
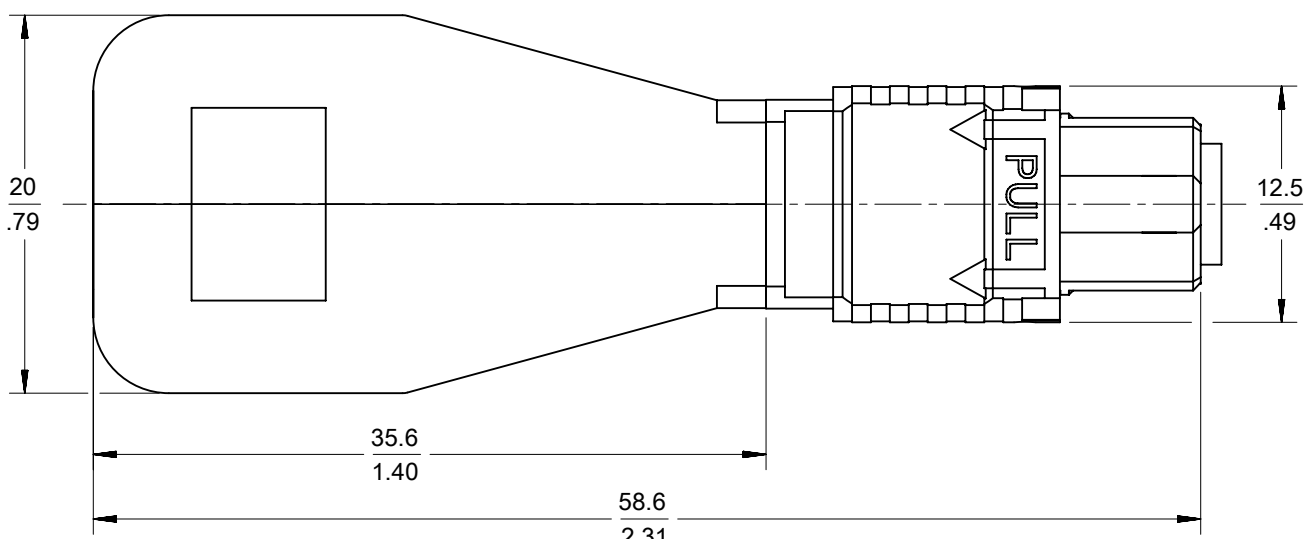
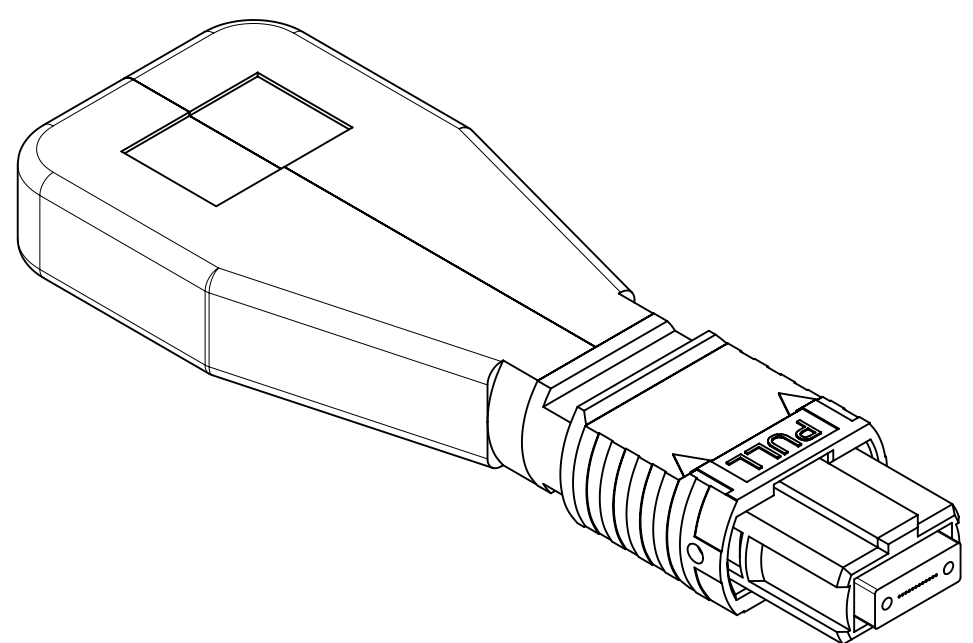


PART NUMBER	CHANNELS	TYPE	PINOUT (SEE CHARTS)	INSERTION LOSS SPEC PER ASSEMBLY (SEE NOTE 2)	POLISH TYPE
1060051000	12	SM	12 CHANNEL STANDARD	1.5 dB	APC
1060051001		MM 50/125		1.0 dB	PC
1060051003		MM 50/125 5dB ATTEN		5 ±1 dB	APC
1060051500	8	SM	8 CHANNEL STANDARD	1.5 dB	APC
1060051501		MM 50/125		1.0 dB	PC
1060051502		MM 62.5/125			
1060051503		MM 50/125 5dB ATTEN		5 ±1 dB	APC
1060051100	12	MM 50/125	12 CHANNEL QSFP	1.0 dB	PC
1060051102				2 ±1 dB	APC
1060051007				SM	1.5 dB

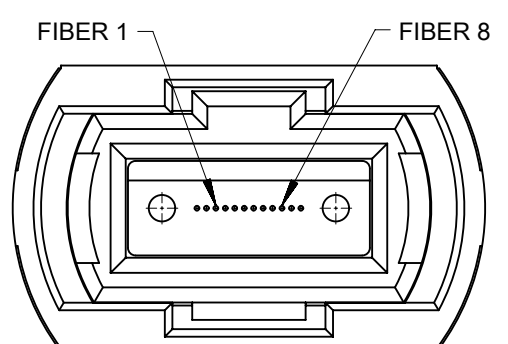
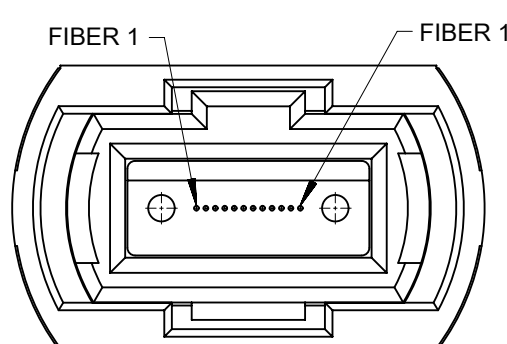
12 CHANNEL STD
FIBER 1 TO 7
2 TO 8
3 TO 9
4 TO 10
5 TO 11
6 TO 12

12 CHANNEL QSFP
FIBER 1 TO 12
2 TO 11
3 TO 10
4 TO 9
5, 6, 7, 8 EMPTY

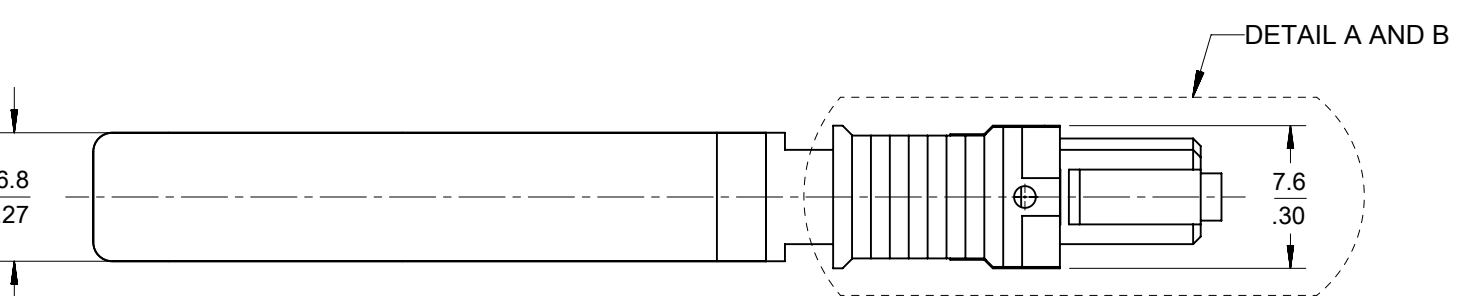
8 CHANNEL STD
FIBER 1 TO 5
2 TO 6
3 TO 7
4 TO 8



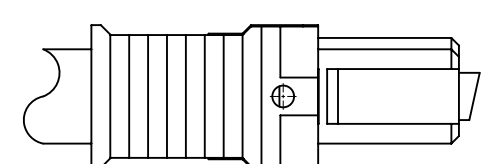
DETAIL A  
FOR SM ANGLE POLISH  
(SEE TABLE)



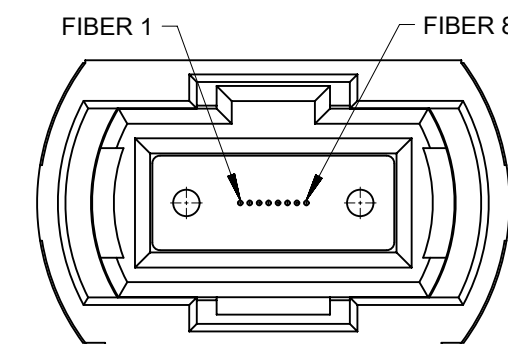
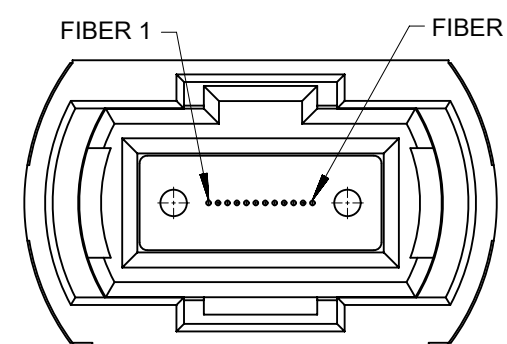
SM ANGLE POLISH IS SHOWN



MM PC POLISH IS SHOWN



DETAIL B  
FOR MM ANGLE POLISH  
(SEE TABLE)



MM PC AND ANGLE POLISH ARE SHOWN

PIN OUT DIAGRAMS

- NOTES:
- LOOPBACK ASSEMBLY AND ITS COMPONENTS SHALL COMPLY WITH EU DIRECTIVE 2011/65/EU ON THE RESTRICTION OF THE USE OF HAZARDOUS SUBSTANCES IN ELECTRICAL AND ELECTRONIC EQUIPMENT (RoHS).
  - INSERTION LOSS (IL) SHOWN IS PER CHANNEL (2 MATED PAIRS).

THIS DRAWING CONTAINS INFORMATION THAT IS PROPRIETARY TO MOLEX ELECTRONIC TECHNOLOGIES, LLC AND SHOULD NOT BE USED WITHOUT WRITTEN PERMISSION									
DIMENSION UNITS		SCALE		CURRENT REV DESC: OBSOLETE PART NO					
MM/IN		2.5:1		<p>LOW PROFILE MTP LOOPBACK CONNECTOR</p>					
GENERAL TOLERANCES (UNLESS SPECIFIED)									
	MM	INCH		EC NO: 625872		2019/09/06		DOCUMENT NUMBER	
4 PLACES	±	±		DRWN: AKUMAR19		2019/11/06		SD-106005-1000	
3 PLACES	±	±		CHK'D: GB		2019/11/06		DOC TYPE   DOC PART   REVISION	
2 PLACES	±	±		APPR: GGA		2019/11/12		PSD   001   G	
1 PLACE	±	±		INITIAL REVISION:				PRODUCT CUSTOMER DRAWING	
0 PLACES	±	±		DRWN: SERNST		2007/11/12		MATERIAL NUMBER   CUSTOMER	
ANGULAR TOL ± 1.0 °				APPR:				SEE TABLE   GENERAL MARKET	
DRAFT WHERE APPLICABLE MUST REMAIN WITHIN DIMENSIONS				THIRD ANGLE PROJECTION		DRAWING		SHEET NUMBER	
				C-SIZE		106005		1 OF 1	