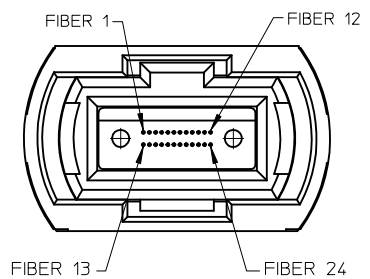
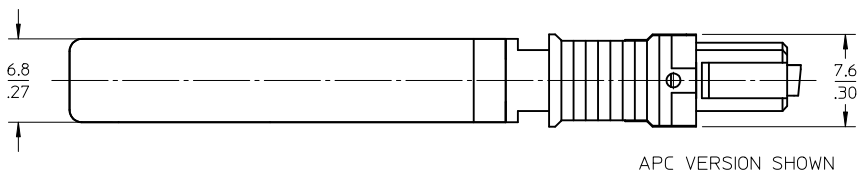
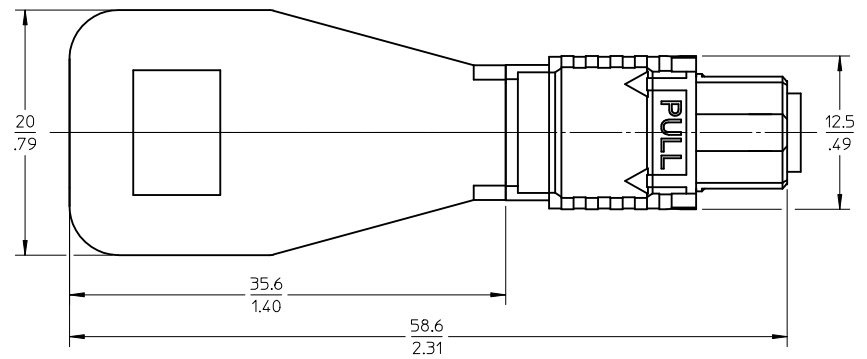
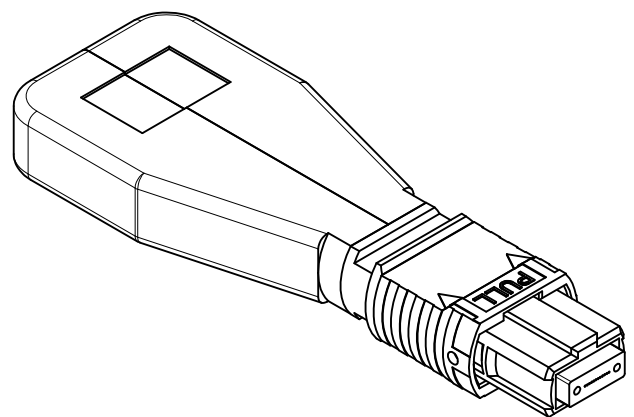


PART NUMBER	TYPE	TOTAL LOSS OF LOOPBACK	POLISH TYPE
1060051601	SM	1.5 dB	8° APC
1060051602	MM 50/125	1 dB	PC



24 CHANNEL PINOUT	
FIBER 1 TO 13	
2 TO 14	
3 TO 15	
4 TO 16	
5 TO 17	
6 TO 18	
7 TO 19	
8 TO 20	
9 TO 21	
10 TO 22	
11 TO 23	
12 TO 24	

ENTER DESCRIPTION EC NO: MF2012-0367 DRAWN: SERNST 2012/01/26 CHKD: WCHEN APPR: WCHEN 2012/01/26	QUALITY SYMBOLS $\nabla = 0$ $\nabla = 0$ $\nabla = 0$	GENERAL TOLERANCES (UNLESS SPECIFIED)		DIMENSION STYLE MM/IN	SCALE 2.5:1	DESIGN UNITS METRIC	THIRD ANGLE PROJECTION		
		4 PLACES ± --- ± --- 3 PLACES ± --- ± --- 2 PLACES ± --- ± --- 1 PLACE ± --- ± ---	mm INCH	DRAWN BY DATE SERNST 2012/01/26	TITLE LOW PROFILE MTP LOOPBACK CONNECTOR 24 CHANNEL				
		ANGULAR ± 1 °		APPROVED BY DATE WCHEN 2012/01/26	MOLEX INCORPORATED				
		DRAFT WHERE APPLICABLE MUST REMAIN WITHIN DIMENSIONS		MATERIAL NO. SEE TABLE	DOCUMENT NO. SD-106005-1601	SHEET NO. 1 OF 1			