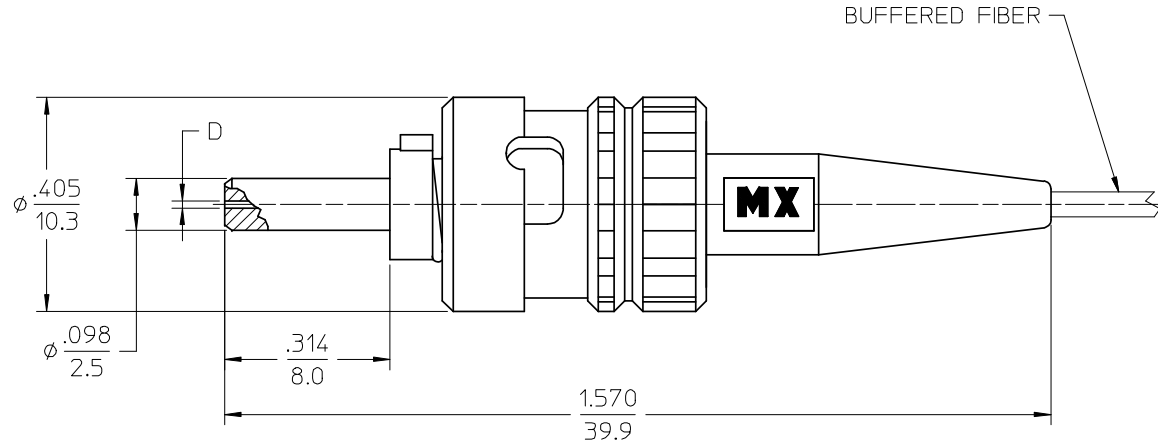


CONNECTOR P/N	D (μm)	FERRULE MATERIAL	BOOT COLOR	COUPLING NUT COLOR	CABLE TYPE
106010-0500	127	Zr PLUS	BLACK	BLACK	MULTIMODE
106010-0510*					SINGLE MODE
106010-2500	125.5	Zr			MULTIMODE
106010-3500	128				SINGLE MODE
106010-5500	126				MULTIMODE
106010-5510*					SINGLE MODE
106010-7500	127				



NOTES:

*1. P/N 106010-0510 AND 106010-5510 ARE BULK PACKED IN QUANTITIES OF 100 PCS.

ENTER DESCRIPTION EC NO: MF2008-0531 DRWN: IGUMIN CHKD: IGUMIN APPR: IGUMIN 2008/06/03 2008/06/03 2008/06/03	QUALITY SYMBOLS ▽=0 ▽=0	GENERAL TOLERANCES (UNLESS SPECIFIED) mm INCH 4 PLACES ±--- ±--- 3 PLACES ±--- ±--- 2 PLACES ±--- ±--- 1 PLACE ±--- ±--- ANGULAR ±1/2°	DIMENSION STYLE IN/MM DRAWN BY DATE RPACIFICI 2005/12/22 CHECKED BY DATE	SCALE 4:1 DESIGN UNITS INCH	THIRD ANGLE PROJECTION
	TITLE ST BARE FIBER CONNECTOR				
	APPROVED BY DATE IGUMIN 2005/12/22 MATERIAL NO. DOCUMENT NO. SHEET NO. SEE TABLE SD-106010-X5X0 1 OF 1				
	DRAFT WHERE APPLICABLE MUST REMAIN WITHIN DIMENSIONS SIZE B THIS DRAWING CONTAINS INFORMATION THAT IS PROPRIETARY TO MOLEX INCORPORATED AND SHOULD NOT BE USED WITHOUT WRITTEN PERMISSION				