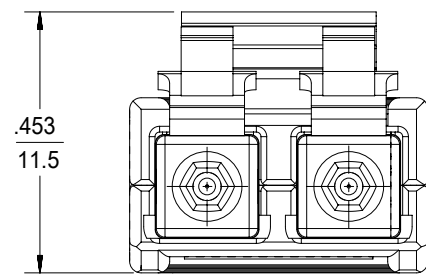
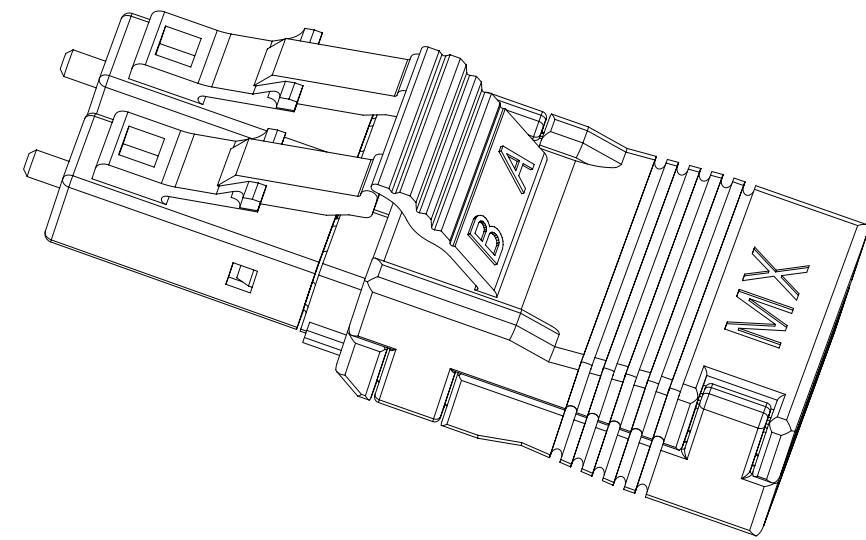
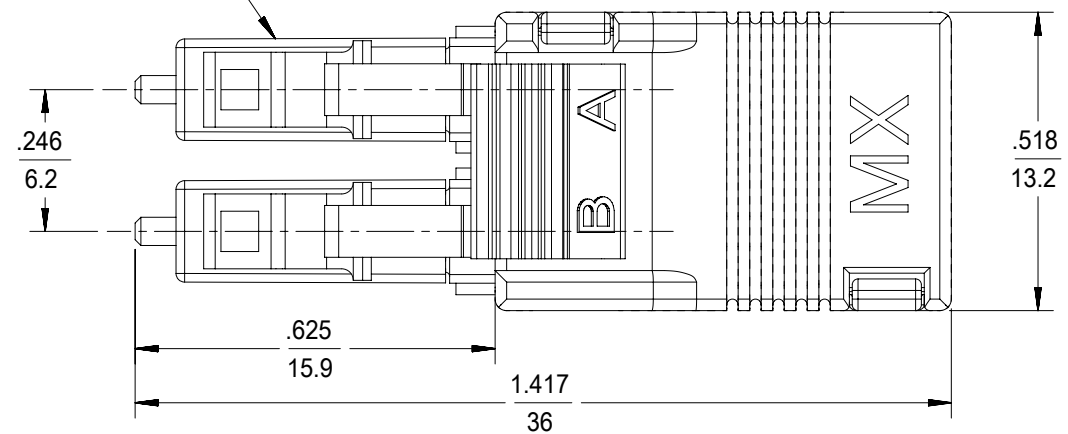
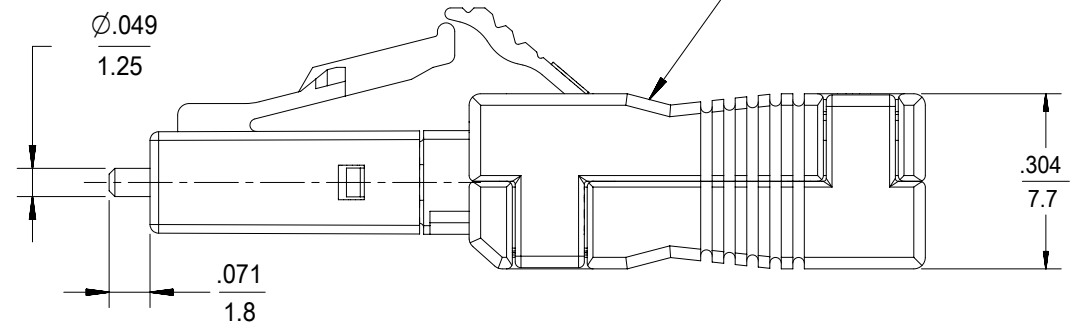


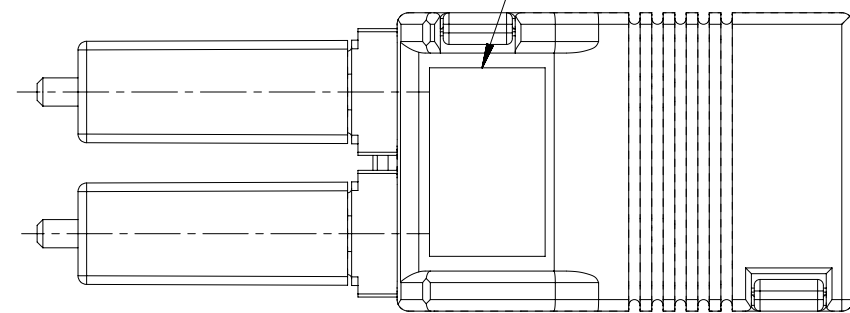
LC CONNECTOR HEAD
(2x)



LC LOOPBACK BODY,
BLUE



LABEL
SEE NOTE 6



NOTES:

1. ALL DIMENSIONS ARE FOR REFERENCE ONLY.
2. DUST CAPS ARE NOT SHOWN, BUT INCLUDED.
3. FIBER TYPE - SINGLEMODE.
4. MAXIMUM IL/RL PER CONNECTOR (TWO MATED PAIRS):
 AT 1550nm = 3.0dB/50dB
 AT 1310nm = 3.0dB/50dB
5. OPERATING TEMPERATURE RANGE: -40° TO +85°C.
6. LABEL IS PRINTED WITH "SM" AND "3dB" AND PLACED ON THE BACK SIDE OF THE CONNECTOR AS SHOWN.

THIS DRAWING CONTAINS INFORMATION THAT IS PROPRIETARY TO MOLEX ELECTRONIC TECHNOLOGIES, LLC AND SHOULD NOT BE USED WITHOUT WRITTEN PERMISSION									
SYMBOLS	DIMENSION UNITS	SCALE	CURRENT REV DESC:						
	mm	1:1	EC NO: 174158 DRWN: SDXIE 2018/03/23 CHK'D: IGUMIN 2018/04/09 APPR: IGUMIN 2018/04/09						
▽ = 0	GENERAL TOLERANCES (UNLESS SPECIFIED)		INITIAL REVISION: DRWN: KPEVZNER 2011/07/11 APPR: IGUMIN 2011/07/12						
▽ = 0	ANGULAR TOL ± 0.5°		DOCUMENT NUMBER				DOC TYPE	DOC PART	REVISION
▽ = 0	4 PLACES ±		SD-106052-0030				PSD	001	B1
▽ = 0	3 PLACES ±		MATERIAL NUMBER		CUSTOMER		SHEET NUMBER		
▽ = 0	2 PLACES ±		1060520030		GENERAL MARKET		1 OF 1		
▽ = 0	1 PLACE ±		THIRD ANGLE PROJECTION		DRAWING		SERIES		
▽ = 0	0 PLACES ±		DRAFT WHERE APPLICABLE MUST REMAIN WITHIN DIMENSIONS		B-SIZE		106052		

molex

LC LOOPBACK
SM 9/125UM

PRODUCT CUSTOMER DRAWING