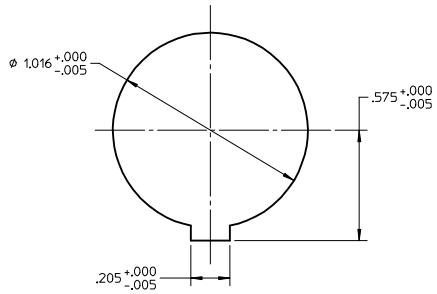
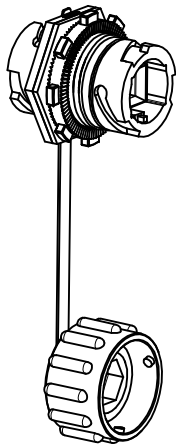


| SC IN-LINE ADAPTER P/N | CONNECTOR TYPE |
|------------------------|----------------|
| 1060594100 | SINGLE MODE |
| 1060594110 | MULTIMODE |
| 1060594120 | APC |



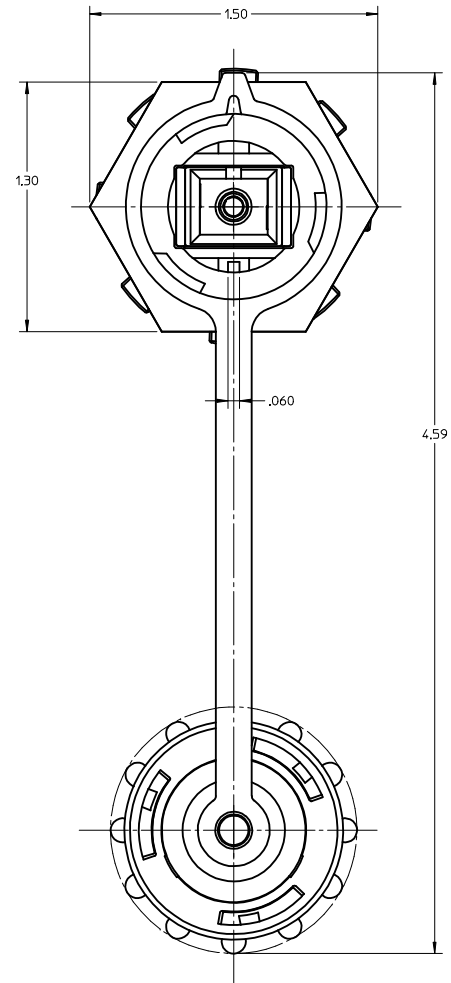
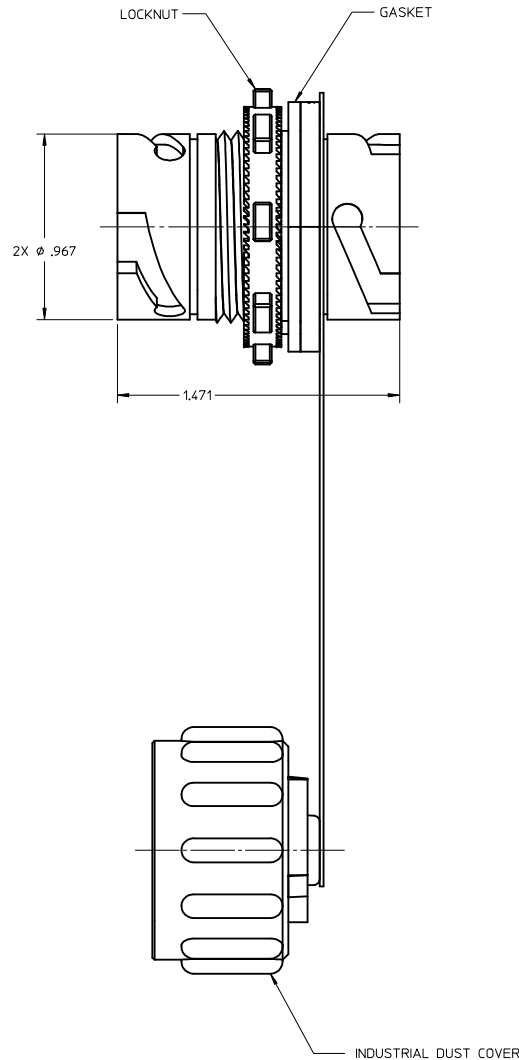
RECOMMENDED MOUNTING CUTOUT



ISOMETRIC VIEW
SCALE 1:1

NOTES:

ALL DIMENSIONS ARE FOR REFERENCE ONLY.



| ENTER DESCRIPTION EC NO: MF2007-0511 DRW: RDDAL, TRUKONIS CHKD: APPR: IGJMIN 2007/02/17 | QUALITY SYMBOLS ▽=0 ▽=0 | GENERAL TOLERANCES (UNLESS SPECIFIED) <table border="1"> <thead> <tr> <th></th> <th>mm</th> <th>INCH</th> </tr> </thead> <tbody> <tr> <td>4 PLACES</td> <td>± .005</td> <td>± .0005</td> </tr> <tr> <td>3 PLACES</td> <td>± .005</td> <td>± .0005</td> </tr> <tr> <td>2 PLACES</td> <td>± .005</td> <td>± .0005</td> </tr> <tr> <td>1 PLACE</td> <td>± .005</td> <td>± .0005</td> </tr> </tbody> </table> | | mm | INCH | 4 PLACES | ± .005 | ± .0005 | 3 PLACES | ± .005 | ± .0005 | 2 PLACES | ± .005 | ± .0005 | 1 PLACE | ± .005 | ± .0005 | DIMENSION STYLE INCH ONLY | SCALE 2:1 | DESIGN UNITS INCH | THIRD ANGLE PROJECTION |
|---|---------------------------------------|--|---|----|------|----------|--------|---------|----------|--------|---------|----------|--------|---------|---------|--------|---------|-------------------------------------|---------------------|-----------------------------|------------------------|
| | | mm | INCH | | | | | | | | | | | | | | | | | | |
| | 4 PLACES | ± .005 | ± .0005 | | | | | | | | | | | | | | | | | | |
| | 3 PLACES | ± .005 | ± .0005 | | | | | | | | | | | | | | | | | | |
| 2 PLACES | ± .005 | ± .0005 | | | | | | | | | | | | | | | | | | | |
| 1 PLACE | ± .005 | ± .0005 | | | | | | | | | | | | | | | | | | | |
| DRAFT WHERE APPLICABLE MUST REMAIN WITHIN DIMENSIONS | DRAWN BY D.B. | DATE 2006/6/29 | TITLE SC IN-LINE INDUSTRIAL ADAPTER | | | | | | | | | | | | | | | | | | |
| APPROVED BY I.G. | DATE 2006/6/29 | MOLEX INCORPORATED | | | | | | | | | | | | | | | | | | | |
| MATERIAL NO. 10605941X0 | DOCUMENT NO. SD-106059-41X0 | SHEET NO. 1 OF 1 | THIS DRAWING CONTAINS INFORMATION THAT IS PROPRIETARY TO MOLEX INCORPORATED AND SHOULD NOT BE USED WITHOUT WRITTEN PERMISSION | | | | | | | | | | | | | | | | | | |