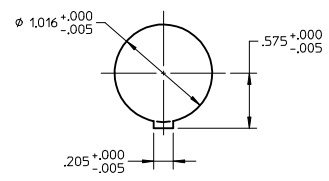
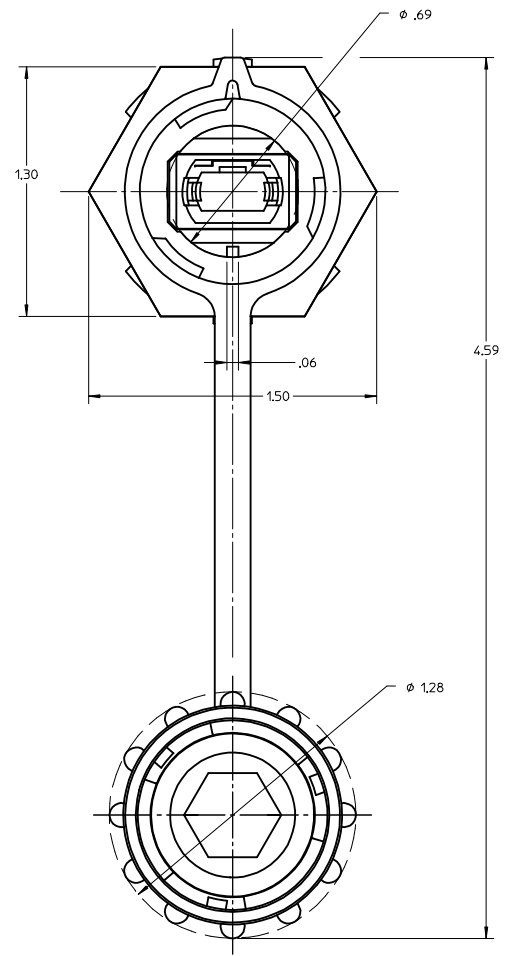
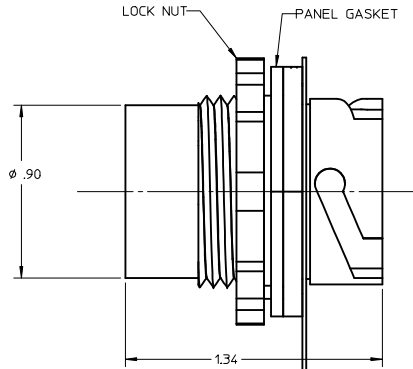
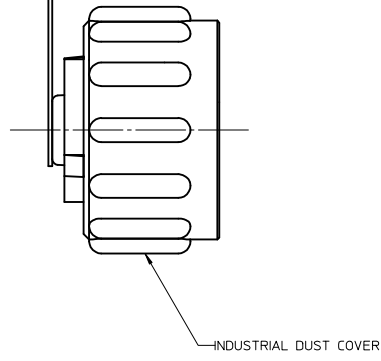


ISOMETRIC VIEW  
SCALE: 1:1



RECOMMENDED MOUNTING CUTOUT  
SCALE: 1:1



INDUSTRIAL DUST COVER

NOTE:  
ALL DIMENSIONS ARE FOR REFERENCE ONLY.

|  |   |  |                     |    |      |          |        |         |          |        |         |          |        |         |         |        |         |  |                                      |                        |
|--|---|--|---------------------|----|------|----------|--------|---------|----------|--------|---------|----------|--------|---------|---------|--------|---------|--|--------------------------------------|------------------------|
| ENTER DESCRIPTION<br>EC NO: MF2007-0002<br>DRW:DBAL TRUKON IS 2006/07/07<br>CHKD: 2006/07/07<br>APPR: IGJMIN 2006/07/07<br>REV A | QUALITY SYMBOLS<br>▽=0<br>▽=0   | GENERAL TOLERANCES (UNLESS SPECIFIED)<br><table border="1"> <tr> <td></td> <td>mm</td> <td>INCH</td> </tr> <tr> <td>4 PLACES</td> <td>± .005</td> <td>± .0005</td> </tr> <tr> <td>3 PLACES</td> <td>± .005</td> <td>± .0005</td> </tr> <tr> <td>2 PLACES</td> <td>± .005</td> <td>± .0005</td> </tr> <tr> <td>1 PLACE</td> <td>± .005</td> <td>± .0005</td> </tr> </table> |                     | mm | INCH | 4 PLACES | ± .005 | ± .0005 | 3 PLACES | ± .005 | ± .0005 | 2 PLACES | ± .005 | ± .0005 | 1 PLACE | ± .005 | ± .0005 | DIMENSION STYLE<br>INCH ONLY<br>DRAWN BY DATE<br>D.B. 2006/6/30<br>CHECKED BY DATE | SCALE<br>2:1<br>DESIGN UNITS<br>INCH | THIRD ANGLE PROJECTION |
|  |   | mm   | INCH                |    |      |          |        |         |          |        |         |          |        |         |         |        |         |  |                                      |                        |
|  | 4 PLACES  | ± .005   | ± .0005             |    |      |          |        |         |          |        |         |          |        |         |         |        |         |  |                                      |                        |
|  | 3 PLACES  | ± .005   | ± .0005             |    |      |          |        |         |          |        |         |          |        |         |         |        |         |  |                                      |                        |
| 2 PLACES   | ± .005  | ± .0005  |                     |    |      |          |        |         |          |        |         |          |        |         |         |        |         |  |                                      |                        |
| 1 PLACE  | ± .005  | ± .0005  |                     |    |      |          |        |         |          |        |         |          |        |         |         |        |         |  |                                      |                        |
| ANGULAR ±1/2°<br>DRAFT WHERE APPLICABLE<br>MUST REMAIN<br>WITHIN DIMENSIONS  | APPROVED BY DATE<br>I.G. 2006/6/30  | TITLE<br>MTP INDUSTRIAL ADAPTER  |                     |    |      |          |        |         |          |        |         |          |        |         |         |        |         |  |                                      |                        |
| MATERIAL NO.<br>1060596200   | DOCUMENT NO.<br>SD-106059-6200  | MOLEX INCORPORATED   |                     |    |      |          |        |         |          |        |         |          |        |         |         |        |         |  |                                      |                        |
| SIZE<br>C  | THIS DRAWING CONTAINS INFORMATION THAT IS PROPRIETARY TO MOLEX INCORPORATED AND SHOULD NOT BE USED WITHOUT WRITTEN PERMISSION |  | SHEET NO.<br>1 OF 1 |    |      |          |        |         |          |        |         |          |        |         |         |        |         |  |                                      |                        |