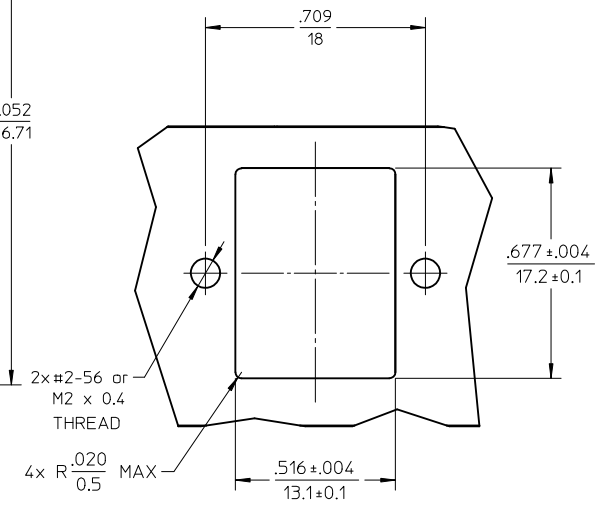
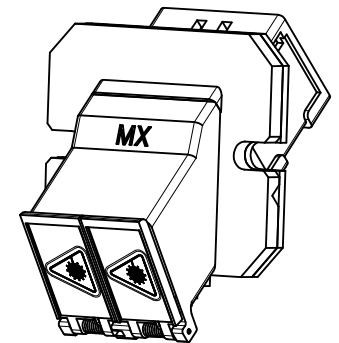
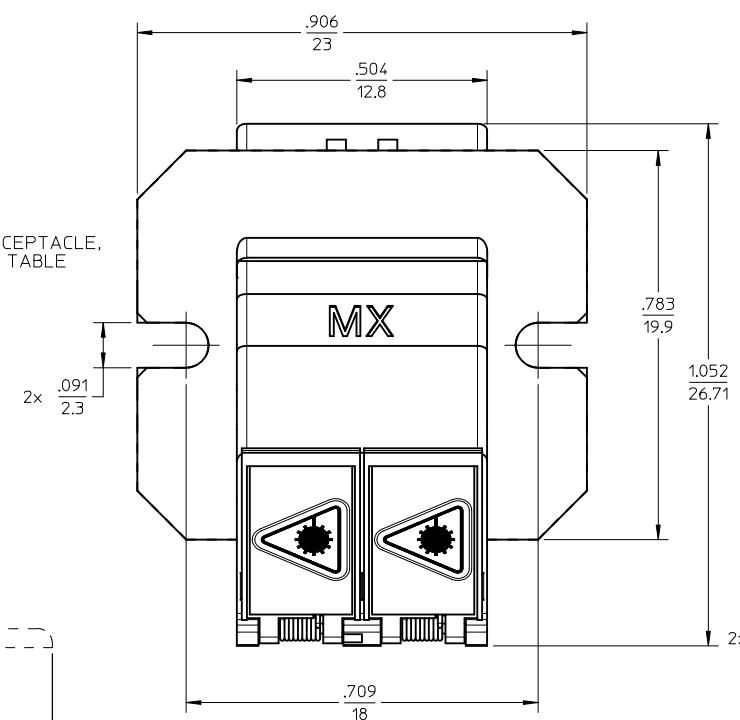
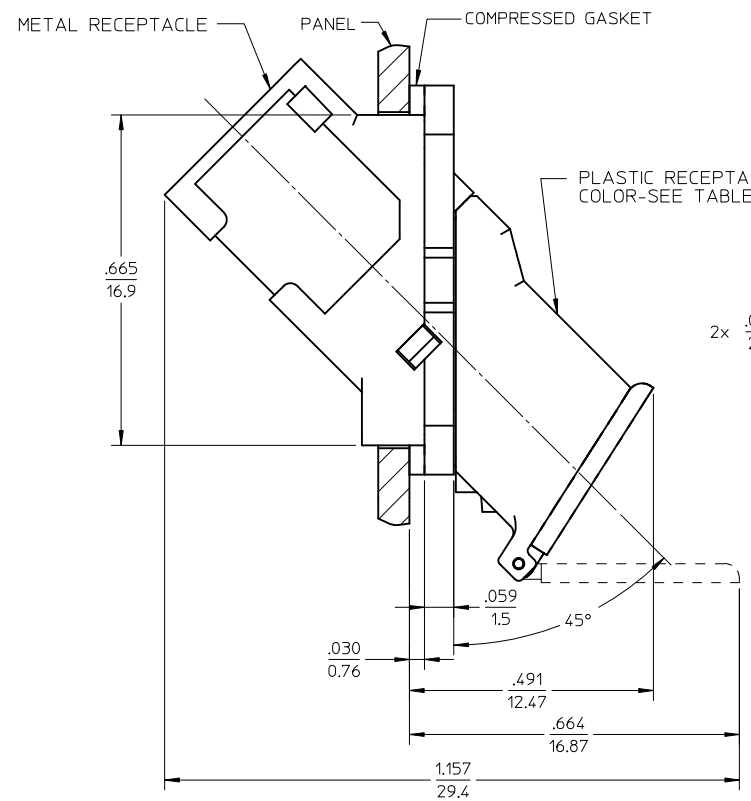


ADAPTER P/N	PLASTIC RECEPTACLE COLOR	SPLIT SLEEVE MATERIAL
106115-3100	BLUE	Zr
106115-3140	BEIGE	
106115-5100	GREEN	Ph. Bronze
106115-3106	BLUE	

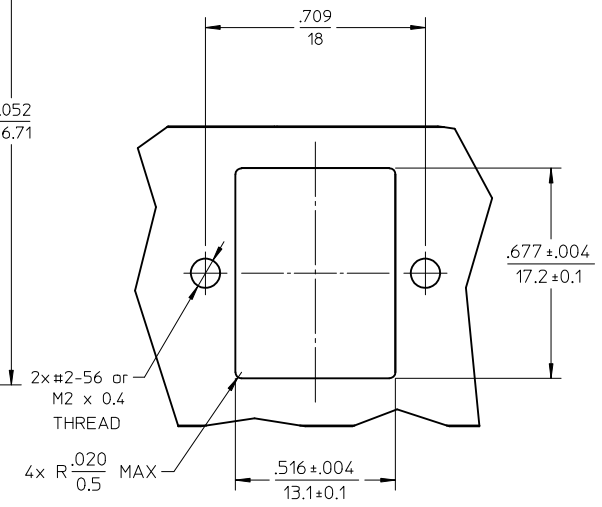
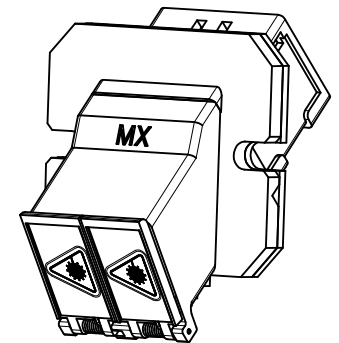
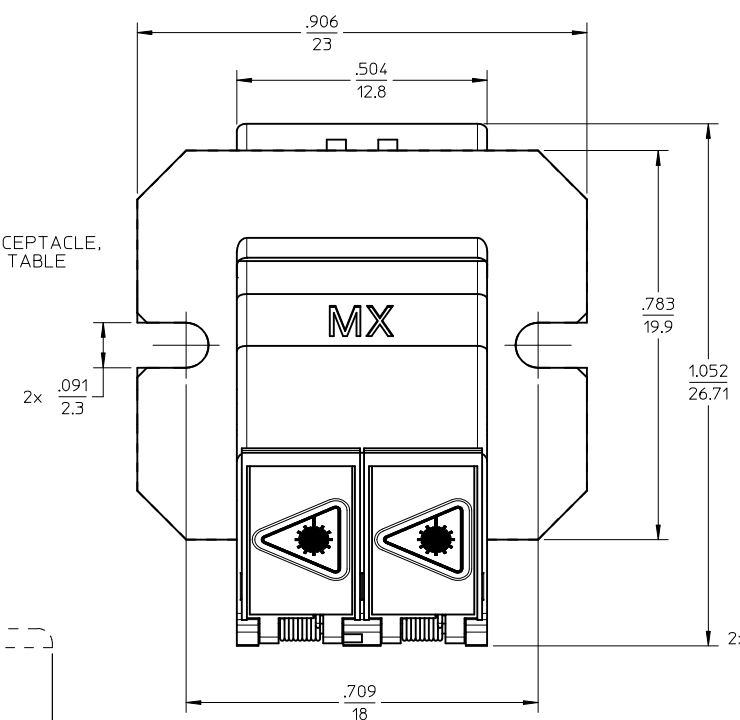
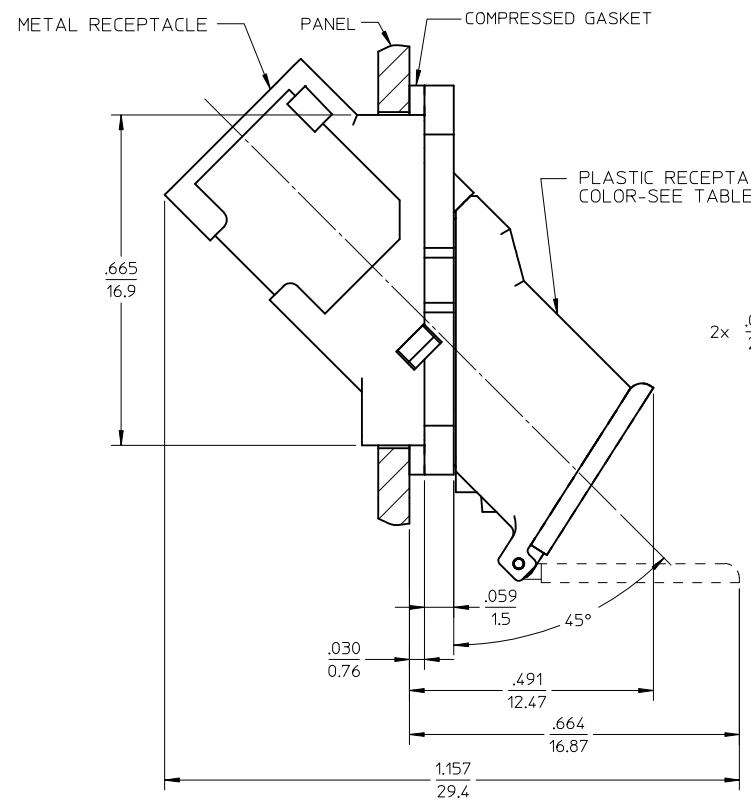


RECOMMENDED MOUNTING PATTERN  
SCALE 2.5:1

- NOTES:
- DIMENSIONS SHOWN ARE FOR REFERENCE ONLY.
  - SILICONE GASKET WITH FILLER (SHOWN COMPRESSED) IS SUPPLIED WITH THE PART.
  - LC DUPLEX WASH CAP NOT SHOWN.
  - ADAPTERS TO BE PACKAGED IN TRAY.

<b>ENTER DESCRIPTION</b> LC NO: WF2011-0127 DRAWN BY: KPEVZNER CHKD: WCHEN APPR: WCHEN DATE: 2010/09/16 DATE: 2010/09/16 DATE: 2010/09/20	QUALITY SYMBOLS ▽=0 ▽=0	GENERAL TOLERANCES (UNLESS SPECIFIED) mm INCH 4 PLACES ± --- ± --- 3 PLACES ± --- ± --- 2 PLACES ± --- ± --- 1 PLACE ± --- ± --- ANGULAR ±1/2°	DIMENSION STYLE IN/MM DRAWN BY: KPEVZNER DATE: 2010/09/16 CHECKED BY: WCHEN DATE: 2010/09/16 APPROVED BY: WCHEN DATE: 2010/09/16 MATERIAL NO.	SCALE: 4:1 DESIGN UNITS: INCH THIRD ANGLE PROJECTION	TITLE: LC-D EMI ADAPTER, 45 DEGREE (SCREW MOUNT) MOLEX INCORPORATED DOCUMENT NO. SD-106115-X10X SHEET NO. 1 OF 1	
	DRAFT WHERE APPLICABLE MUST REMAIN WITHIN DIMENSIONS		SEE TABLE	THIS DRAWING CONTAINS INFORMATION THAT IS PROPRIETARY TO MOLEX INCORPORATED AND SHOULD NOT BE USED WITHOUT WRITTEN PERMISSION		
			SIZE: B			

ADAPTER P/N	PLASTIC RECEPTACLE COLOR	SPLIT SLEEVE MATERIAL
106115-3100	BLUE	Zr
106115-3140	BEIGE	
106115-5100	GREEN	Ph. Bronze
106115-3106	BLUE	



RECOMMENDED MOUNTING PATTERN  
SCALE 2.5:1

- NOTES:
- DIMENSIONS SHOWN ARE FOR REFERENCE ONLY.
  - SILICONE GASKET WITH FILLER (SHOWN COMPRESSED) IS SUPPLIED WITH THE PART.
  - LC DUPLEX WASH CAP NOT SHOWN.
  - ADAPTERS TO BE PACKAGED IN TRAY.

<b>ENTER DESCRIPTION</b> EC NO: WF2011-0127 DRAWN: KPEVZNER 2010/09/16 CHKD: 2010/09/16 APPR: WCHEN 2010/09/20	QUALITY SYMBOLS ▽=0 ▽=0	GENERAL TOLERANCES (UNLESS SPECIFIED) mm INCH 4 PLACES ± --- ± --- 3 PLACES ± --- ± --- 2 PLACES ± --- ± --- 1 PLACE ± --- ± --- ANGULAR ± 1/2°	DIMENSION STYLE IN/MM DRAWN BY DATE KPEVZNER 2010/09/16 CHECKED BY DATE	SCALE 4:1 DESIGN UNITS INCH	THIRD ANGLE PROJECTION
	DRAFT WHERE APPLICABLE MUST REMAIN WITHIN DIMENSIONS		APPROVED BY DATE WCHEN 2010/09/16	TITLE LC-D EMI ADAPTER, 45 DEGREE (SCREW MOUNT)	MOLEX INCORPORATED DOCUMENT NO. SD-106115-X10X SHEET NO. 1 OF 1
			MATERIAL NO. SEE TABLE	THIS DRAWING CONTAINS INFORMATION THAT IS PROPRIETARY TO MOLEX INCORPORATED AND SHOULD NOT BE USED WITHOUT WRITTEN PERMISSION	