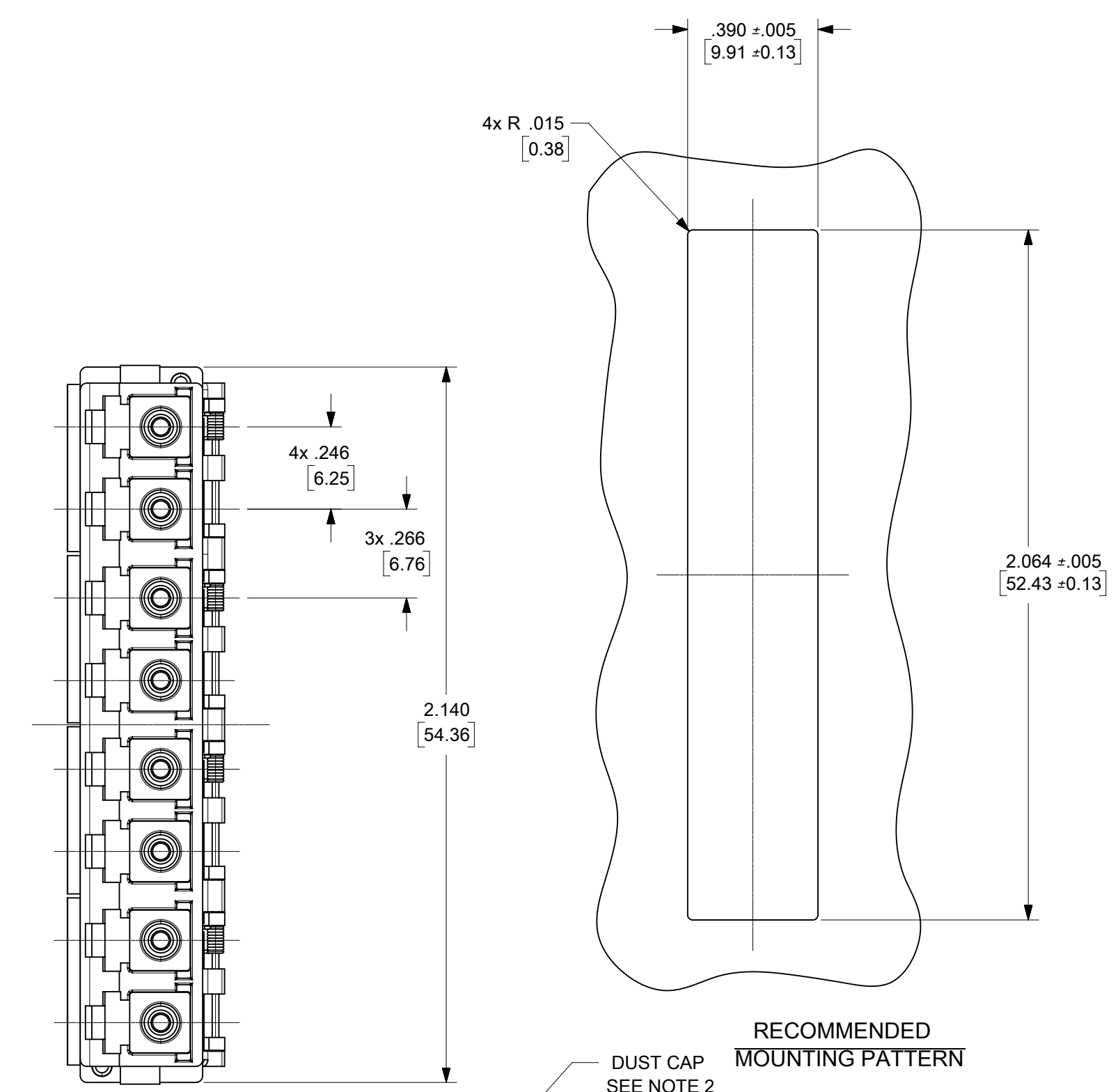
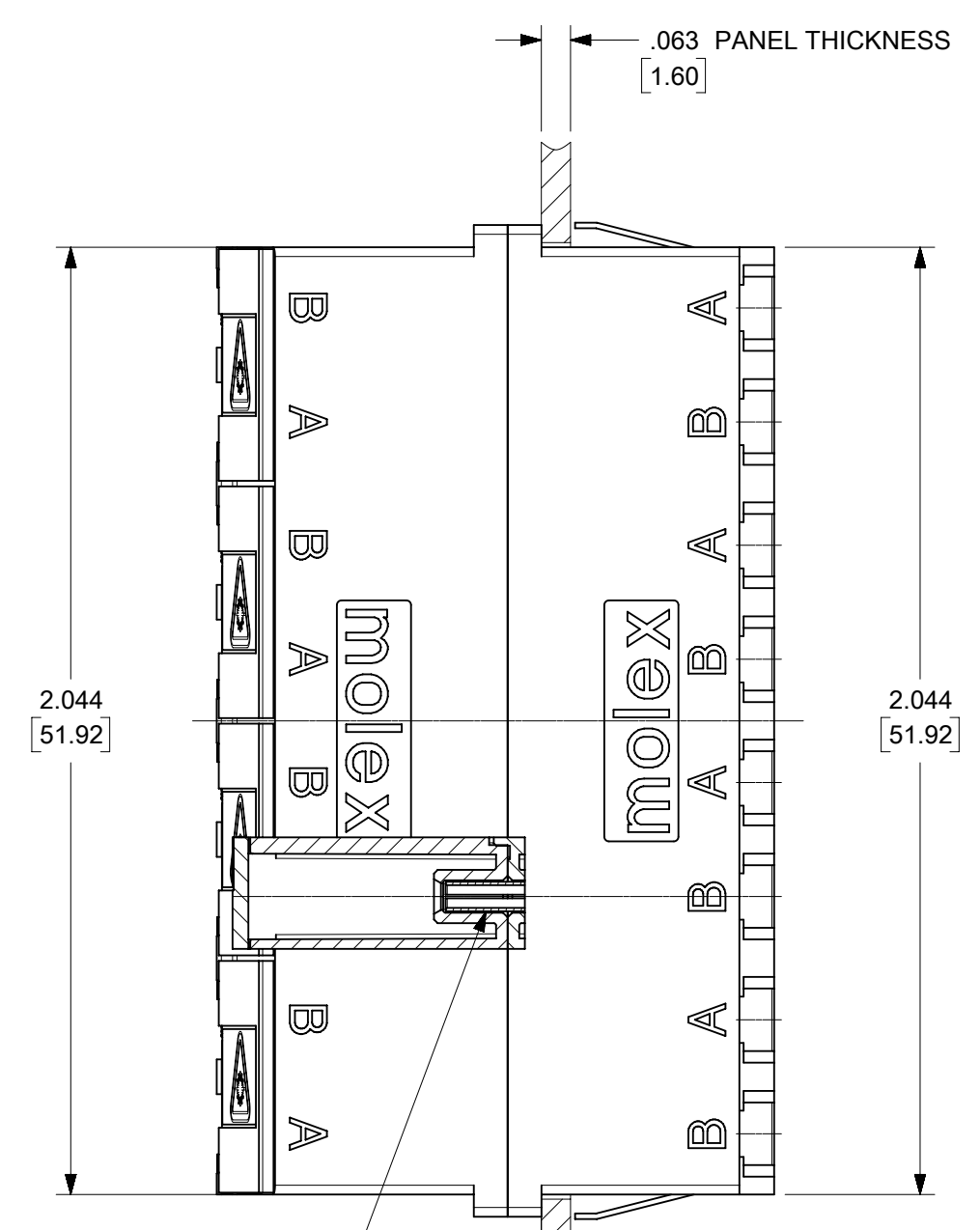
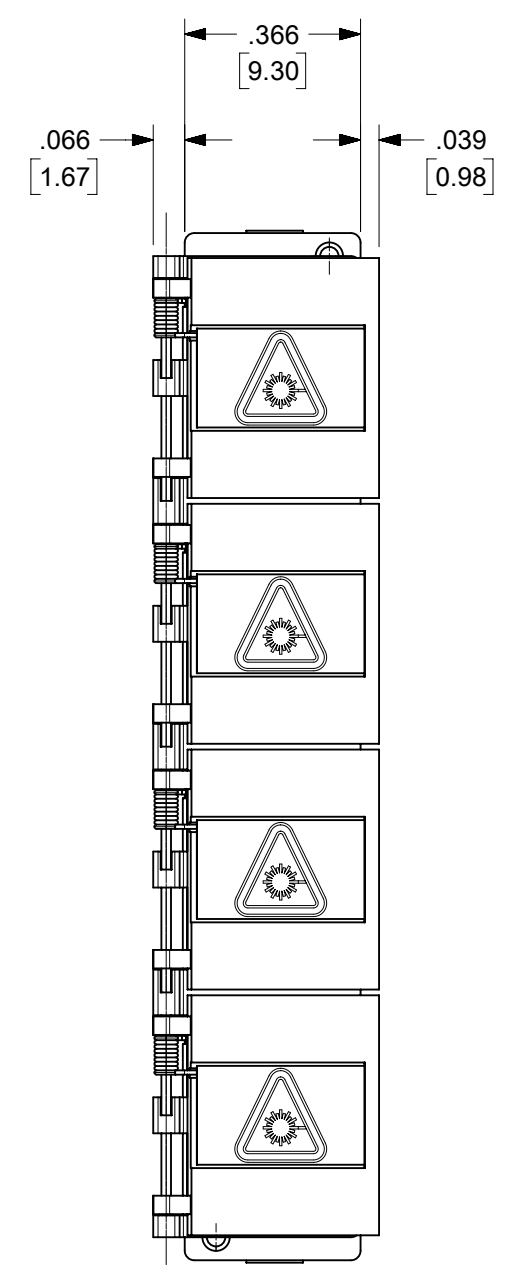
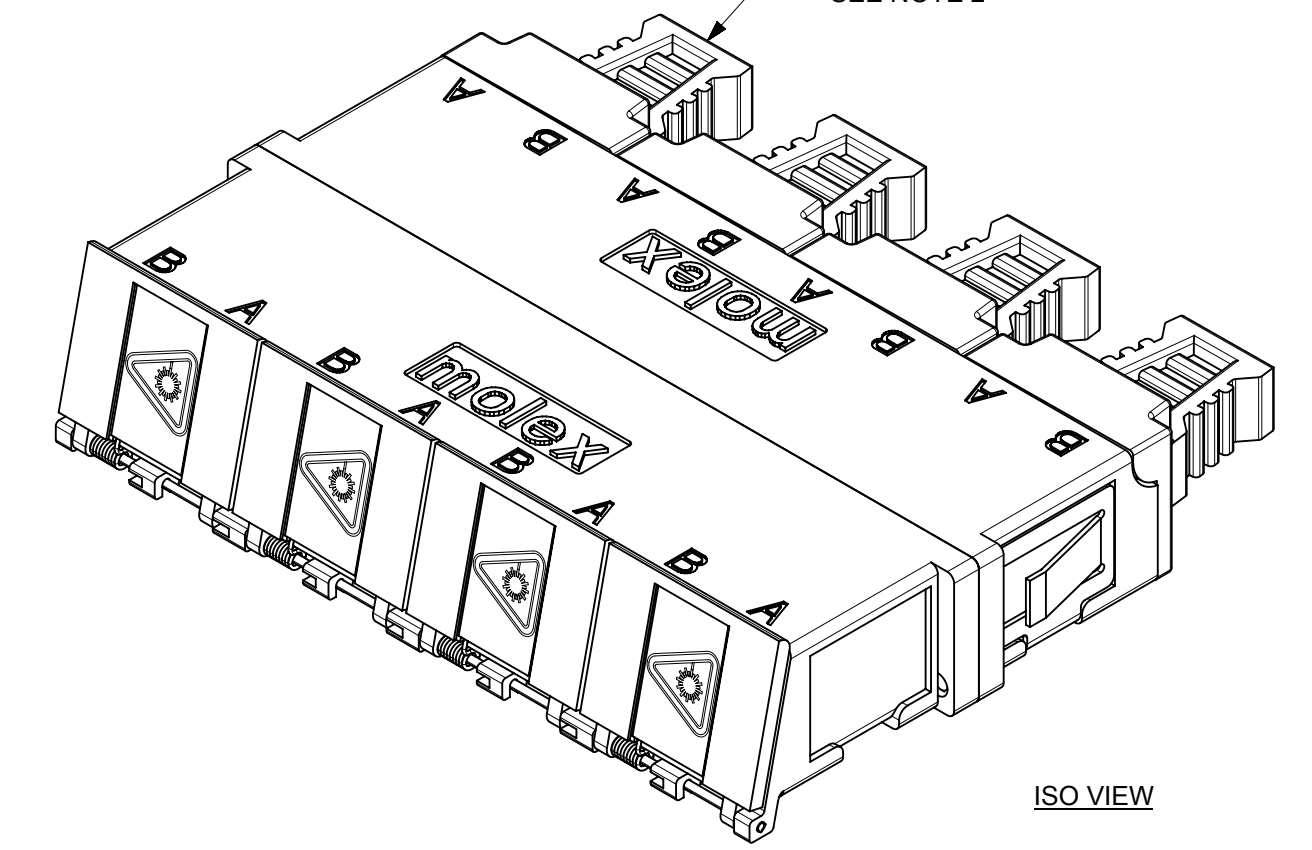
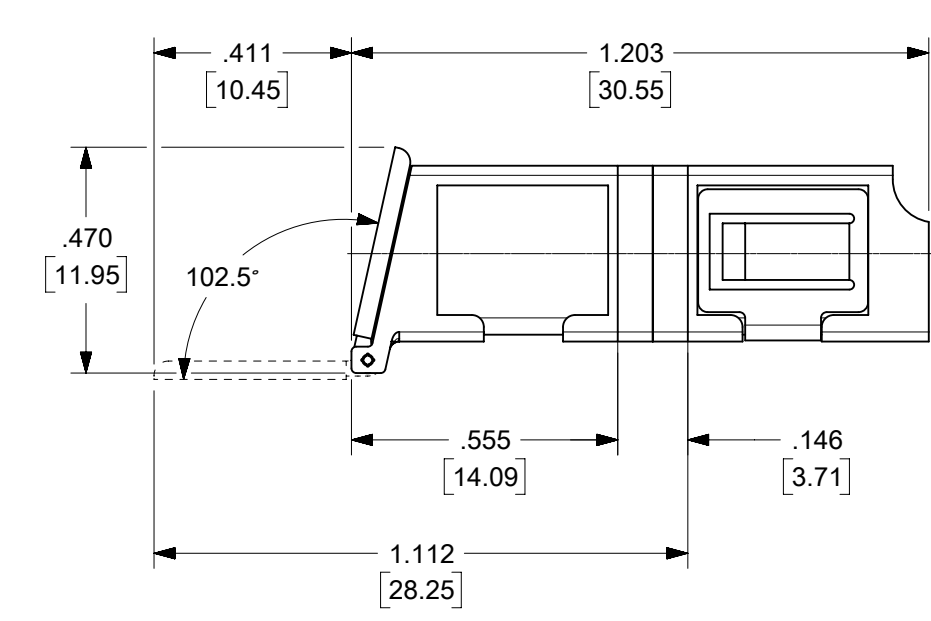


LC 8 PORT ADAPTER		SPLIT SLEEVE
P/N	COLOR	MATERIAL
106121-0300	BLUE	CERAMIC
106121-0302	BEIGE	PHOSPHOR BRONZE
106121-0303	AQUA	



RECOMMENDED MOUNTING PATTERN
DUST CAP SEE NOTE 2



ISO VIEW

NOTES:
1. ALL DIMENSIONS ARE FOR REFERENCE.
2. DUST CAPS SHOWN IN ISO VIEW ONLY.

THIS DRAWING CONTAINS INFORMATION THAT IS PROPRIETARY TO MOLEX ELECTRONIC TECHNOLOGIES, LLC AND SHOULD NOT BE USED WITHOUT WRITTEN PERMISSION									
DIMENSION UNITS		SCALE		CURRENT REV DESC:					
IN/MM		2.5:1							
GENERAL TOLERANCES (UNLESS SPECIFIED)				EC NO: 620216					
4 PLACES ±		±		DRWN: AKUMAR19		2018/06/13			
3 PLACES ±		±		CHK'D: GGA		2019/07/09			
2 PLACES ±		±		APPR: GGA		2019/07/09			
1 PLACE ±		±		INITIAL REVISION:					
0 PLACES ±		±		DRWN: YBELENIY		2011/09/07			
ANGULAR TOL ± °		°		APPR: WCHEN		2012/02/06			
DRAFT WHERE APPLICABLE MUST REMAIN WITHIN DIMENSIONS				THIRD ANGLE PROJECTION		DRAWING		SERIES	
				C-SIZE		106121			
DOCUMENT NUMBER		DOC TYPE		DOC PART		REVISION			
SD-106121-0300		PSD		001		C			
MATERIAL NUMBER		CUSTOMER		SHEET NUMBER					
SEE TABLE		GENERAL MARKET		1 OF 1					