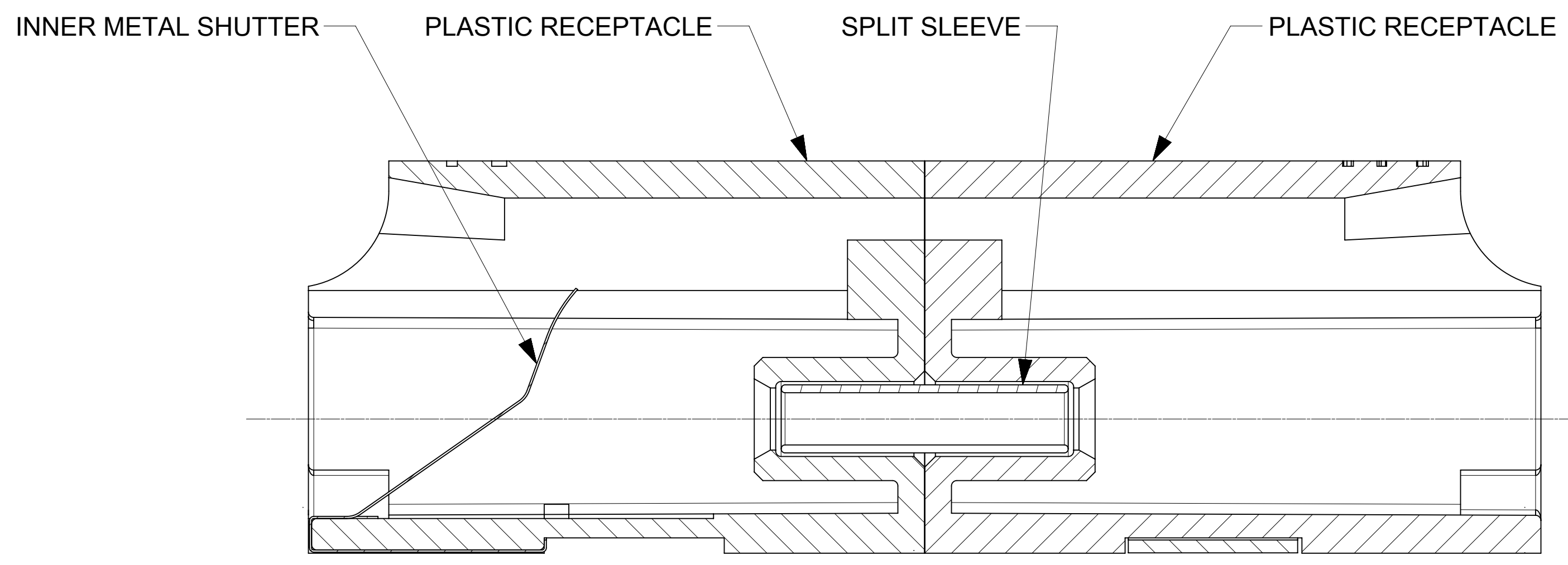
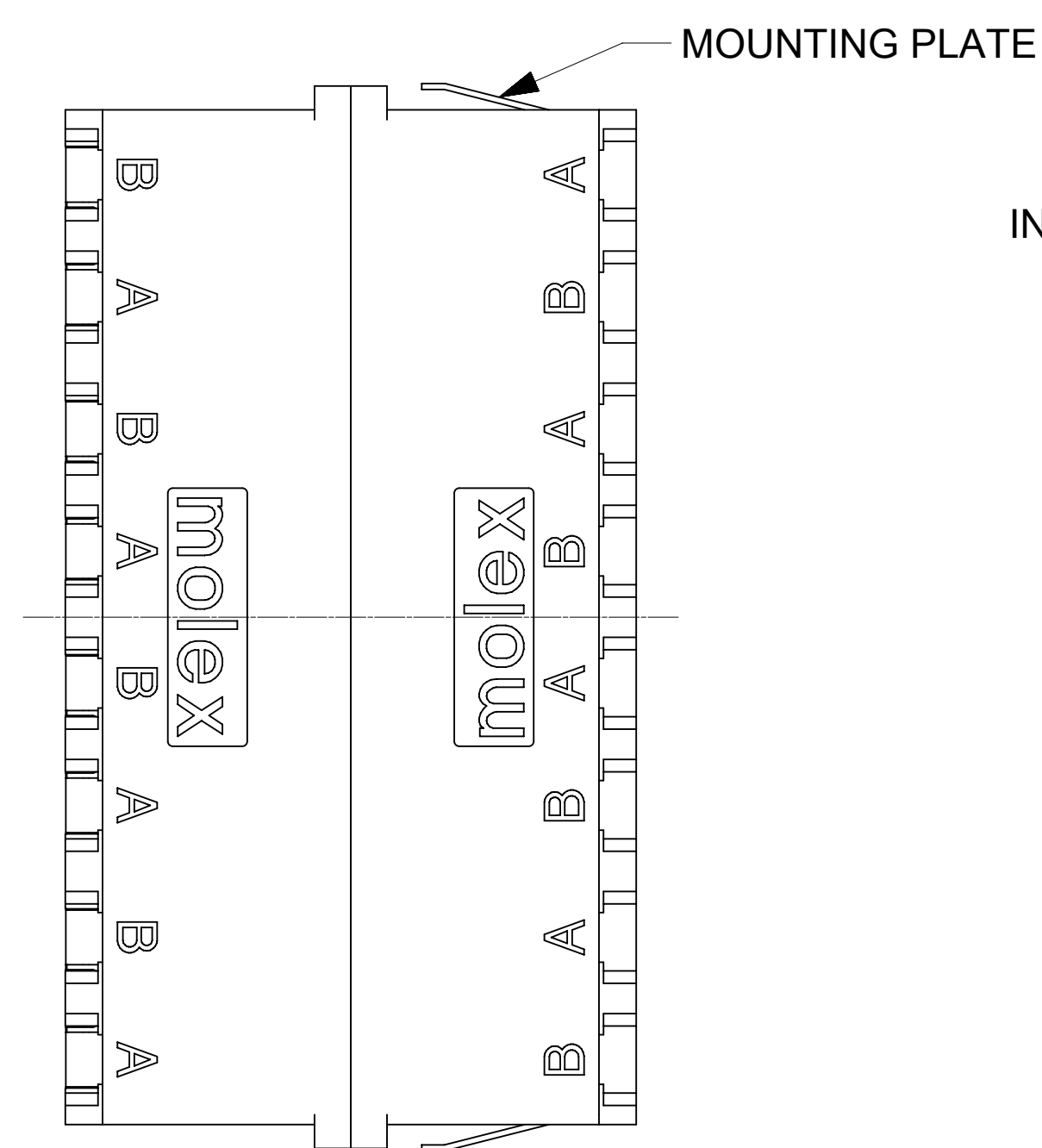
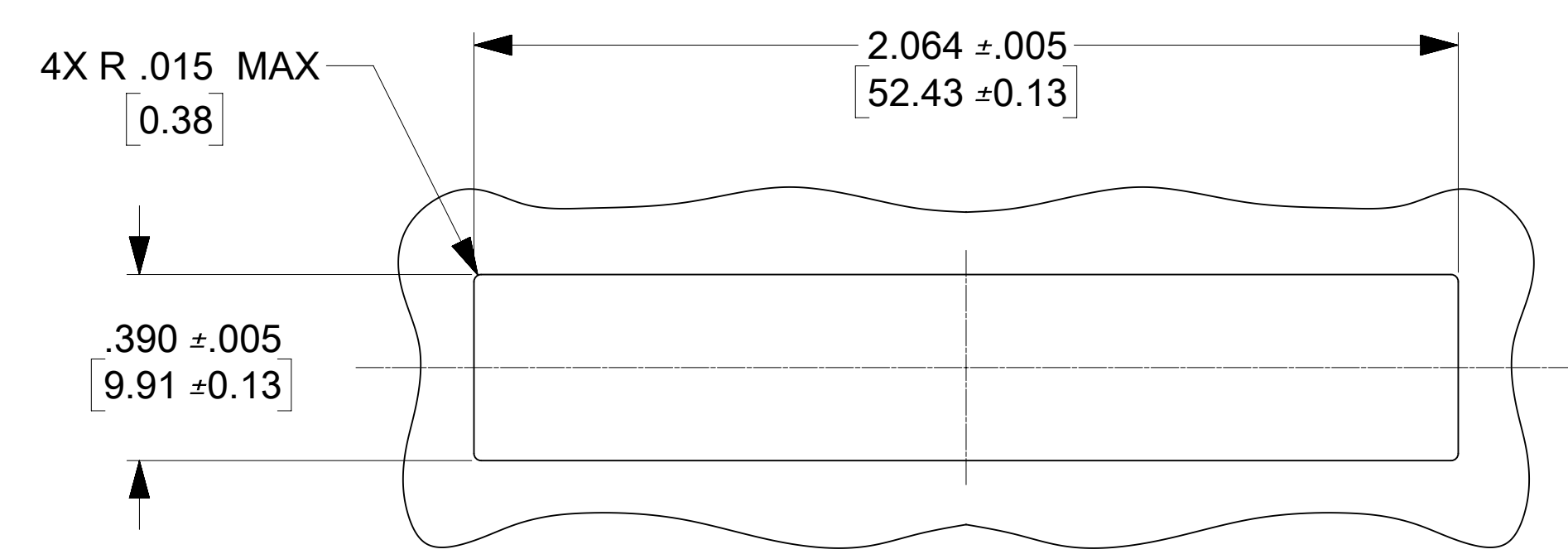
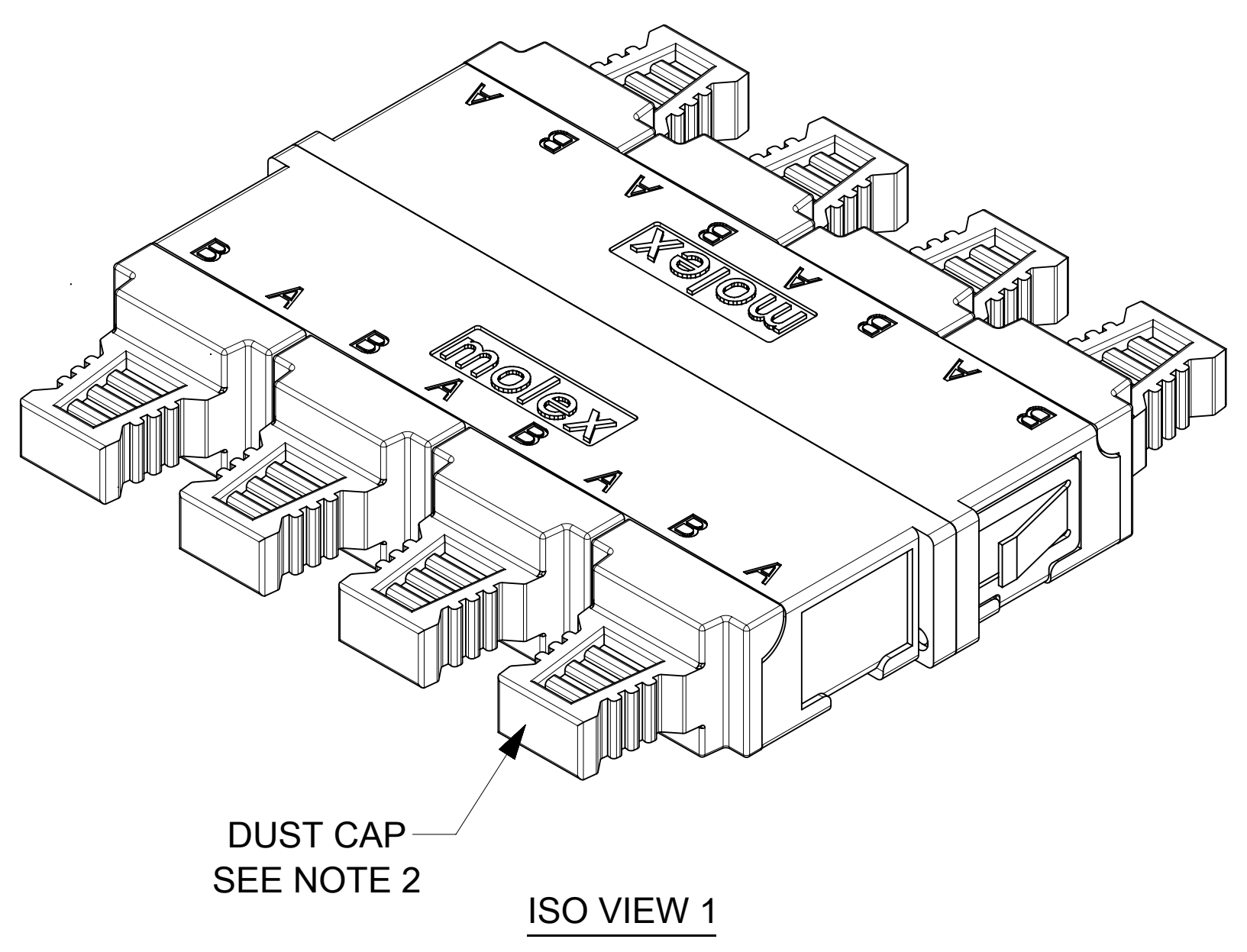
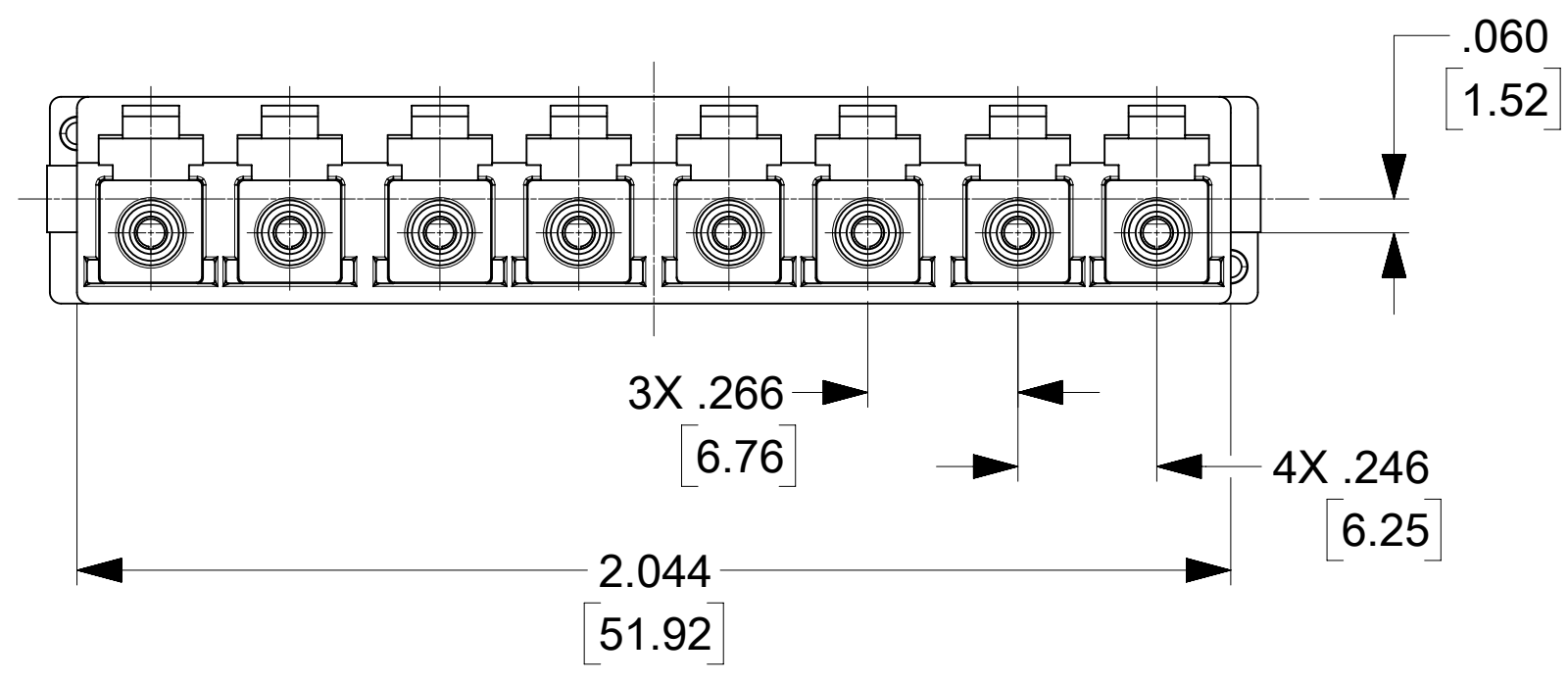
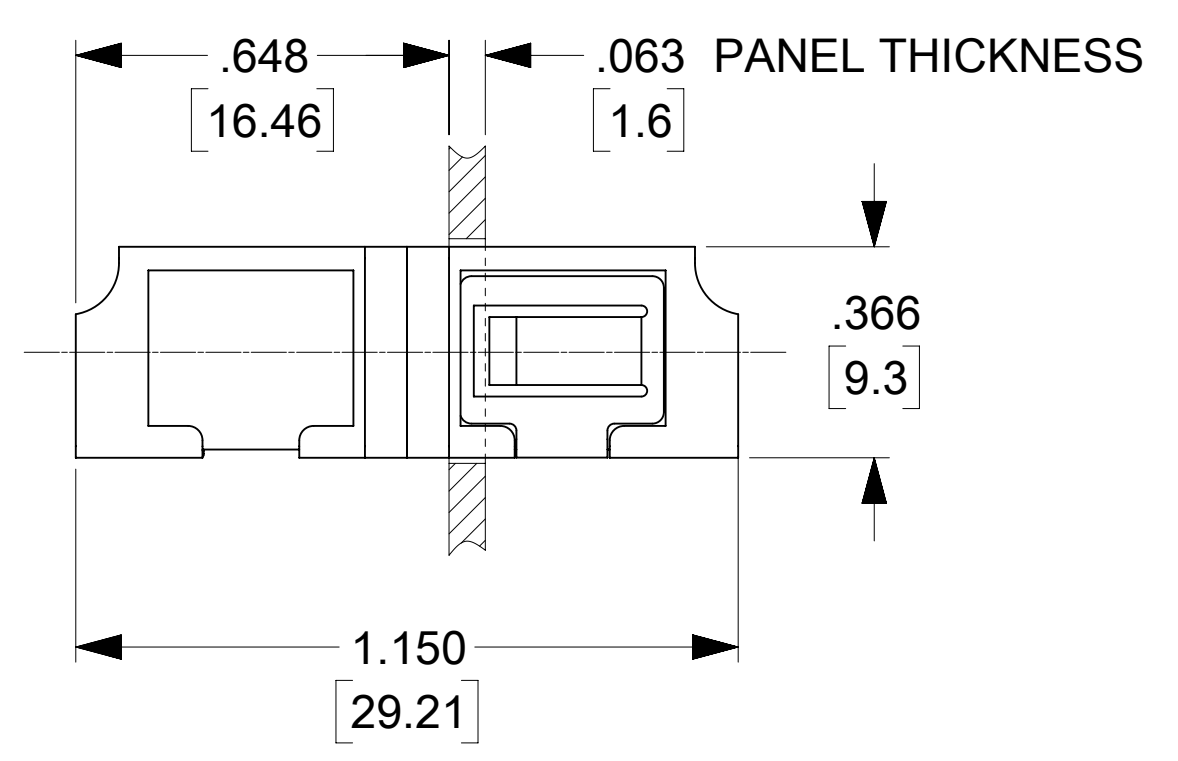
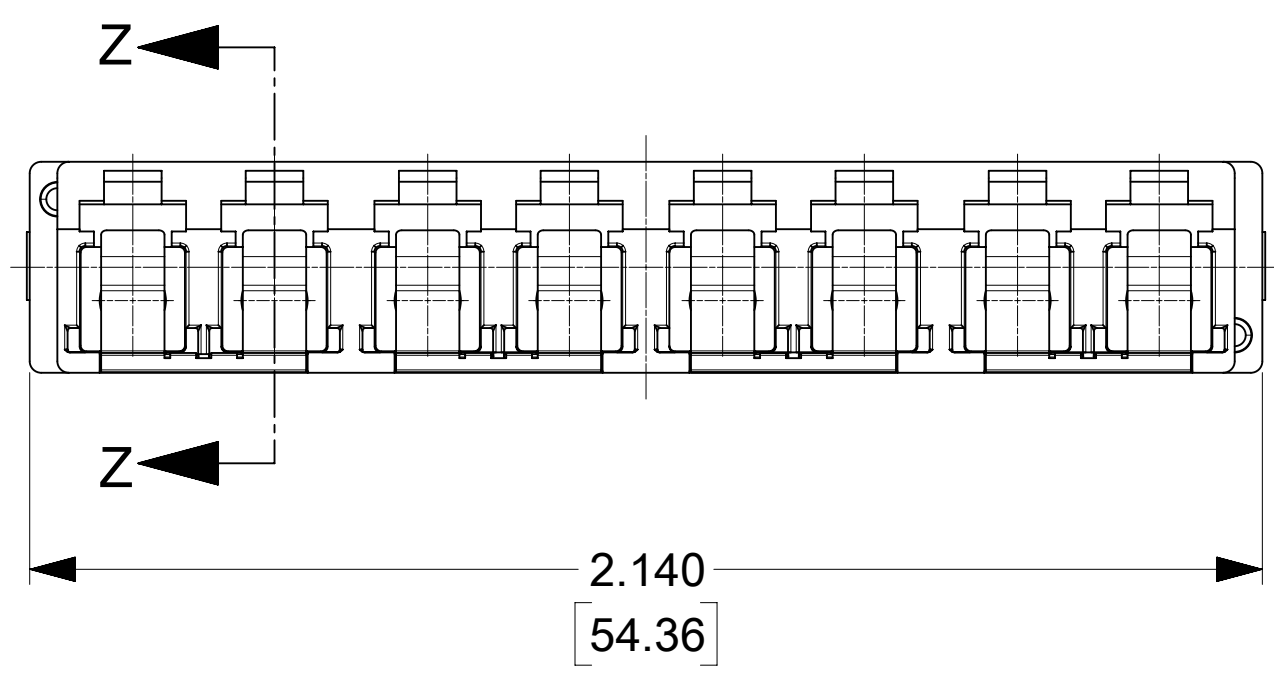


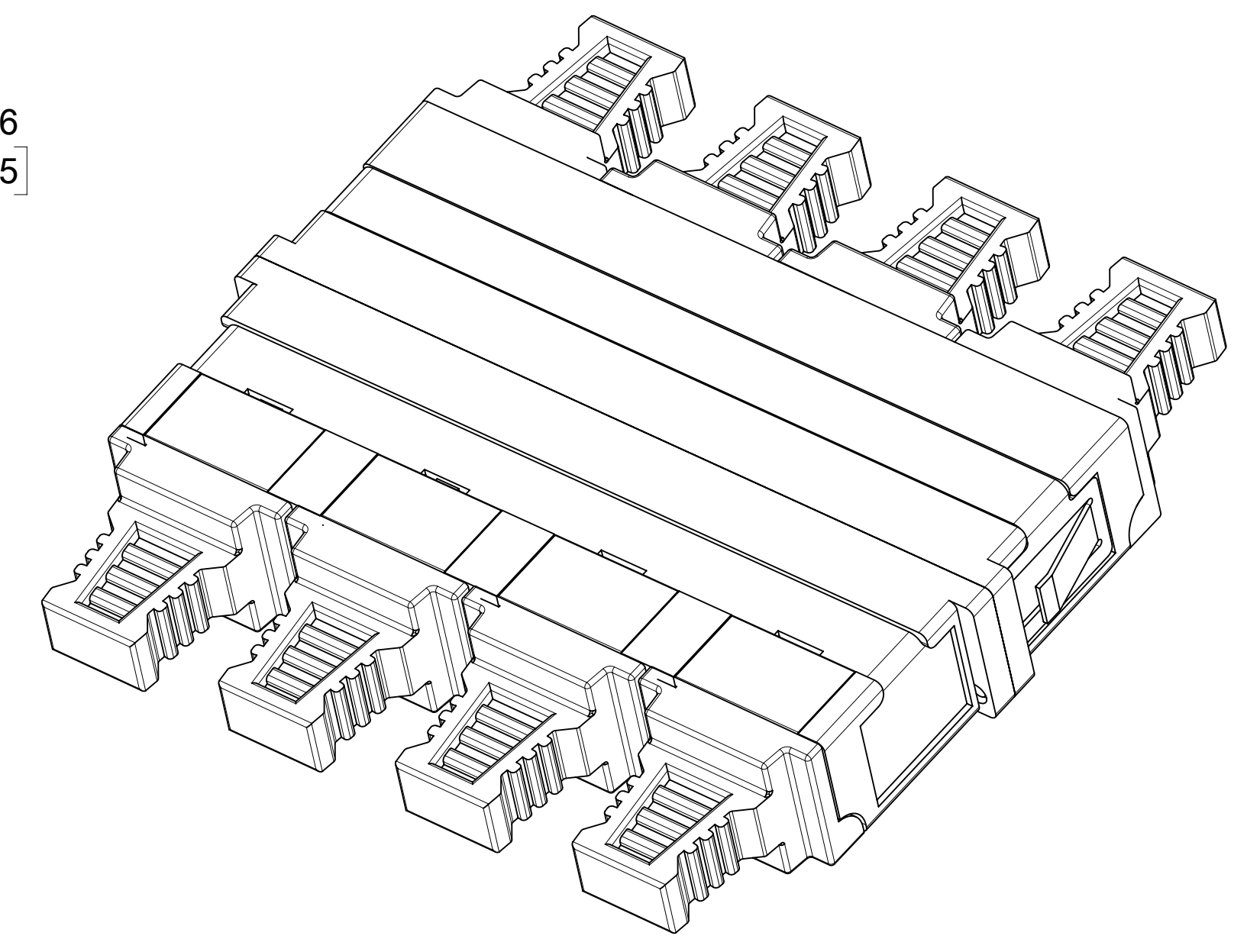
LC 8 PORT ADAPTER P/N	ADAPTER COLOR	SPLIT SLEEVE MATERIAL
106121-0460	GREEN	CERAMIC
106121-0470	BEIGE	PHOSPHOR BRONZE
106121-0480	AQUA	



SECTION Z-Z  
SCALE 10:1



RECOMMENDED  
MOUNTING PATTERN



ISO VIEW 2

NOTES:  
1. ALL DIMENSIONS ARE FOR REFERENCE.  
2. DUST CAPS SHOWN IN ISO VIEWS ONLY.

THIS DRAWING CONTAINS INFORMATION THAT IS PROPRIETARY TO MOLEX ELECTRONIC TECHNOLOGIES, LLC AND SHOULD NOT BE USED WITHOUT WRITTEN PERMISSION											
DIMENSION UNITS		SCALE		CURRENT REV DESC: OBSOLETE PART NO							
IN/MM		3:1									
GENERAL TOLERANCES (UNLESS SPECIFIED)										EC NO: 625872	
4 PLACES ±		±		DRWN: AKUMAR19		2019/08/26		<p>LC 8 PORT ADAPTER SNAP MOUNT INNER SHUTTERS</p> <p>PRODUCT CUSTOMER DRAWING</p>			
3 PLACES ±		±		CHK'D: GB		2019/11/06					
2 PLACES ±		±		APPR: GGA		2019/11/12					
1 PLACE ±		±		INITIAL REVISION:							
0 PLACES ±		±		DRWN: YBELENIY		2012/01/04		DOCUMENT NUMBER			
ANGULAR TOL ± °		°		APPR: WCHEN		2012/02/06		SD-106121-0450		DOC TYPE DOC PART REVISION	
DRAFT WHERE APPLICABLE MUST REMAIN WITHIN DIMENSIONS				THIRD ANGLE PROJECTION		DRAWING SERIES		MATERIAL NUMBER CUSTOMER		SHEET NUMBER	
						D-SIZE 106121		SEE TABLE		GENERAL MARKET 1 OF 1	