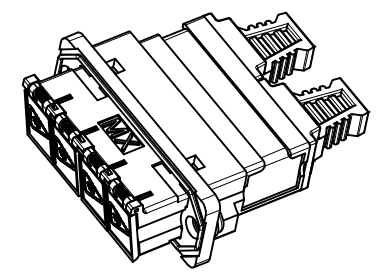
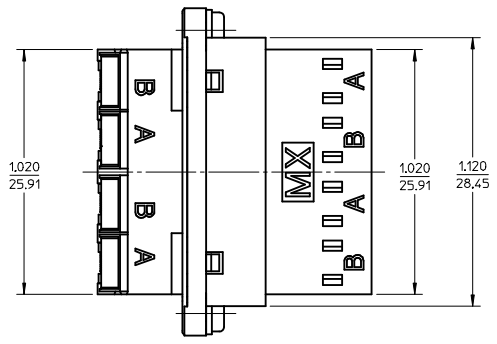
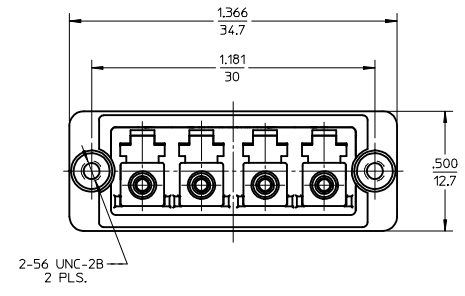
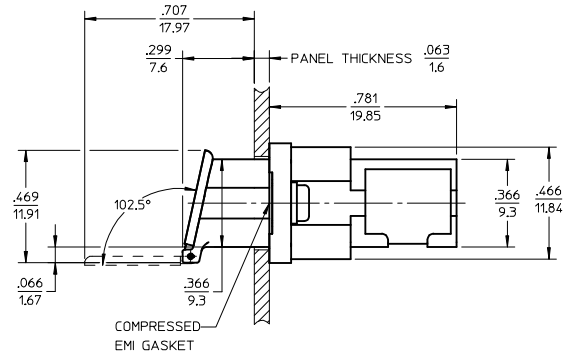
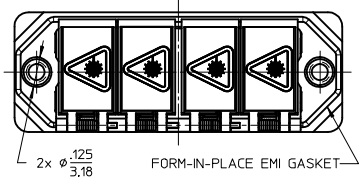


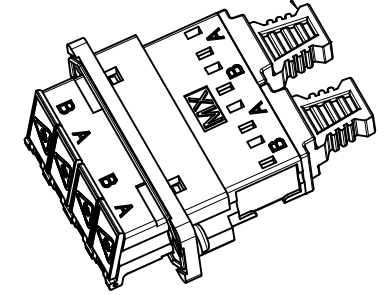
ADAPTER P/N	RECEPTACLE COLOR	LC DOOR COLOR
106123-0600	BLUE	BLUE
106123-0650	GREEN	GREEN



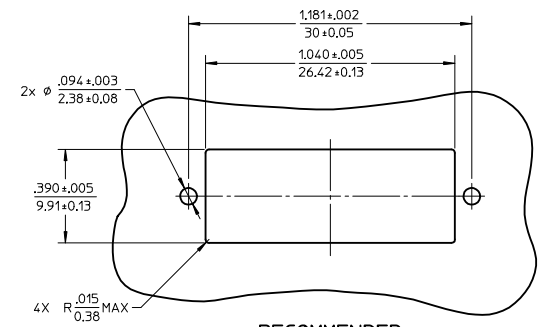
ISO VIEW 2
SCALE 2:1



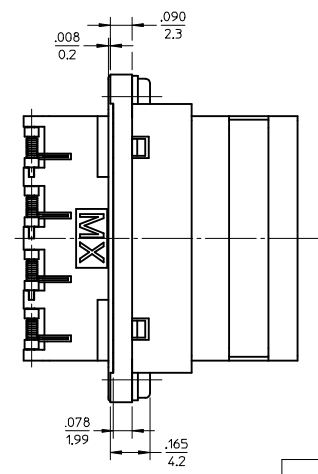
DUST CAP
2 PIECES



ISO VIEW 1
SCALE 2:1



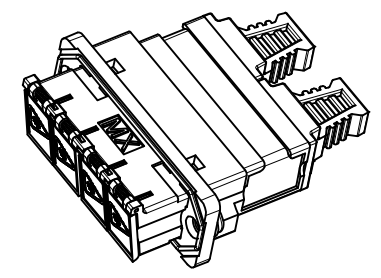
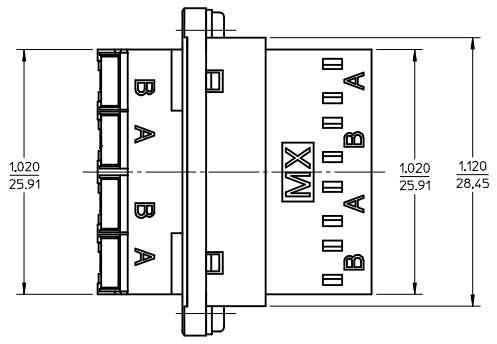
RECOMMENDED
MOUNTING PATTERN



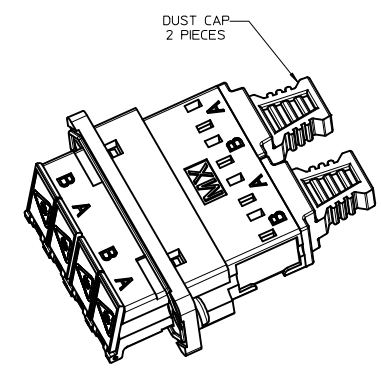
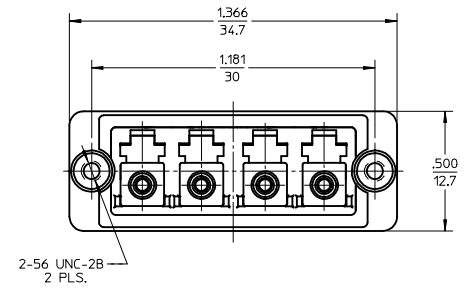
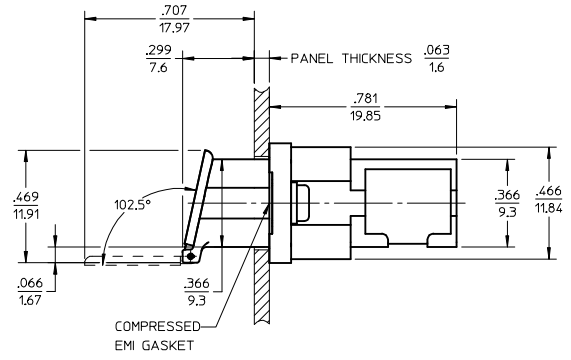
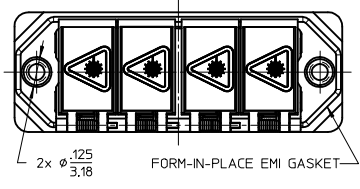
- NOTES:
- ALL DIMENSIONS ARE FOR REFERENCE.
 - TWO DUST CAPS SHOWN IN ISOMETRIC VIEWS ONLY.
 - LC EMI QUAD ADAPTER HAS SC DUPLEX ADAPTER FOOTPRINT.

ENTER DESCRIPTION EC NO: MF2013-0264 DRW:KPEVZNER 2012/11/09 CHKD: APPR: IGJMIN 2012/11/09	QUALITY SYMBOLS ▽=0 ▽=0 ▽=0	GENERAL TOLERANCES (UNLESS SPECIFIED)		DIMENSION STYLE IN/MM		SCALE 2.5:1	DESIGN UNITS INCH	THIRD ANGLE PROJECTION	
		4 PLACES ± --- ± ---	3 PLACES ± --- ± ---	2 PLACES ± --- ± ---	1 PLACE ± --- ± ---	0 PLACE ± --- ± ---	DRAWN BY YB	DATE 3.03.06	TITLE LC EMI QUAD ADAPTER SCREW MOUNT
C2	DESCRIPTION REV	ANGULAR ± --- °		MATERIAL NO. IGJMIN		DATE 2010/02/23		DOCUMENT NO. SD-106123-0600	
		DRAFT WHERE APPLICABLE MUST REMAIN WITHIN DIMENSIONS		SEE TABLE		THIS DRAWING CONTAINS INFORMATION THAT IS PROPRIETARY TO MOLEX INCORPORATED AND SHOULD NOT BE USED WITHOUT WRITTEN PERMISSION		SHEET NO. 1 OF 1	

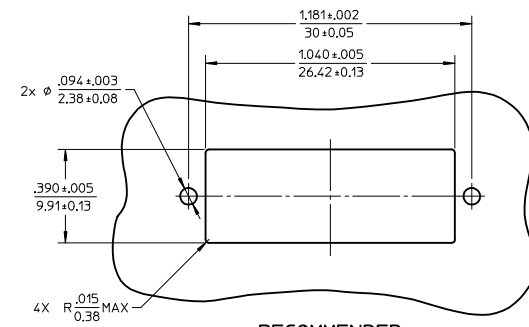
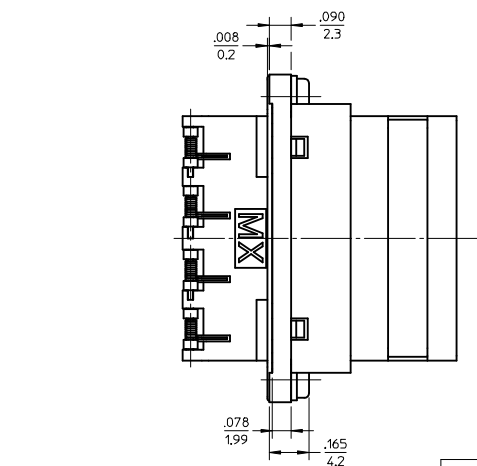
ADAPTER P/N	RECEPTACLE COLOR	LC DOOR COLOR
106123-0600	BLUE	BLUE
106123-0650	GREEN	GREEN



ISO VIEW 2
SCALE 2:1



ISO VIEW 1
SCALE 2:1



RECOMMENDED
MOUNTING PATTERN

- NOTES:
- ALL DIMENSIONS ARE FOR REFERENCE.
 - TWO DUST CAPS SHOWN IN ISOMETRIC VIEWS ONLY.
 - LC EMI QUAD ADAPTER HAS SC DUPLEX ADAPTER FOOTPRINT.

ENTER DESCRIPTION EC NO: MF2013-0264 DRW:KPEVZNER 2012/11/09 CHKD: APPR: IGJMIN 2012/11/09	QUALITY SYMBOLS ▽=0 ▽=0 ▽=0	GENERAL TOLERANCES (UNLESS SPECIFIED)		DIMENSION STYLE IN/MM		SCALE 2.5:1	DESIGN UNITS INCH	THIRD ANGLE PROJECTION	
		4 PLACES ±	3 PLACES ±	2 PLACES ±	1 PLACE ±	0 PLACE ±	DRAWN BY YB	DATE 3.03.06	TITLE LC EMI QUAD ADAPTER SCREW MOUNT
C2	DESCRIPTION REV	ANGULAR ±---°		MATERIAL NO.		DOCUMENT NO.		SHEET NO.	
		DRAFT WHERE APPLICABLE MUST REMAIN WITHIN DIMENSIONS		SEE TABLE		SD-106123-0600		1 OF 1	
THIS DRAWING CONTAINS INFORMATION THAT IS PROPRIETARY TO MOLEX INCORPORATED AND SHOULD NOT BE USED WITHOUT WRITTEN PERMISSION									