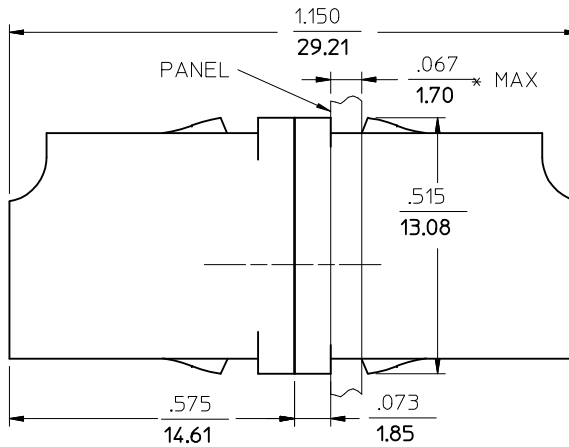
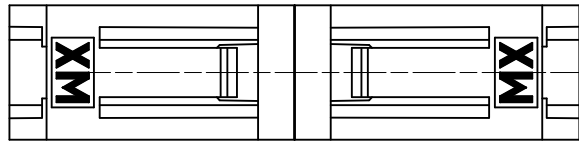
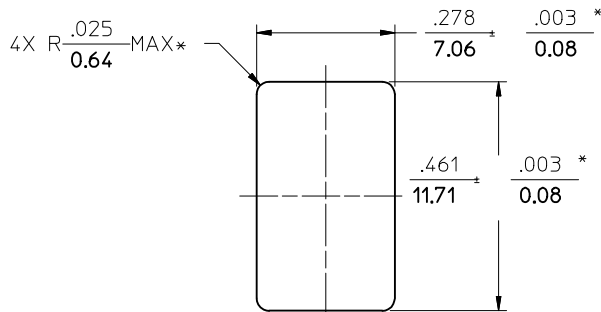
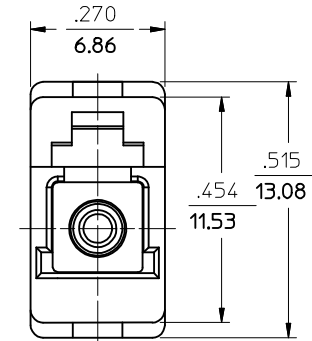


ADAPTER P/N	COLOR	SPLIT SLEEVE MATERIAL
106124-1100	BLUE	ZIRCONIA - ZrO <sub>2</sub>
106124-0110	BEIGE	Ph. Bronze
106124-1150	GREEN	ZIRCONIA - ZrO <sub>2</sub>
106124-0100	BLUE	Ph. Bronze
106124-1110	BEIGE	ZIRCONIA - ZrO <sub>2</sub>
106124-1130	BLACK	ZIRCONIA - ZrO <sub>2</sub>



(DUST CAPS ARE NOT SHOWN)



RECOMMENDED PANEL CUTOUT  
 PANEL THICKNESS  $\frac{.067}{1.70}$  MAX.

NOTES:  
 1. ALL DIMENSIONS ARE FOR REFERENCE ONLY,  
 EXCEPT WHEN MARKED WITH (\*).

<b>ENTER DESCRIPTION</b> EC NO: MF2010-0131 DRAWN: YBEDNYAK 2009/09/25 CHKD: 2009/09/25 APPR: LGUMIN 2009/09/25 <b>B</b>	<b>QUALITY SYMBOLS</b> = 0 = 0	<b>GENERAL TOLERANCES (UNLESS SPECIFIED)</b> <table border="1"> <thead> <tr> <th></th> <th>mm</th> <th>INCH</th> </tr> </thead> <tbody> <tr> <td>4 PLACES</td> <td>± .000</td> <td>± .000</td> </tr> <tr> <td>3 PLACES</td> <td>± .000</td> <td>± .000</td> </tr> <tr> <td>2 PLACES</td> <td>± .000</td> <td>± .000</td> </tr> <tr> <td>1 PLACE</td> <td>± .000</td> <td>± .000</td> </tr> </tbody> </table>		mm	INCH	4 PLACES	± .000	± .000	3 PLACES	± .000	± .000	2 PLACES	± .000	± .000	1 PLACE	± .000	± .000	<b>DIMENSION STYLE</b> IN/MM	<b>SCALE</b> 1:1	<b>DESIGN UNITS</b> INCH	<b>THIRD ANGLE PROJECTION</b>
		mm	INCH																		
	4 PLACES	± .000	± .000																		
	3 PLACES	± .000	± .000																		
2 PLACES	± .000	± .000																			
1 PLACE	± .000	± .000																			
<b>DESCRIPTION</b>	<b>APPROVED BY</b>	<b>DATE</b>	<b>TITLE</b> LC ADAPTER	<b>MOLEX INCORPORATED</b>																	
<b>DRAFT WHERE APPLICABLE MUST REMAIN WITHIN DIMENSIONS</b>	<b>MATERIAL NO.</b> SEE TABLE	<b>DOCUMENT NO.</b> SD-106124-X1X0	<b>SHEET NO.</b> 1 OF 01																		
<b>THIS DRAWING CONTAINS INFORMATION THAT IS PROPRIETARY TO MOLEX INCORPORATED AND SHOULD NOT BE USED WITHOUT WRITTEN PERMISSION</b>																					