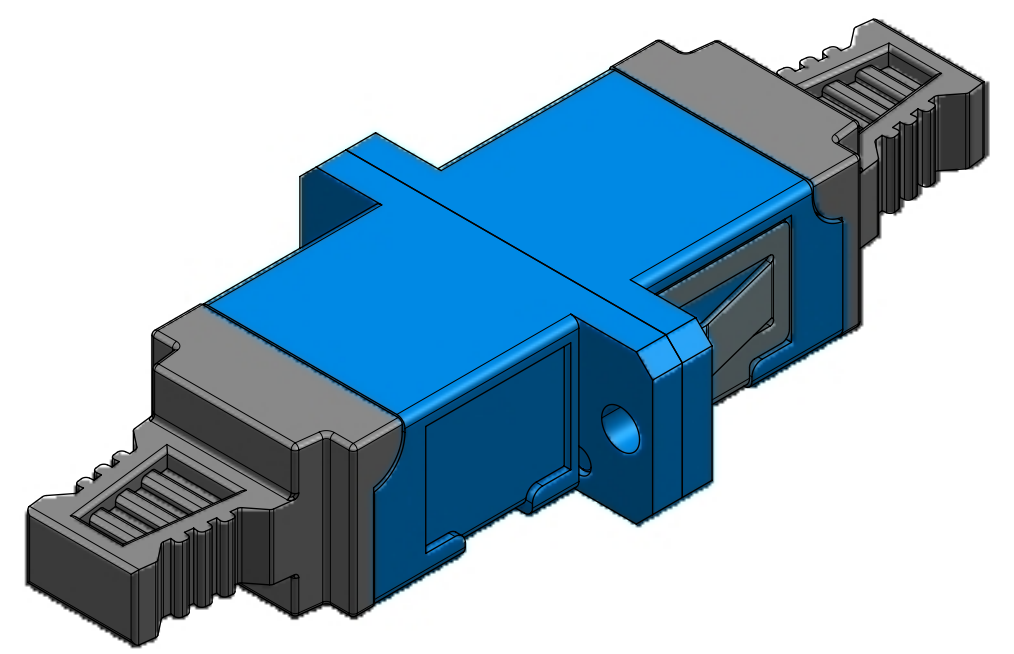
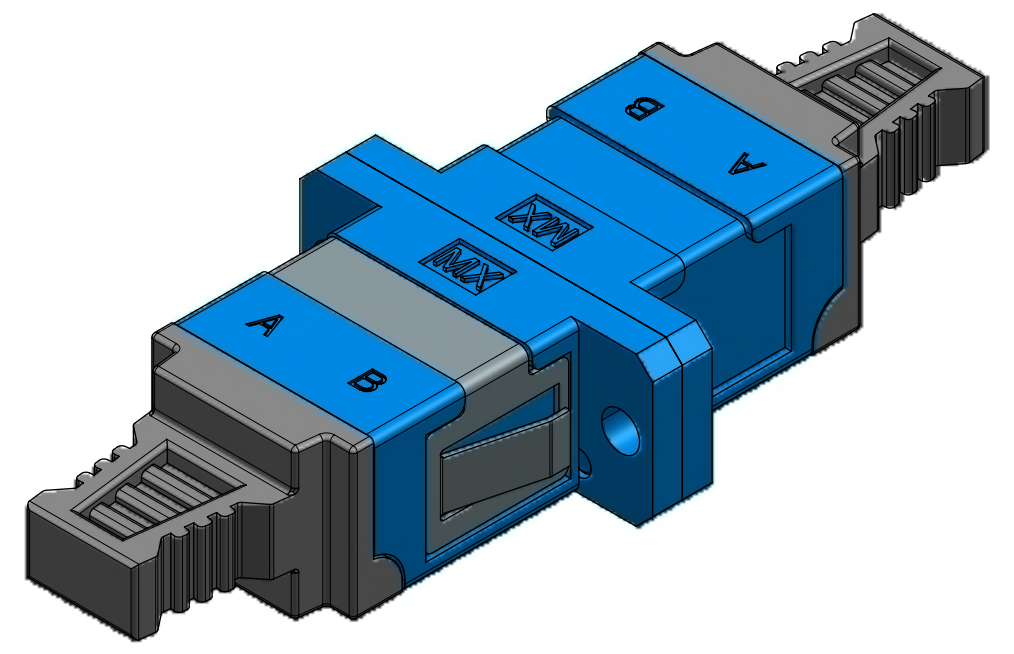
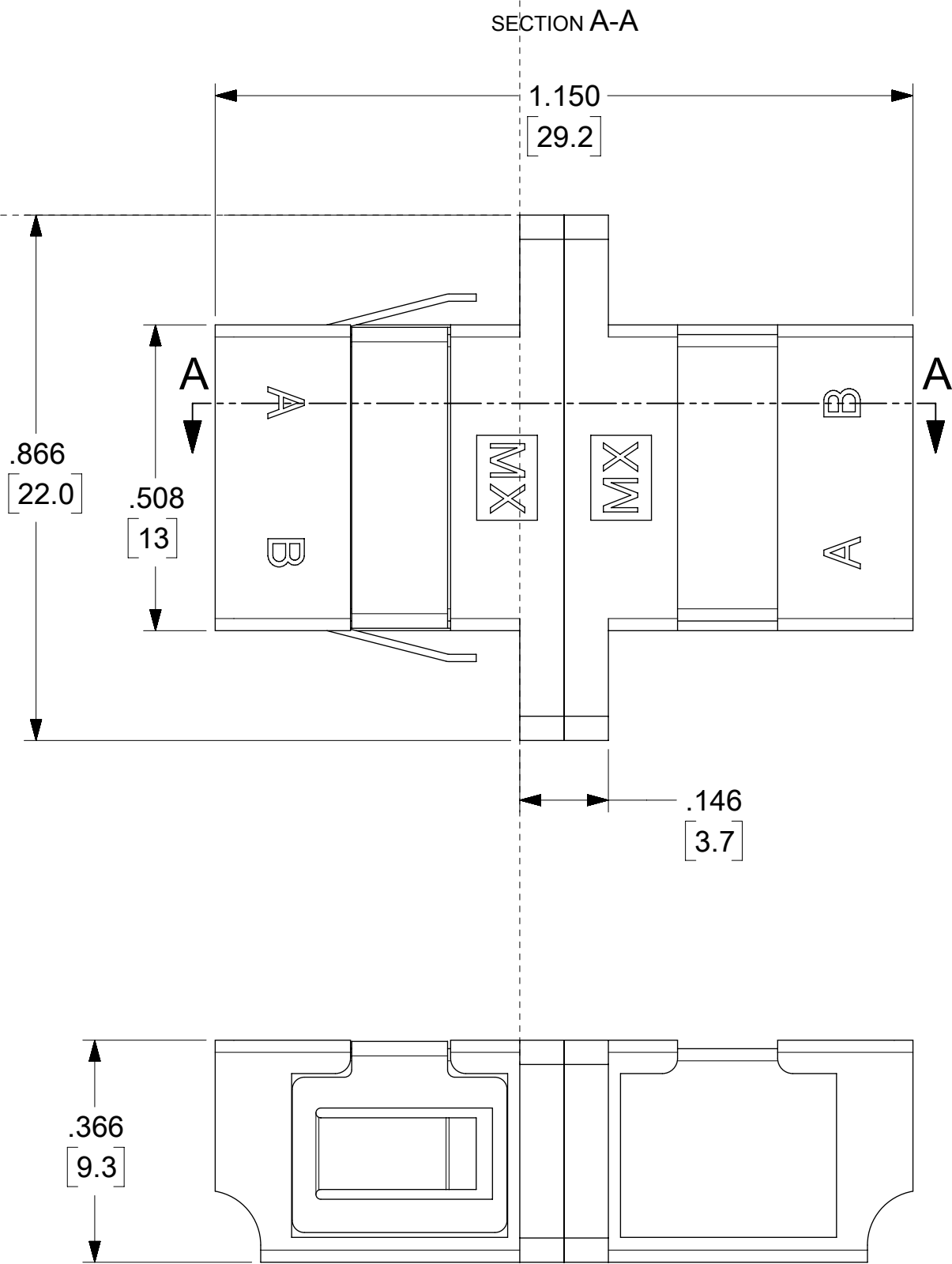
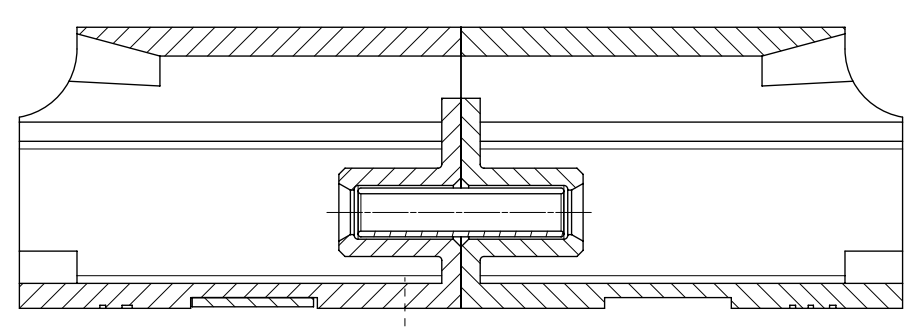
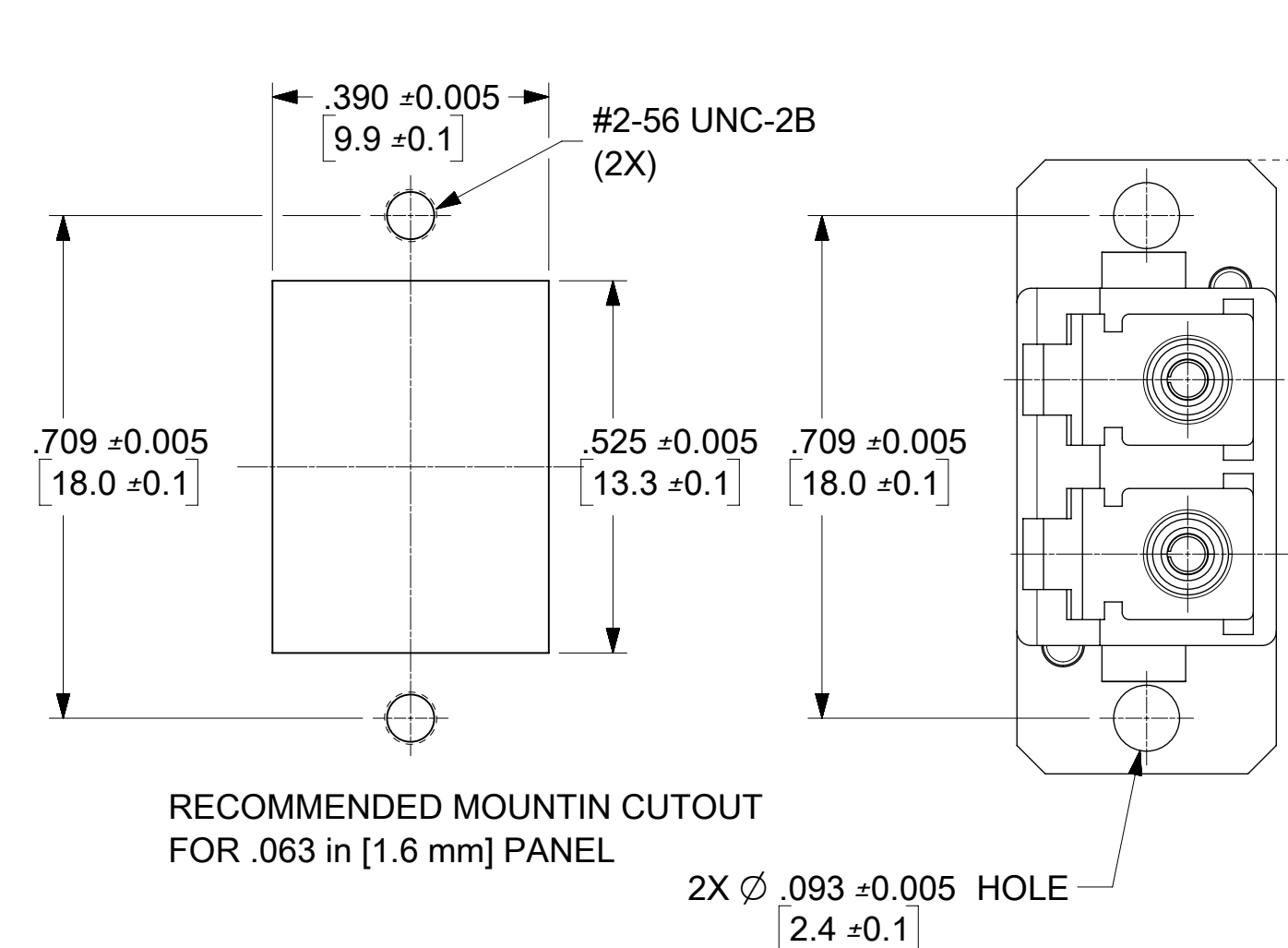


LC ADAPTER P/N	ADAPTER COLOR	LC SLEEVE MATERIAL
1061261300	BLUE	Zr
1061261310 (see note 3)		
1061260310	BEIGE	Ph Bronze
1061260320 (see note 3)		
1061261350	GREEN	Zr
1061261320 (see note 3)		
1061261330		
1061261340	BLACK	



- NOTES:
1. ALL DIMENSIONS WITHOUT TOLERANCE ARE FOR REFERENCE ONLY.
  2. DUST CAPS ARE SHOWN IN ISOMETRIC VIEWS ONLY.
  3. P/NS 1061260320 & 1061261310 ARE BULK PACKED IN QUANTITIES OF 100 pcs.  
P/N 1061261320 IS BULK PACKED IN QUANTITY OF 25pcs.

<b>FUNCTIONAL SYMBOLS</b> $\nabla_A = 0$ $\nabla_C = 0$ $\nabla_P = 0$	THIS DRAWING CONTAINS INFORMATION THAT IS PROPRIETARY TO MOLEX ELECTRONIC TECHNOLOGIES, LLC AND SHOULD NOT BE USED WITHOUT WRITTEN PERMISSION		CURRENT REV DESC:			
	DIMENSION UNITS	SCALE	EC NO: 634770			
	INCH/MM	4:1	DRWN: IGUMIN 2020/03/26			
	GENERAL TOLERANCES (UNLESS SPECIFIED)		CHK'D: WCHEN 2020/03/27			
<b>DIVISIONAL SYMBOLS</b> 4 PLACES ± 3 PLACES ± 0.005 2 PLACES ± 1 PLACE ± 0 PLACES ±	ANGULAR TOL ± °	APPR: WCHEN 2020/03/27		PRODUCT CUSTOMER DRAWING		
	INITIAL REVISION:		DOCUMENT NUMBER	DOC TYPE	DOC PART	REVISION
	DRWN: PGIBLIN 2005/10/25		SD-106126-X3X0	PSD	001	A3
	APPR: IGUMIN 2005/10/26		MATERIAL NUMBER	CUSTOMER	SHEET NUMBER	
DRAFT WHERE APPLICABLE MUST REMAIN WITHIN DIMENSIONS		THIRD ANGLE PROJECTION	DRAWING	SERIES	SEE TABLE	
			C-SIZE	106126	1 OF 1	