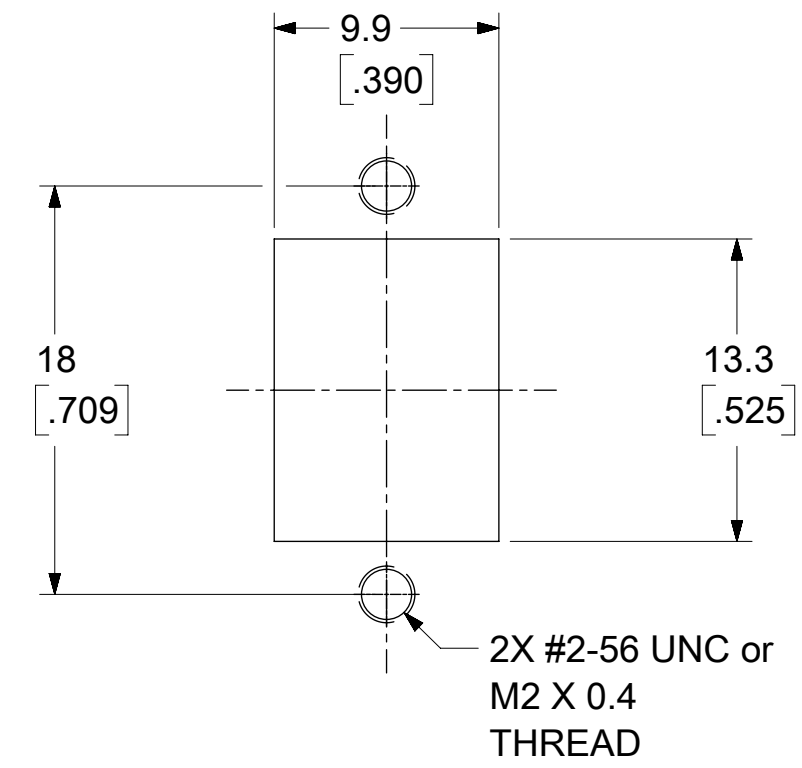
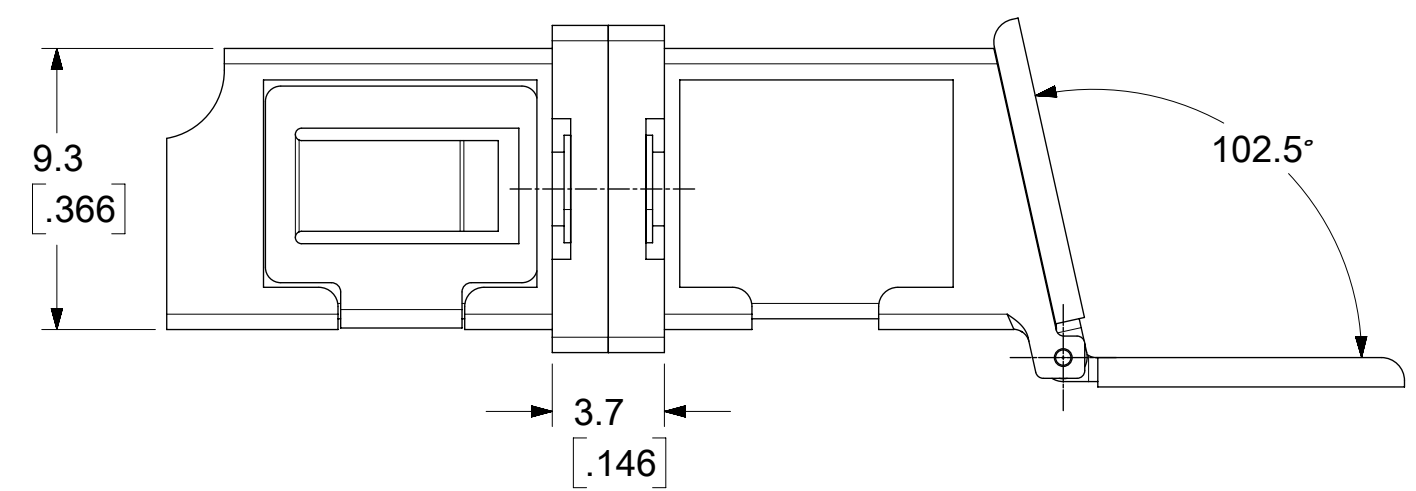
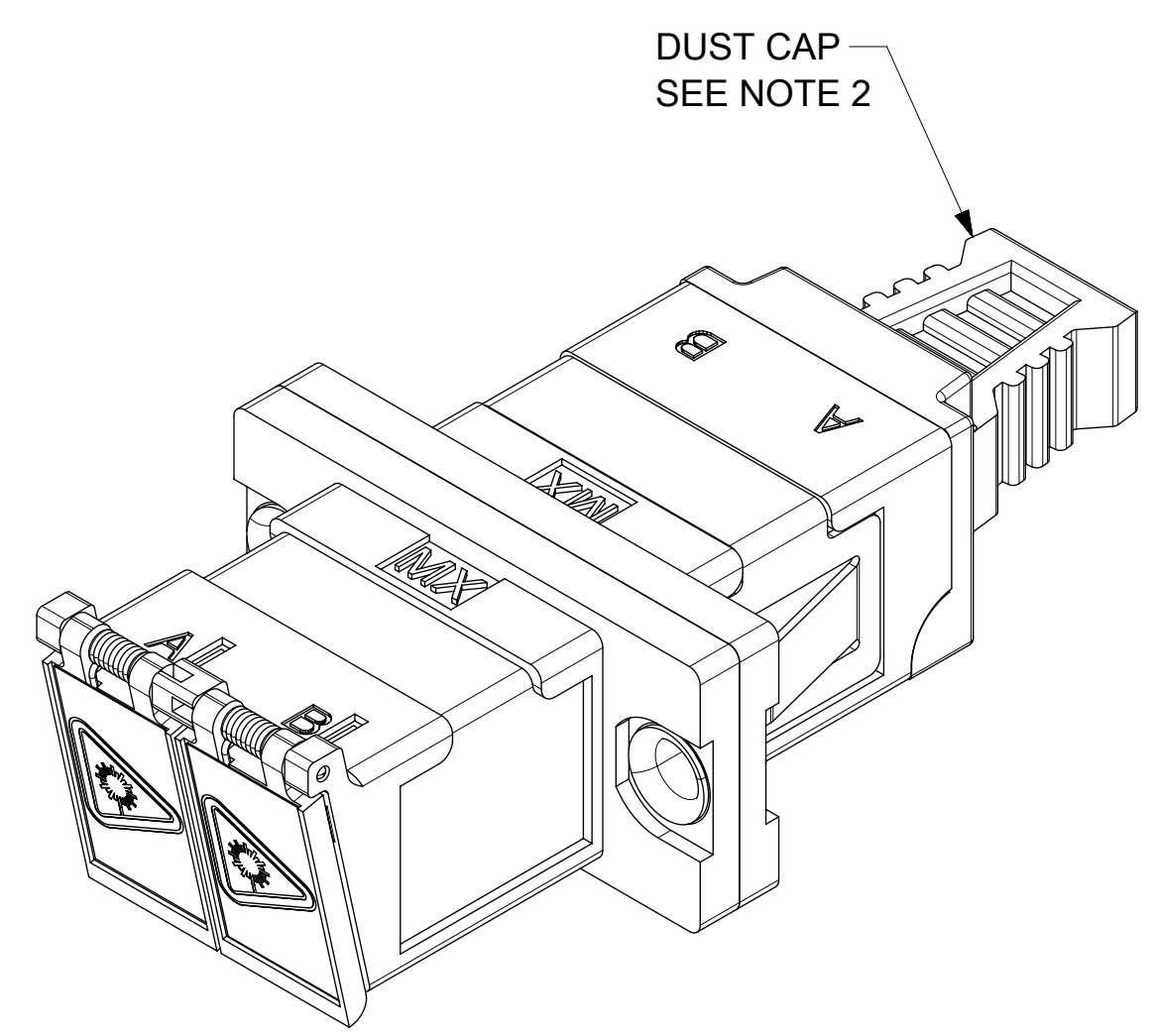
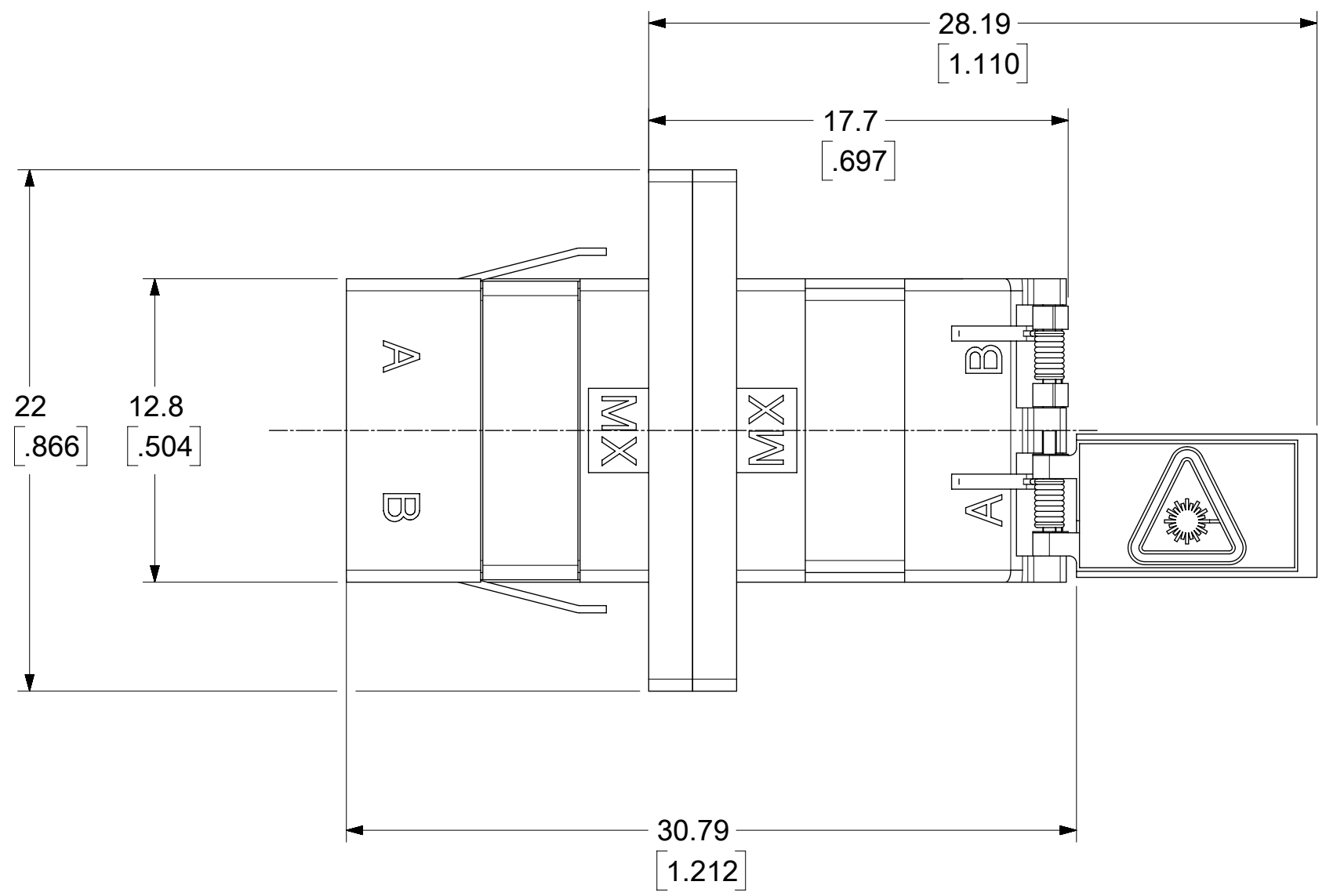
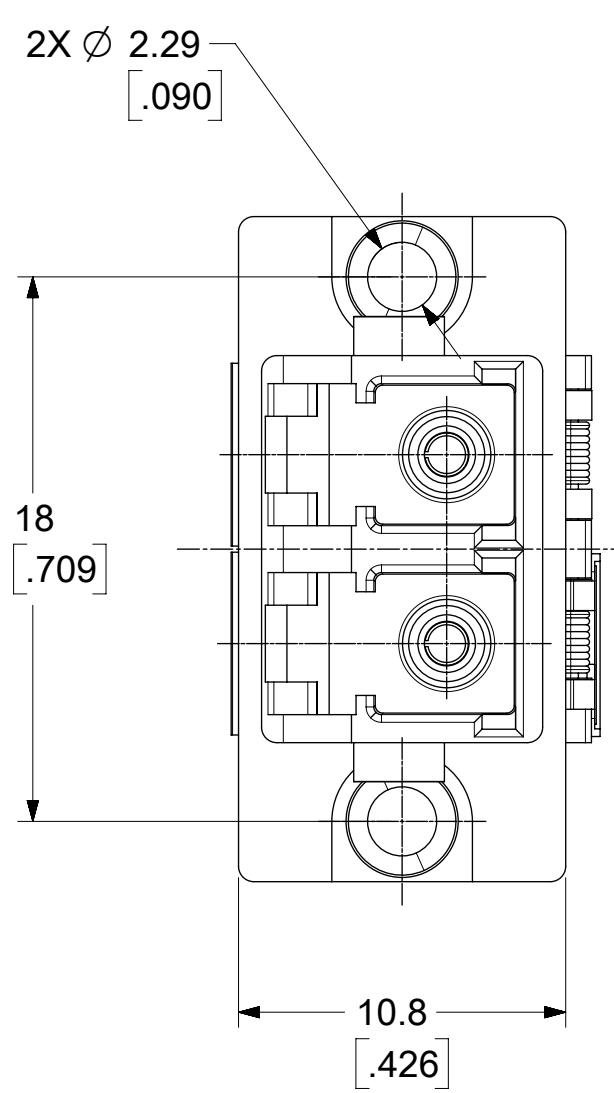


12	11
LC ADAPTER ASSY. P/N	LC SLEEVE MATERIAL
1061270590	PH. BRONZE
1061271590	ZR



RECOMMENDED MOUNTING CUTOUT
FOR 1.60 [.063] THICK PANEL



- NOTES:
1. ALL DIMENSIONS ARE FOR REFERENCE ONLY.
 2. DUST CAP IS SHOWN IN ISO VIEW ONLY.
 3. ADAPTER TO BE PACKAGED IN TRAY.

THIS DRAWING CONTAINS INFORMATION THAT IS PROPRIETARY TO MOLEX ELECTRONIC TECHNOLOGIES, LLC AND SHOULD NOT BE USED WITHOUT WRITTEN PERMISSION									
DIMENSION UNITS		SCALE		CURRENT REV DESC: MIGRATED TO NX					
MM/IN		4:1		<p>METAL LC DUPLEX ADAPTER SCREW AND SNAP MOUNT, SC FOOTPRINT</p> <p>PRODUCT CUSTOMER DRAWING</p>					
GENERAL TOLERANCES (UNLESS SPECIFIED)									
ANGULAR TOL ± 0.5°									
4 PLACES ±		EC NO: 619398							
3 PLACES ±		DRWN: NMUTHARAYAPP 2019/03/26							
2 PLACES ±		CHK'D: WCHEN 2019/07/04							
1 PLACE ±		APPR: WCHEN 2019/07/04							
0 PLACES ±		INITIAL REVISION:		DOCUMENT NUMBER		DOC TYPE		DOC PART	
DRAFT WHERE APPLICABLE MUST REMAIN WITHIN DIMENSIONS		THIRD ANGLE PROJECTION		DRAWING		SERIES		MATERIAL NUMBER	
				C-SIZE		106127		CUSTOMER	
								GENERAL MARKET	
								SHEET NUMBER	
								1 OF 1	

DOCUMENT STATUS	P1	RELEASE DATE	2019/07/04	01:08:05
-----------------	----	--------------	------------	----------