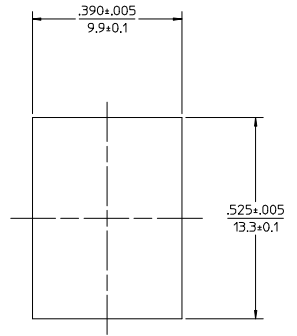
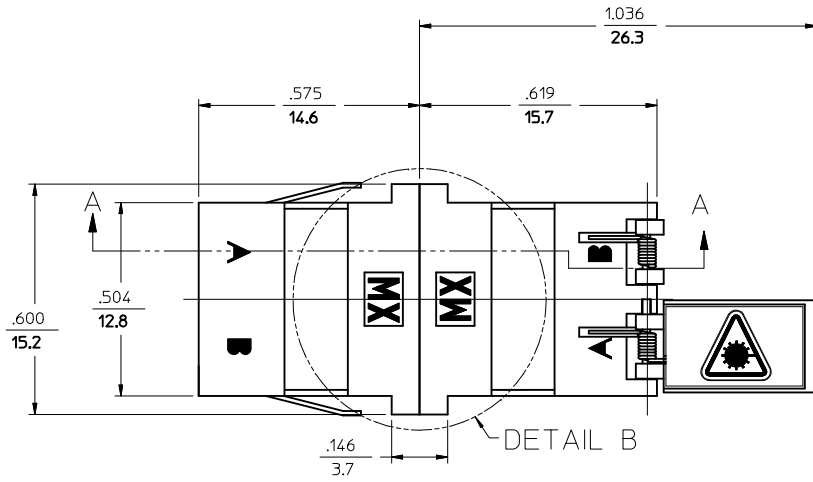
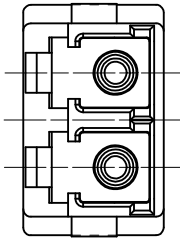
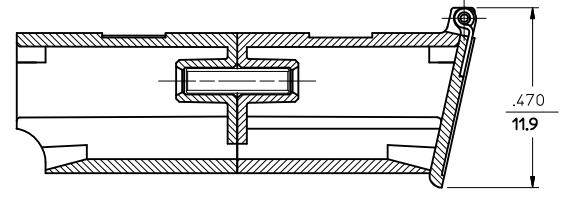


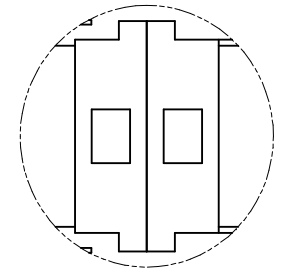
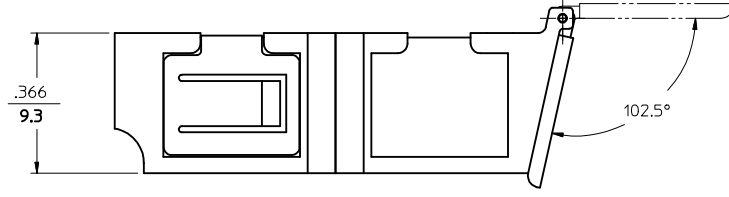
LC ADAPTER P/N	COLOR	SPLIT SLEEVE MATERIAL	LOGO
106127-1400	BLUE	Zr	MX
106127-1430*			
106127-1420 (SEE NOTE 2)			
106127-0410	BEIGE	Ph. Bronze	
106127-1450	GREEN	Zr	
106127-1480 (SEE NOTE 2)			
106127-1600	BLUE/METAL DOOR	Zr	
106127-0610	BEIGE/METAL DOOR	Ph. Bronze	
106127-1650	GREEN/METAL DOOR	Zr	
106127-1410	BLACK	Zr	
106127-9410*	AQUA	Ph. Bronze	
106127-9010**	GREEN	Zr	
106127-1950*			
106198-2400	BLUE	Ph. Bronze	
106127-9020**	BEIGE		
106198-2410	AQUA/METAL DOOR		
106127-9000**	BEIGE	Ph. Bronze	
106127-1610	AQUA/METAL DOOR	Ph. Bronze	MX
106127-9030	AQUA	Zr	NONE



RECOMMENDED MOUNTING CUTOUT FOR .063 MAX. THICK PANEL



SECTION A-A



DETAIL B (NO LOGO VERSION)

NOTES:

- DUST CAPS ARE NOT SHOWN, BUT INCLUDED.
- FOR P/NS 106127-1420 AND 106127-1480 LASER WARNING LABEL IS SUPPLIED UNATTACHED AND SHALL BE INSTALLED BY CUSTOMER.
- \*3. P/NS 106127-9410, 106127-1950 AND 106127-1430 ARE BULK PACKED IN QUANTITIES OF 100pcs.
- \*\*4. P/NS 106127-9000, 106127-9010 AND 106127-9020 ARE FIRST INDIVIDUALLY PACKED IN CLEAR NON-MARKED BAGS AND THEN BULK PACKED IN QUANTITIES OF 100pcs.

ENTER DESCRIPTION EC NO: MF2009-0646 DRAWN: DRWINKPEVZNER CHKD: 2009/06/03 APPR: IGJMIN REV: 2009/06/05	QUALITY SYMBOLS ▽=0 ▽=0	GENERAL TOLERANCES (UNLESS SPECIFIED)		DIMENSION STYLE IN/MM	SCALE 1:1	DESIGN UNITS INCH	THIRD ANGLE PROJECTION
		4 PLACES ± --- ± ---	3 PLACES ± --- ± ---	DRAWN BY PGIBLIN	DATE 2005/10/05	TITLE LC DUPLEX ADAPTER W/ SHUTTERS (SMALL FLANGE/SC FOOT PRINT)	
		2 PLACES ± --- ± ---	1 PLACE ± --- ± ---	CHECKED BY	DATE	MOLEX INCORPORATED	
		ANGULAR ±1/2°		APPROVED BY	DATE	MATERIAL NO. SEE TABLE	DOCUMENT NO. SD-106127-YYYO
		DRAFT WHERE APPLICABLE MUST REMAIN WITHIN DIMENSIONS		SIZE C	THIS DRAWING CONTAINS INFORMATION THAT IS PROPRIETARY TO MOLEX INCORPORATED AND SHOULD NOT BE USED WITHOUT WRITTEN PERMISSION		
							SHEET NO. 1 OF 1