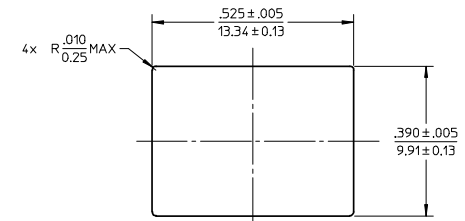
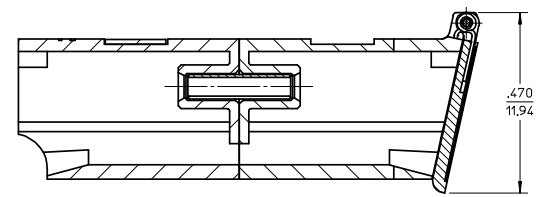
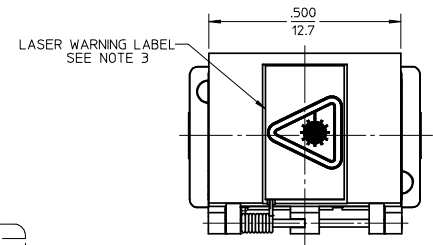
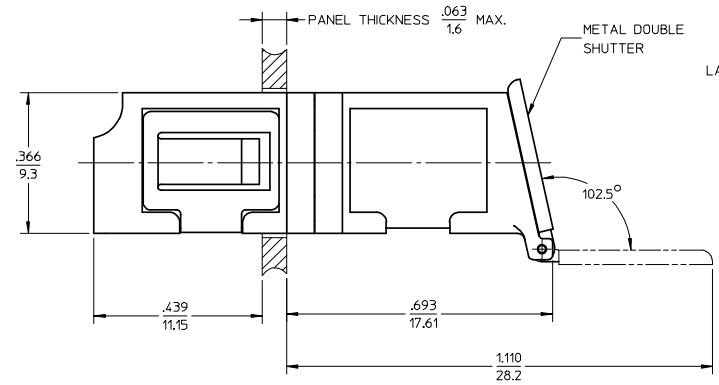
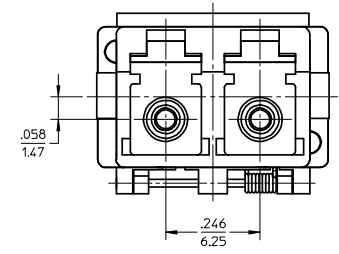


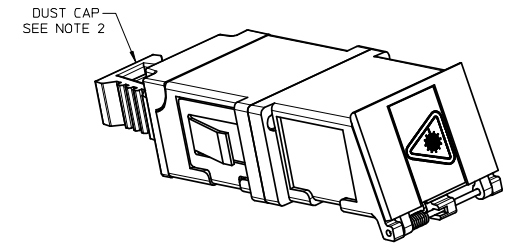
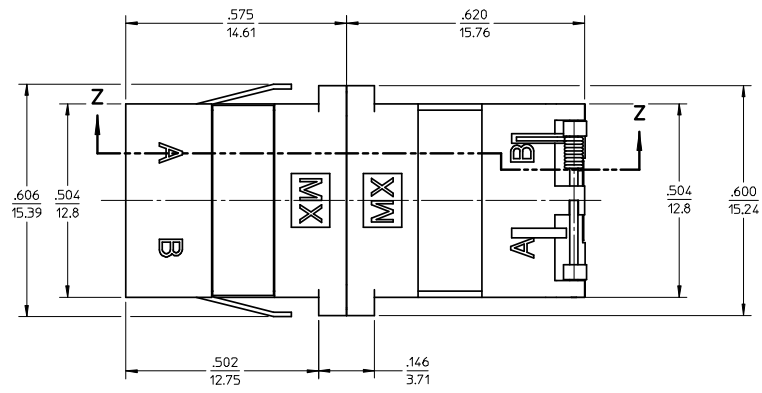
LC ADAPTER P/N	COLOR	SPLIT SLEEVE MATERIAL
106127-1407	BLUE	ZR
106127-1408	BEIGE	PH. BRONZE
106127-1421	GREEN	ZR



RECOMMENDED MOUNTING CUTOUT
 PANEL THICKNESS .063"/1.6 mm MAX.



SECTION Z-Z

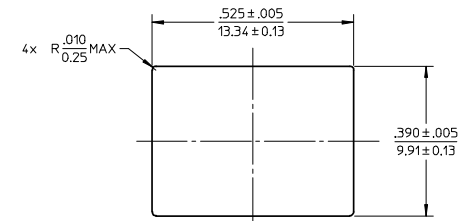


ISO VIEW
 SCALE 3:1

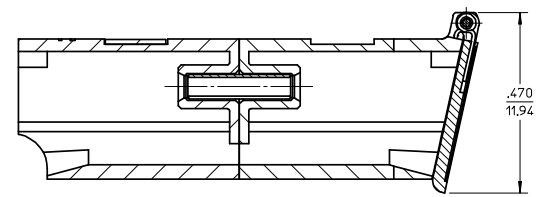
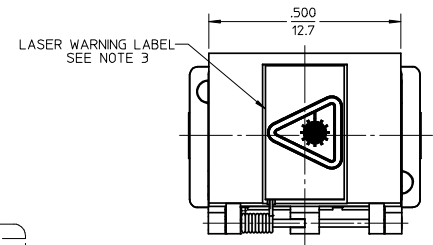
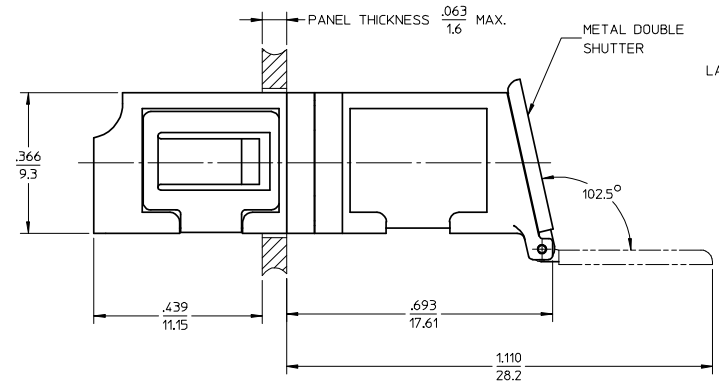
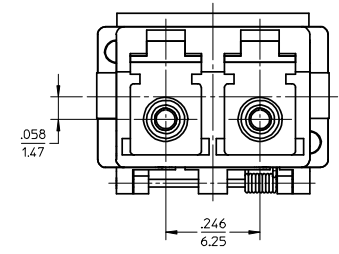
- NOTES:
1. ALL DIMENSIONS ARE FOR REFERENCE.
 2. DUST CAP SHOWN IN ISO VIEW ONLY.
 3. P/N 106127-1403 SHALL BE BULK PACKED IN QUANTITY OF 100 PCS.
 4. FOR P/N 106127-1404 LASER WARNING LABEL IS SUPPLIED UNATTACHED WITH ADAPTER AND SHALL BE INSTALLED BY CUSTOMER.

ENTER DESCRIPTION EC NO: MF2008-0325 DRWN: IGUMIN 2008/02/13 CHKD: 2008/02/13 APPR: IGUMIN 2008/02/13 REV: A1	QUALITY SYMBOLS ▽=0 ▽=0	GENERAL TOLERANCES (UNLESS SPECIFIED) <table border="1"> <thead> <tr> <th></th> <th>mm</th> <th>INCH</th> </tr> </thead> <tbody> <tr> <td>4 PLACES</td> <td>± .005</td> <td>± .0004</td> </tr> <tr> <td>3 PLACES</td> <td>± .003</td> <td>± .0002</td> </tr> <tr> <td>2 PLACES</td> <td>± .002</td> <td>± .0001</td> </tr> <tr> <td>1 PLACE</td> <td>± .001</td> <td>± .00005</td> </tr> </tbody> </table>		mm	INCH	4 PLACES	± .005	± .0004	3 PLACES	± .003	± .0002	2 PLACES	± .002	± .0001	1 PLACE	± .001	± .00005	DIMENSION STYLE IN/MM DRAWN BY: IGUMIN DATE: 2008/02/11 CHECKED BY: DATE:	SCALE: 4:1 DESIGN UNITS: INCH THIRD ANGLE PROJECTION
		mm	INCH																
	4 PLACES	± .005	± .0004																
	3 PLACES	± .003	± .0002																
2 PLACES	± .002	± .0001																	
1 PLACE	± .001	± .00005																	
DRAFT WHERE APPLICABLE MUST REMAIN WITHIN DIMENSIONS	MATERIAL NO. SEE TABLE SIZE: C	APPROVED BY: IGUMIN DATE: 2008/02/11 DOCUMENT NO. SD-106127-14XX SHEET NO. 1 OF 1	TITLE: LC DUPLEX ADAPTER, METAL DOUBLE SHUTTER, SMALL FLANGE, SNAP MOUNT MOLEX INCORPORATED																
THIS DRAWING CONTAINS INFORMATION THAT IS PROPRIETARY TO MOLEX INCORPORATED AND SHOULD NOT BE USED WITHOUT WRITTEN PERMISSION																			

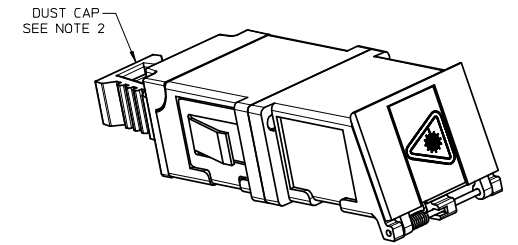
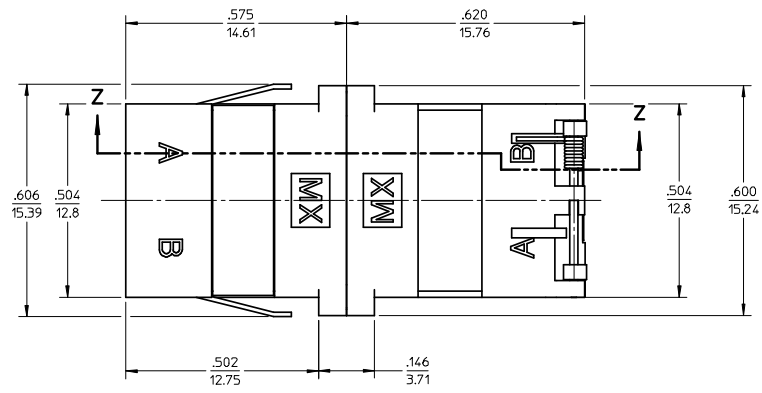
LC ADAPTER P/N	COLOR	SPLIT SLEEVE MATERIAL
106127-1407	BLUE	ZR
106127-1408	BEIGE	PH. BRONZE
106127-1421	GREEN	ZR



RECOMMENDED MOUNTING CUTOUT
 PANEL THICKNESS .063"/1.6 mm MAX.



SECTION Z-Z



ISO VIEW
 SCALE 3:1

- NOTES:
1. ALL DIMENSIONS ARE FOR REFERENCE.
 2. DUST CAP SHOWN IN ISO VIEW ONLY.
 3. P/N 106127-1403 SHALL BE BULK PACKED IN QUANTITY OF 100 PCS.
 4. FOR P/N 106127-1404 LASER WARNING LABEL IS SUPPLIED UNATTACHED WITH ADAPTER AND SHALL BE INSTALLED BY CUSTOMER.

ENTER DESCRIPTION EC NO: MF2008-0325 DRWN: IGUMIN 2008/02/13 CHKD: 2008/02/13 APPR: IGUMIN 2008/02/13 REV: A1	QUALITY SYMBOLS ▽=0 ▽=0	GENERAL TOLERANCES (UNLESS SPECIFIED) <table border="1"> <thead> <tr> <th></th> <th>mm</th> <th>INCH</th> </tr> </thead> <tbody> <tr> <td>4 PLACES</td> <td>± ---</td> <td>± ---</td> </tr> <tr> <td>3 PLACES</td> <td>± ---</td> <td>± ---</td> </tr> <tr> <td>2 PLACES</td> <td>± ---</td> <td>± ---</td> </tr> <tr> <td>1 PLACE</td> <td>± ---</td> <td>± ---</td> </tr> </tbody> </table>		mm	INCH	4 PLACES	± ---	± ---	3 PLACES	± ---	± ---	2 PLACES	± ---	± ---	1 PLACE	± ---	± ---	DIMENSION STYLE IN/MM DRAWN BY: IGUMIN DATE: 2008/02/11 CHECKED BY: DATE:	SCALE: 4:1 DESIGN UNITS: INCH THIRD ANGLE PROJECTION
		mm	INCH																
	4 PLACES	± ---	± ---																
	3 PLACES	± ---	± ---																
2 PLACES	± ---	± ---																	
1 PLACE	± ---	± ---																	
DRAFT WHERE APPLICABLE MUST REMAIN WITHIN DIMENSIONS	MATERIAL NO. SEE TABLE	APPROVED BY: IGUMIN DATE: 2008/02/11	TITLE: LC DUPLEX ADAPTER, METAL DOUBLE SHUTTER SMALL FLANGE, SNAP MOUNT	MOLEX INCORPORATED															
	SIZE: C	THIS DRAWING CONTAINS INFORMATION THAT IS PROPRIETARY TO MOLEX INCORPORATED AND SHOULD NOT BE USED WITHOUT WRITTEN PERMISSION	DOCUMENT NO. SD-106127-14XX	SHEET NO. 1 OF 1															