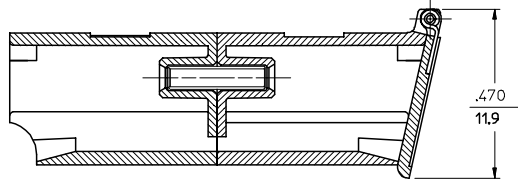
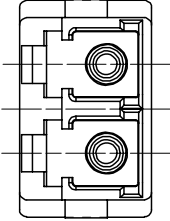
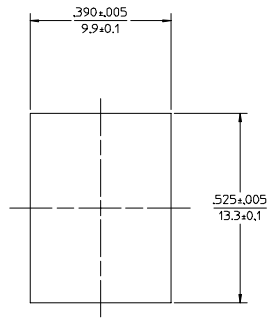
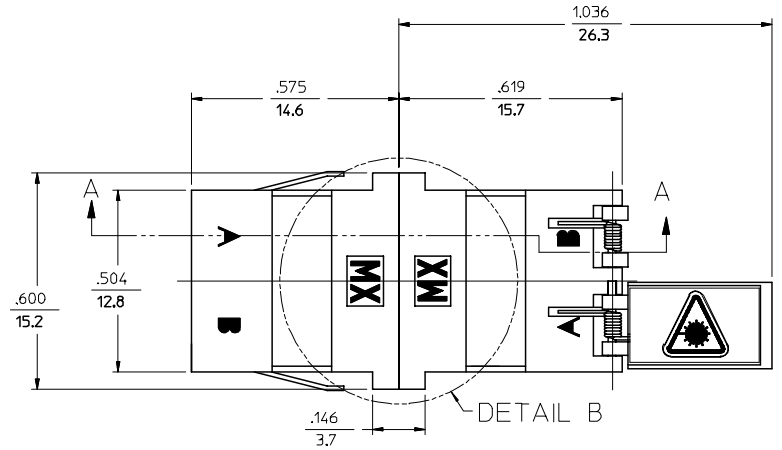


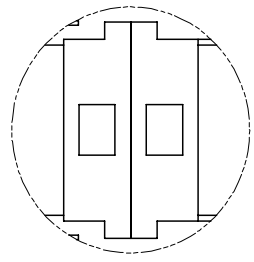
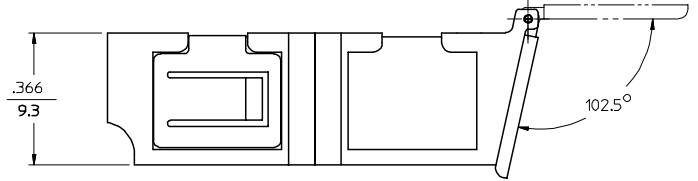
LC ADAPTER P/N	COLOR	SPOT SLEEVE MATERIAL	LOGO	
106127-1400	BLUE	Zr	MX	
106127-1430*				
106127-1420 (SEE NOTE 2)				
106127-0410	BEIGE	Ph, Bronze		
106127-1450	GREEN	Zr		
106127-1600	BLUE/METAL DOOR	Zr		
106127-0610	BEIGE/METAL DOOR	Ph, Bronze		
106127-1650	GREEN/METAL DOOR	Zr		
106127-1410	BLACK	Zr		NONE
106127-9410*	AQUA	Ph, Bronze		
106127-9010**				
106127-1950*	GREEN	Zr		
106198-2400	BLUE			
106127-9020**	BEIGE	Ph, Bronze		
106198-2410				
106127-9000**				
106127-1610	AQUA/METAL DOOR	Ph, Bronze	MX	
106127-9030	AQUA	Zr	NONE	



SECTION A-A



RECOMMENDED MOUNTING CUTOUT FOR .063 MAX. THICK PANEL



DETAIL B (NO LOGO VERSION)

NOTES:

- DUST CAPS ARE NOT SHOWN, BUT INCLUDED.
- FOR P/N 106127-1420 LASER WARNING LABEL IS SUPPLIED UNATTACHED AND SHALL BE INSTALLED BY CUSTOMER.
- *3. P/Ns 106127-9410, 106127-1950 AND 106127-1430 ARE BULK PACKED IN QUANTITIES OF 100pcs.
- **4. P/Ns 106127-9000, 106127-9010 AND 106127-9020 ARE FIRST INDIVIDUALLY PACKED IN CLEAR NON-MARKED BAGS AND THEN BULK PACKED IN QUANTITIES OF 100pcs.

ENTER DESCRIPTION FCC NO: MF2007-0426 DRAWN/REV: ZNER 2007/01/08 CHKD: 2007/01/09 APPR: JGUMIN 2007/01/11 REVISIONS:	QUALITY SYMBOLS = 0 = 0	GENERAL TOLERANCES (UNLESS SPECIFIED) <table border="1"> <thead> <tr> <th></th> <th>mm</th> <th>INCH</th> </tr> </thead> <tbody> <tr> <td>4 PLACES</td> <td>± .15</td> <td>± .005</td> </tr> <tr> <td>3 PLACES</td> <td>± .10</td> <td>± .003</td> </tr> <tr> <td>2 PLACES</td> <td>± .07</td> <td>± .002</td> </tr> <tr> <td>1 PLACE</td> <td>± .05</td> <td>± .001</td> </tr> </tbody> </table>		mm	INCH	4 PLACES	± .15	± .005	3 PLACES	± .10	± .003	2 PLACES	± .07	± .002	1 PLACE	± .05	± .001	DIMENSION STYLE IN/MM	SCALE 3:1	DESIGN UNITS INCH	THIRD ANGLE PROJECTION
		mm	INCH																		
4 PLACES	± .15	± .005																			
3 PLACES	± .10	± .003																			
2 PLACES	± .07	± .002																			
1 PLACE	± .05	± .001																			
DRAFT WHERE APPLICABLE MUST REMAIN WITHIN DIMENSIONS	DRAWN BY PGIBLIN	DATE 2005/10/05	CHECKED BY DATE	APPROVED BY DATE	MATERIAL NO. SEE TABLE	DOCUMENT NO. SD-106127-YYYO	SHEET NO. 1 OF 1														

molex MOLEX INCORPORATED

THIS DRAWING CONTAINS INFORMATION THAT IS PROPRIETARY TO MOLEX INCORPORATED AND SHOULD NOT BE USED WITHOUT WRITTEN PERMISSION