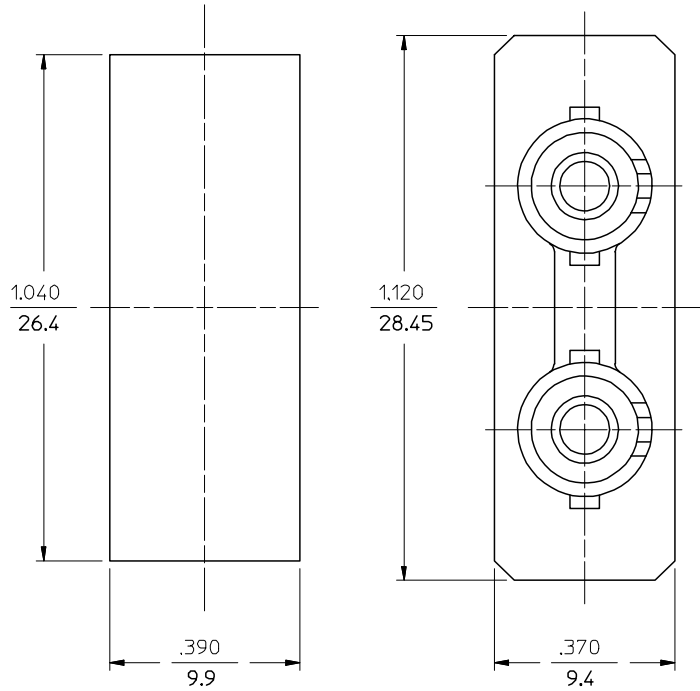
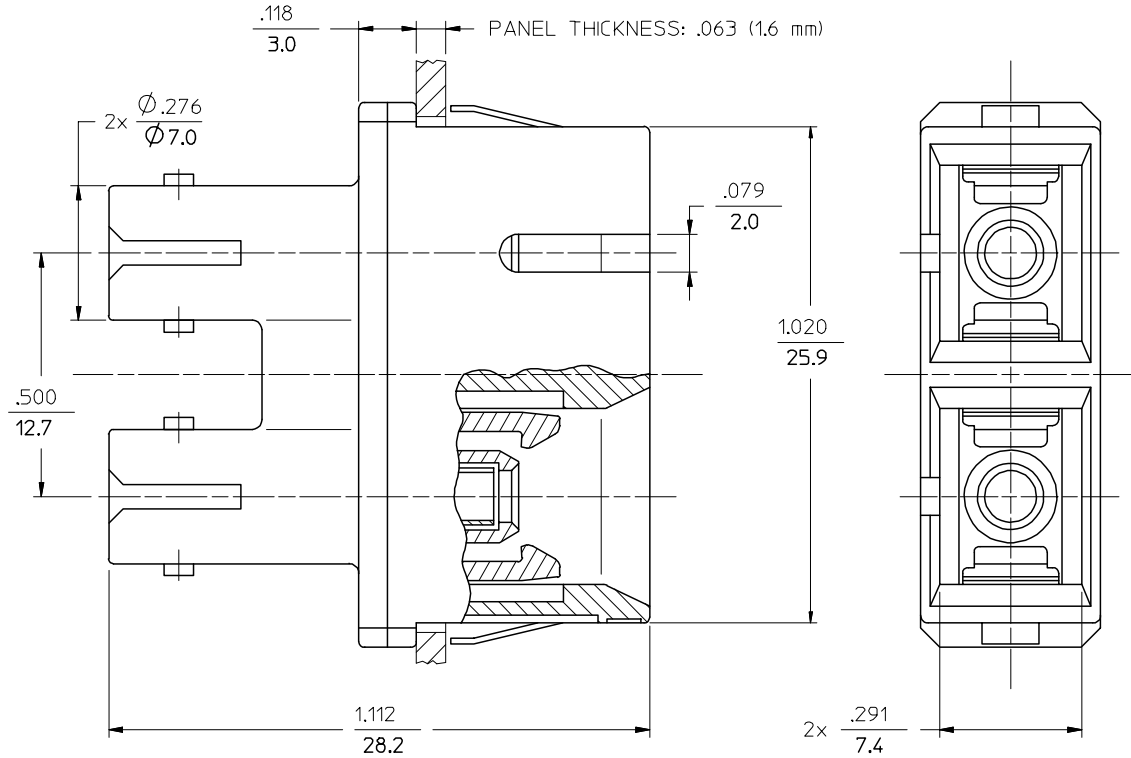


P/N OF ADAPTER	MATERIAL OF SLEEVE	TYPE	COLOR
106166-1100	ZR	SINGLE MODE	BLUE
106167-1100	PHOSPHOR BRONZE		
106166-1110	ZR	MULTIMODE	BEIGE
106167-1110	PHOSPHOR BRONZE		
106166-1130	ZR		
106167-1130	PHOSPHOR BRONZE		
106167-1120	ZR		AQUA



RECOMMENDED MOUNTING HOLE

NOTES:  
DUST CAPS ARE NOT SHOWN, BUT INCLUDED.



ENTER DESCRIPTION EC NO: MF2006-0237 DRWN:PGIBLIN CHKD: APPR:IGUMIN 2005/11/29 2005/11/29 2005/11/29	QUALITY SYMBOLS ▽=0 ▽=0	GENERAL TOLERANCES (UNLESS SPECIFIED) <table border="1"> <thead> <tr> <th></th> <th>mm</th> <th>INCH</th> </tr> </thead> <tbody> <tr> <td>4 PLACES</td> <td>± ---</td> <td>± ---</td> </tr> <tr> <td>3 PLACES</td> <td>± ---</td> <td>± ---</td> </tr> <tr> <td>2 PLACES</td> <td>± ---</td> <td>± ---</td> </tr> <tr> <td>1 PLACE</td> <td>± ---</td> <td>± ---</td> </tr> </tbody> </table>		mm	INCH	4 PLACES	± ---	± ---	3 PLACES	± ---	± ---	2 PLACES	± ---	± ---	1 PLACE	± ---	± ---	DIMENSION STYLE IN/MM	SCALE 4:1	DESIGN UNITS INCH	THIRD ANGLE PROJECTION
		mm	INCH																		
	4 PLACES	± ---	± ---																		
	3 PLACES	± ---	± ---																		
2 PLACES	± ---	± ---																			
1 PLACE	± ---	± ---																			
DESCRIPTION A	DRAFT WHERE APPLICABLE MUST REMAIN WITHIN DIMENSIONS	DRAWN BY RPACIFICI	DATE 2005/10/11	TITLE DUPLEX ADAPTER (SC-D/ST, FLANGELESS)																	
		CHECKED BY 	DATE 	MOLEX INCORPORATED																	
		APPROVED BY 	DATE 	MATERIAL NO. SEE TABLE	DOCUMENT NO. SD-10616X-11X0	SHEET NO. 1 OF 1															